

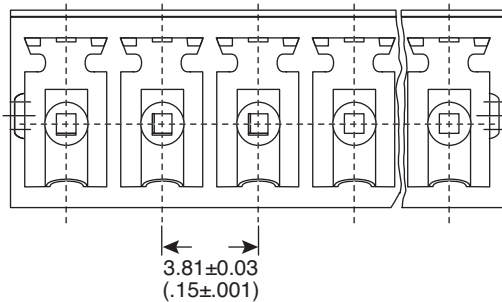
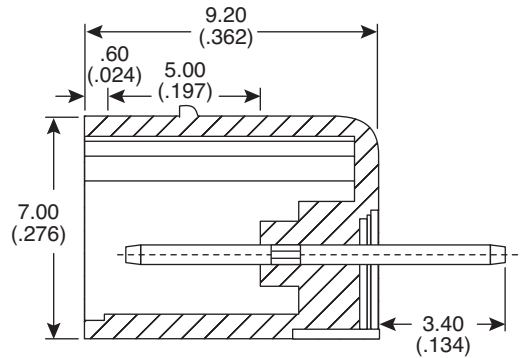
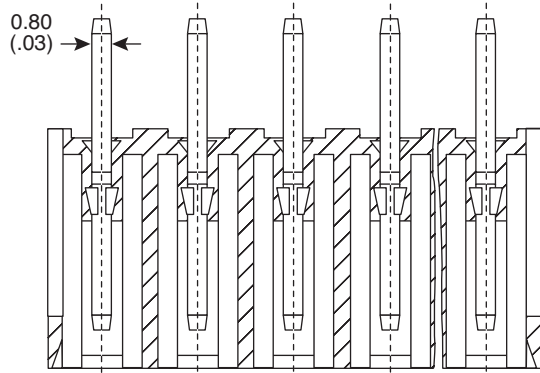
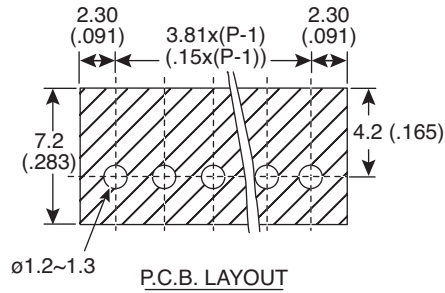
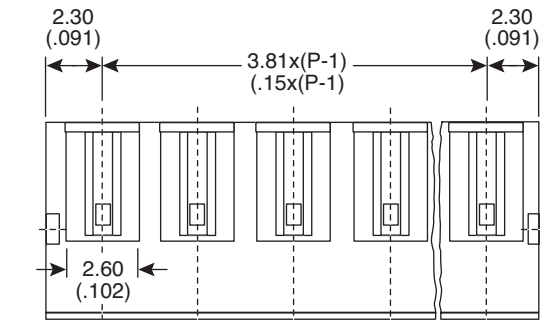
Terminal Blocks

158-P02ECH381VH-E, 158-P03ECH381VH-E, 158-P04ECH381VH-E, 158-P05ECH381VH-E,
158-P06ECH381VH-E, 158-P07ECH381VH-E, 158-P08ECH381VH-E, 158-P09ECH381VH-E,
158-P10ECH381VH-E, 158-P11ECH381VH-E, 158-P12ECH381VH-E



Terminal Blocks

158-P02ECH381VH-E, 158-P03ECH381VH-E, 158-P04ECH381VH-E, 158-P05ECH381VH-E, 158-P06ECH381VH-E, 158-P07ECH381VH-E,
158-P08ECH381VH-E, 158-P09ECH381VH-E, 158-P10ECH381VH-E, 158-P11ECH381VH-E, 158-P12ECH381VH-E



Dimensions: mm (in.)

SPECIFICATIONS

Rating:	300V 8A
Pitch:	3.81 mm
Insulation Withstand Voltage:	1000 VAC min.
Insulation Resistance:	1000 MΩ or more @ 500VDC
Temperature Range:	-40°C ~ +130°C
Solder Pin:	Copper, tin plated
Housing:	PBT, green

RoHS Compliant

Date Last Revised: 4-13-07

Available from Mouser Electronics
1-800-346-6873 / www.mouser.com

KC- 301126

Specifications are subject to change without notice. No liability or warranty implied by this information. Environmental compliance based on producer documentation.

Mouser Electronics

Authorized Distributor

Click to View Pricing, Inventory, Delivery & Lifecycle Information:

[Kobiconn:](#)

[158-P05ECH381VH-E](#) [158-P12ECH381VH-E](#) [158-P03ECH381VH-E](#) [158-P07ECH381VH-E](#) [158-P08ECH381VH-E](#)
[158-P11ECH381VH-E](#) [158-P06ECH381VH-E](#) [158-P02ECH381VH-E](#) [158-P10ECH381VH-E](#) [158-P09ECH381VH-E](#)
[158-P04ECH381VH-E](#)