

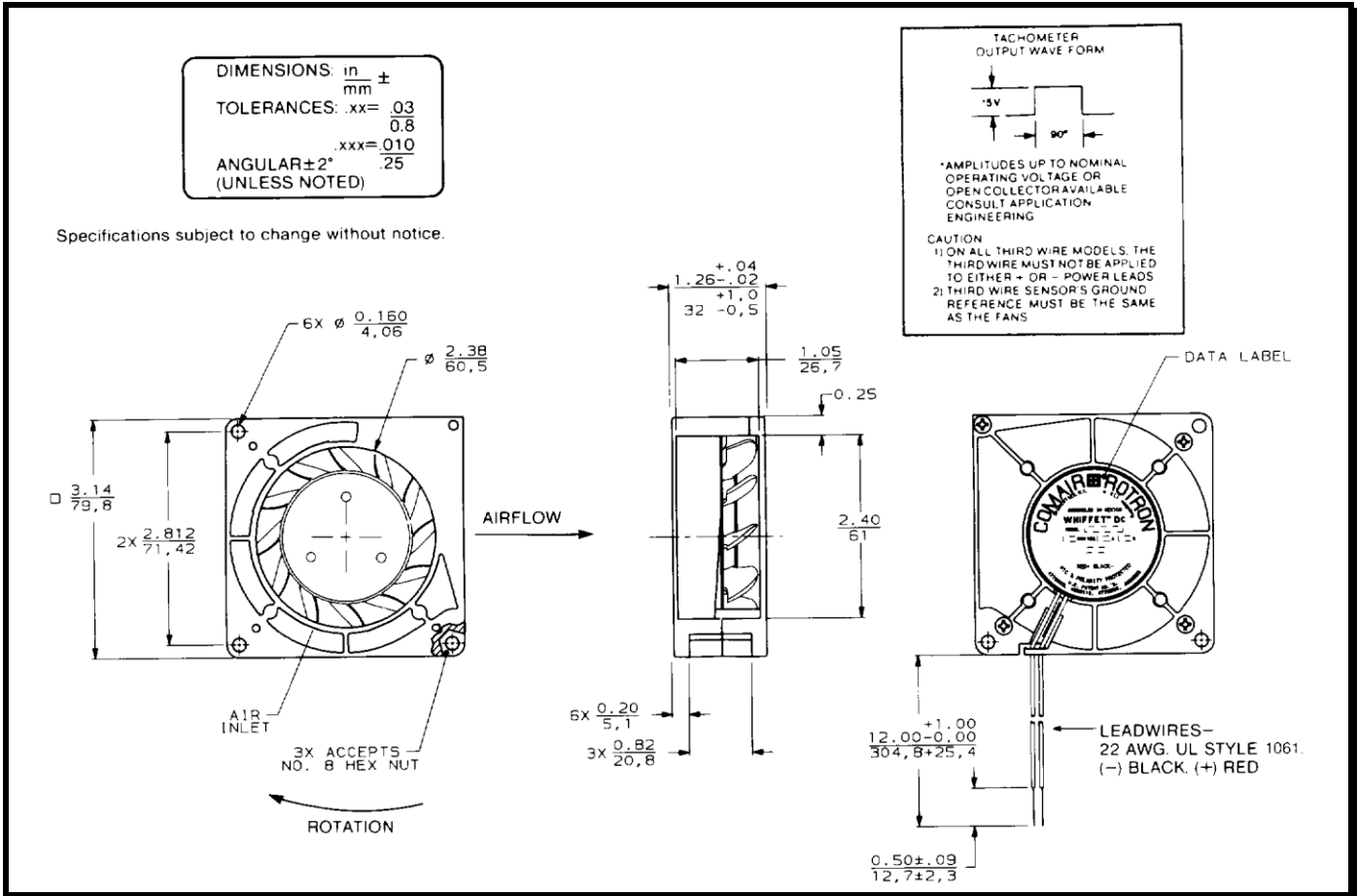
SPECIFICATIONS



Model Number: WT24B3
Part Number: 19031102A

Version: 01
Jan 12, 2018

Mechanical Drawing:



Motor:

Nominal Voltage	= 24 vdc
Operating Voltage Range	= 12 - 28 vdc
Nominal Running Current	= 0.200 amps
Max. Locked Rotor Current	= 0.630 amps
Running Power	= 4.8 watts
Average Speed	= 4050 RPM
Bearings	= Ball
Air Flow	= 15 CFM
Acoustic	= 51.4 dBA

Construction:
 Venturi: Plastic, Black, UL 94V-0
 Propeller: Plastic, Black, UL 94V-0

Life Expectancy:
 This fan is designed for continuous duty life of 55,000 hours at 70°C.

Additional Features:

- Brushless DC Motor
- Locked Rotor Protection
- Polarity Protected
- Automatic Restart Capability
- Operating Temperature: -10°C to 70°C
- Storage Temperature: -40°C to 85°C

Termination:
 12" Lead wires, AWG 22, UL 1061
 Red = Power (+)
 Black = Return (-)

Agency Approvals:
 UL, CUL, CE

PQ Curve:

