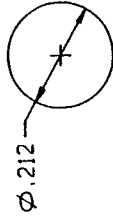


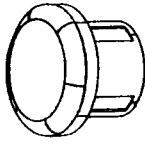
REV	ECR NO./DESCRIPTION	DATE
A	11781 NEW RELEASE	06/16/95
B	12010 PAP SALES DRAWING	08/17/95

MOUNTING HOLE PATTERN
SCALE 4 : 1

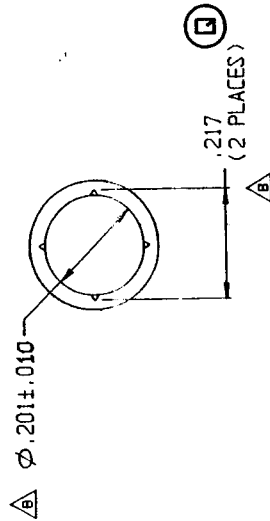
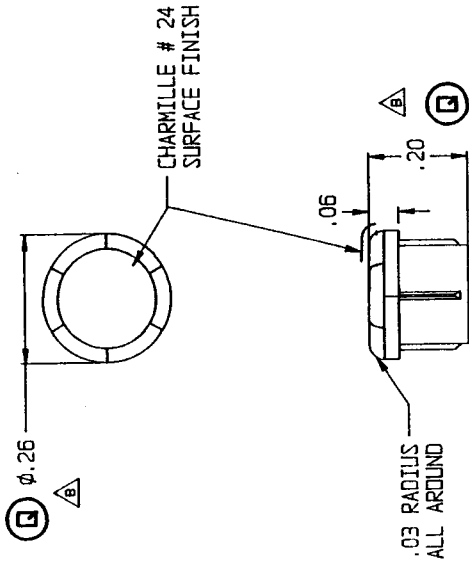


NOTES:

- LED TYPE TBD.
- MATERIAL: CLEAR POLYCARBONATE 94-V2.



ISOMETRIC VIEW
FOR REFERENCE ONLY
SCALE 4 : 1



THIS Dwg IS THE PROPERTY
OF INDUSTRIAL DEVICES, INC.
AND IS PROPRIETARY IN
GENERAL AND IN DETAIL.
IT SHALL NOT BE COPIED
OR ITS CONTENTS REVEALED
TO OUTSIDE PARTIES WITH-
OUT THE WRITTEN CONSENT
OF INDUSTRIAL DEVICES, INC.

DO NOT SCALE

FOR INSPECTION USE ONLY
SPEC DOCUMENTATION REQ. (X R CHARTS)

OCT 10 2000

DEST. S

PART NO.	MODEL NO. 7511A1B	TITLE	LIGHTPIPE FOR UNGERMAN-BASS
MATERIAL	SEE NOTES	INDUSTRIAL DEVICES, INC. HACKENSACK, NEW JERSEY	
FINISH:		DRAWN M. VALZANIA	SCALE: 4 : 1
TOLERANCE UNLESS OTHERWISE SPECIFIED:		CHECKED <i>LLI</i> 8-23-95	REV B
FRACTION	$\pm 1/64$	ENG. APPRY <i>AS</i>	B12777
DIMENSIONS	$\pm .001$ (0.25)		
ANGLE	± 1 deg.		

Mouser Electronics

Authorized Distributor

Click to View Pricing, Inventory, Delivery & Lifecycle Information:

VCC:

7511A18