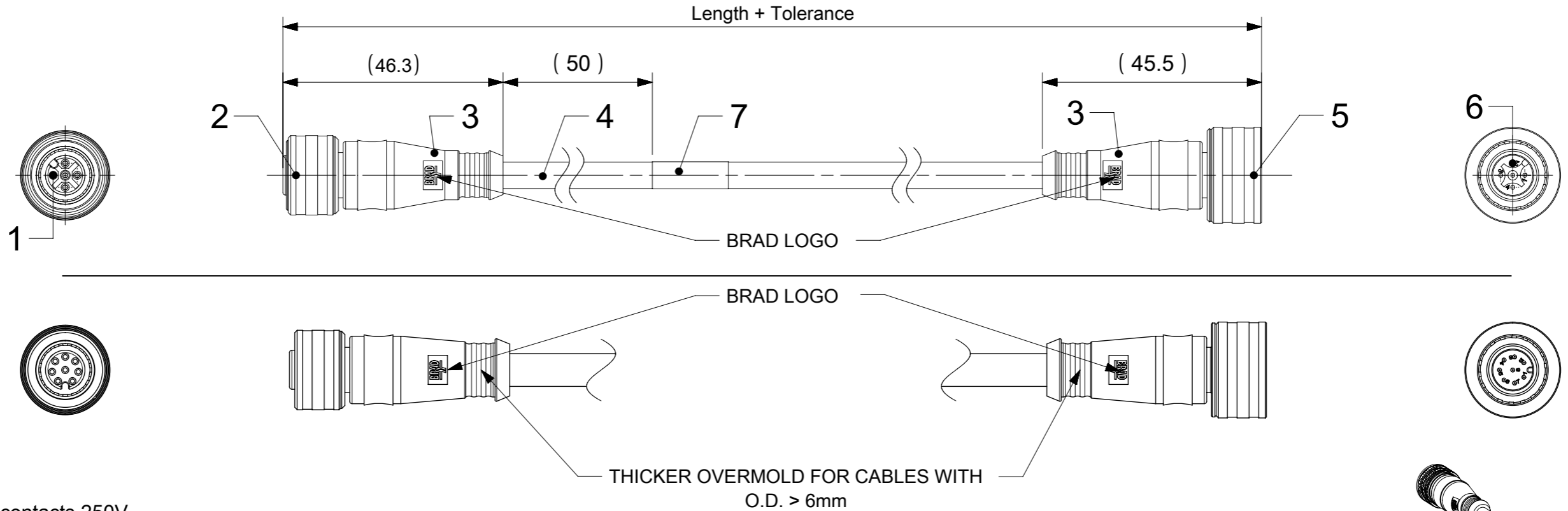


FEMALE PLUG M12U STRAIGHT TO MALE PLUG M12U STRAIGHT



NOTES:

- RATED VOLTAGE: 3, 4 contacts 250V
5 contacts 60V
8 contacts 30V
- RATED CURRENT: 3, 4, 5 contacts 4A
8 contacts 2A
- PROTECTION CLASS: IP 67
- TEMPERATURE: -25°C / +80°C

CONTACTS POSITION FRONT VIEW:

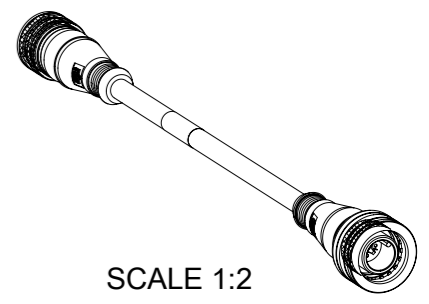
	3 CONTACTS		4 CONTACTS		5 CONTACTS		8 CONTACTS	
FEMALE								
MALE								
CONNECTIONS	PIN	WIRE	PIN	WIRE	PIN	WIRE	PIN	WIRE
	1	BROWN	1	BROWN	1	BROWN	1	WHITE
	2	-	2	WHITE	2	WHITE	2	BROWN
	3	BLUE	3	BLUE	3	BLUE	3	GREEN
	4	BLACK	4	BLACK	4	BLACK	4	YELLOW
					5	GREY OR GREEN/YELLOW	5	GREY
							6	PINK
							7	BLUE
						8	RED	

CODING REQUIRED TO IEC 61076-2-101

FOR OPTIONS SEE - NUMERICAL CODE - ON SHEET 2

ITEM	QTY.	DESCRIPTION	MATERIAL	FINISH
7	1	LABEL YELLOW	VINYL	-
6	3 / 4 / 5 / 8	CONTACT MALE	BRASS	SELECTIVE GOLD OVER NICKEL
5	1	PLUG U12 MALE XP	PUR, BRASS	-
4	-	CABLE	SEE SHEET 2	-
3	-	OVERMOULDING BLACK	TPU	-
2	1	PLUG U12 FEMALE XP	PUR, BRASS	-
1	3 / 4 / 5 / 8	CONTACT FEMALE	BRASS	SELECTIVE GOLD OVER NICKEL

QUALITY SYMBOLS FA = 0 FE = 0 FF = 0 FV = 0 FC = 0 FX = 0 FS = 0 FT = 0	THIS DRAWING CONTAINS INFORMATION THAT IS PROPRIETARY TO MOLEX ELECTRONIC TECHNOLOGIES, LLC AND SHOULD NOT BE USED WITHOUT WRITTEN PERMISSION		DIMENSION UNITS: mm SCALE: 1:1		
	GENERAL TOLERANCES (UNLESS SPECIFIED) ANGULAR TOL ± 1.0 °		DRWN BY: MKOWALCZYK01 DATE: 2017/05/18		
	4 PLACES ± 3 PLACES ± 2 PLACES ± 0.05 1 PLACE ± 0.3 0 PLACES ± 0.5		CHK'D BY: MIWASIECZKO DATE: 2017/05/31		
	DRAFT WHERE APPLICABLE MUST REMAIN WITHIN DIMENSIONS		DRAWING SIZE: A3 THIRD ANGLE PROJECTION		
EC NO: 178454 DRWN: SSM CHK'D: SSM REV APPR: RSILLER 2018/06/21 2018/06/27 2018/06/28		PRODUCT CUSTOMER DRAWING		SERIES: 120080 MATERIAL NUMBER: SEE MATRIX CUSTOMER: GENERAL MARKET	
RELEASE STATUS: P1 RELEASE DATE: 2018/06/28 06:17:11		DOCUMENT NUMBER: 1200805076 DOC TYPE: PSD DOC PART: 00P SHEET NUMBER: 1 OF 3			



ENGINEERING NO. - NUMERICAL CODE

OPTIONS

W W X 0 3 0 X X X M X X X X X

- W = M12 Ultra-Lock
- W = M12 Ultra-Lock
- Contacts:
3=3 Contacts
4=4 Contacts
5=5 Contacts
8=8 Contacts
- Heads style:
030=Plug Female Straight to Plug Male Straight
- Cable type: See Table
- Units:
M=Meter
- Length
Examples:
005=0.5 unit
010=1 unit
100=10 units
- Overmold color:
Blank (Standard)=Black
A=Grey / G=Black / Y=Yellow
H=2x ID CARRIER

CABLE INFORMATION

CABLE TYPE	NO. OF WIRES	CROSS SECTION	CABLE JACKET	UL	CSA	STATIC: TEMP. / BENDING RADIUS	DYNAMIC: TEMP. / BENDING RADIUS	DRAG CHAIN	SHIELD
E03	3 / 4 / 5	0.34mm ²	PVC BLACK	UL 2464/1729	C22.2 I/II A/B 80°C/300V	-30°C to +80°C, 10xO.D.	-10°C to +80°C, 15xO.D.	-	-
H08	3 / 4 / 5 / 8	0.25mm ²	PUR BLACK LS0H	UL 21198/10493	C22.2 I/II A/B 80°C/300V	-40°C to +80°C, 5xO.D.	-25°C to +80°C, 10xO.D.	2 000 000 cycles at 20°C, Temp. range +5°C to +60°C	-
H09	3 / 4 / 5	0.34mm ²	PUR BLACK LS0H	UL 21198/10493	C22.2 I/II A/B 80°C/300V	-40°C to +80°C, 5xO.D.	-25°C to +80°C, 10xO.D.	2 000 000 cycles at 20°C, Temp. range +5°C to +60°C	-
P02	3 / 4 / 5 / 8	0.25mm ²	PUR / PVC BLACK	-	-	-30°C to +80°C, 7xO.D.	-5°C to +80°C, 15xO.D.	-	-
P03	3 / 4 / 5	0.34mm ²	PUR / PVC BLACK	-	-	-30°C to +80°C, 7xO.D.	-5°C to +80°C, 15xO.D.	-	-
P82	5	0.34mm ²	PUR / IRR ORANGE	-	-	-50°C to +105°C, 5xO.D.	-40°C to +105°C, 7.5xO.D.	-	-

CABLE LENGTH TOLERANCES

OVER [mm]	UP TO AND INCLUDING [mm]	TOLERANCES [mm]
0	305	+19
305	915	+45
915	1830	+56
1830	3660	+89
3660	7320	+165
7320	14640	+317
14640	30500	+610
30500	>	+2% of finished length

THIS DRAWING CONTAINS INFORMATION THAT IS PROPRIETARY TO MOLEX ELECTRONIC TECHNOLOGIES, LLC AND SHOULD NOT BE USED WITHOUT WRITTEN PERMISSION

QUALITY SYMBOLS 	EC NO: 178454 DRWN: SSM CHK'D: SSM APPR: RSILLER	2018/06/21 2018/06/27 2018/06/28	GENERAL TOLERANCES (UNLESS SPECIFIED) ANGULAR TOL ± 1.0 ° 4 PLACES ± 3 PLACES ± 2 PLACES ± 0.05 1 PLACE ± 0.3 0 PLACES ± 0.5	DIMENSION UNITS mm	SCALE 1:1	 M12U-XP-FE-STR-XP-M-STR-XM	
				DRWN BY MKOWALCZYK01	DATE 2017/05/18		PRODUCT CUSTOMER DRAWING
				CHK'D BY MIWASIECZKO	DATE 2017/05/31		
				APPR BY MIWASIECZKO	DATE 2017/05/31		DRAWING SIZE: A3 THIRD ANGLE PROJECTION:
			DRAFT WHERE APPLICABLE MUST REMAIN WITHIN DIMENSIONS			DOCUMENT NUMBER: 1200805076 DOC TYPE: PSD DOC PART: 00P SHEET NUMBER: 2 OF 3	

PART LIST

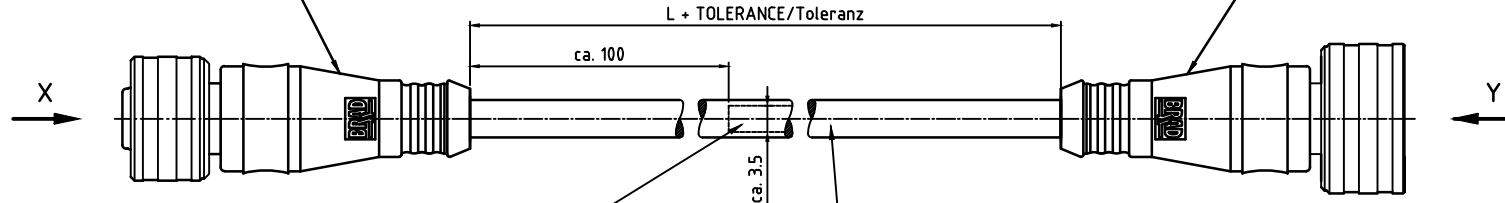
NO.	MOLEX PN	ENGINEERING NO.	LENGTH
1	1200808154	WW5030P82M020	2M
2	1200808155	WW5030P82M030	3M
3	1200808156	WW5030P82M050	5M
4	1200808157	WW5030P82M070	7M
5	1200808158	WW5030P82M100	10M
6	1200210002	WW4030E03M050	5M
7	1200800469	WW4030E03M010	1M
8	1200800470	WW4030E03M020	2M
9	1200805076	WW5030E03M010	1M
10	1200808016	WW5030E03M050	5M
11	1200805018	WW4030P03M020	2M
12	1200805022	WW4030P03M005	0.5M
13	1200805044	WW4030P03M006	0.6M
14	1200805049	WW5030P03M006	0.6M
15	1200805050	WW5030P03M010	1M
16	1200805051	WW5030P03M020	2M
17	1200808115	WW4030P03M018	1.8M
18	1200808133	WW5030P03M100	10M
19	1200805019	WW5030P03M050	5M
20	1200805048	WW4030P03M050	5M
21	1200805052	WW5030P03M030	3M
22	1200805053	WW5030P03M040	4M
23	1200808070	WW5030P03M050A	5M
24	1200808071	WW5030P03M020A	2M
25	1200805083	WW8030P02M010	1M
26	1200805096	WW8030P02M020	2M
27	1200808043	WW5030P02M003G	0.3M
28	1200805097	WW8030P02M050	5M
29	1200808072	WW8030P02M020A	2M
30	1200808073	WW8030P02M050A	5M
31	1200808129	WW8030P02M0208	2M

NO.	MOLEX PN	ENGINEERING NO.	LENGTH
32	1200808026	WW3030H09M010	1M
33	1200808031	WW4030H09M010	1M
34	1200808039	WW5030H09M010	1M
35	1200808107	WW5030H09M020	2M
36	1200808033	WW8030H08M010	1M
37	1200808139	WW8030H08M020	2M
38	1200808140	WW8030H08M050	5M
39	1200798157	WW5030E03M100	10M
40	1200798158	WW8030H08M100	10M
41	1200210001	WW4030E03M100	10M
42	1200808015	WW5030E03M020	2M

QUALITY SYMBOLS 	THIS DRAWING CONTAINS INFORMATION THAT IS PROPRIETARY TO MOLEX ELECTRONIC TECHNOLOGIES, LLC AND SHOULD NOT BE USED WITHOUT WRITTEN PERMISSION										
	2018/06/21 DRWN: SSM 2018/06/27 CHK'D: SSM 2018/06/28 APPR: RSILLER	GENERAL TOLERANCES (UNLESS SPECIFIED)		DIMENSION UNITS	SCALE	 M12U-XP-FE-STR-XP-M-STR-XM PRODUCT CUSTOMER DRAWING SERIES: 120080 MATERIAL NUMBER: SEE MATRIX CUSTOMER: GENERAL MARKET DOCUMENT NUMBER: 1200805076 DOC TYPE: PSD DOC PART: 00P SHEET NUMBER: 3 OF 3					
		ANGULAR TOL ± 1.0 °		mm	1:1						
		4 PLACES ±	DRWN BY: MKOWALCZYK01 DATE: 2017/05/18								
		3 PLACES ±	CHK'D BY: DATE:								
		2 PLACES ± 0.05	APPR BY: MIWASIECZKO DATE: 2017/05/31								
	1 PLACE ± 0.3	DRAWING SIZE: A4		THIRD ANGLE PROJECTION							
	0 PLACES ± 0.5	DRAFT WHERE APPLICABLE MUST REMAIN WITHIN DIMENSIONS									

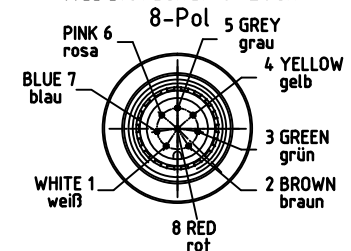
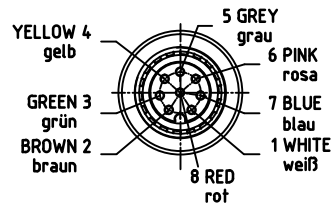
OVERMOLD PUR, COLOUR SEE TABLE
Umspritzung PUR, Farbe siehe Tabelle

OVERMOLD PUR, COLOUR SEE TABLE
Umspritzung PUR, Farbe siehe Tabelle



VIEW X / Ansicht X
MATING SIDE
FEMALE CABLE CONNECTOR U-LOCK
Steckseite
Kabeldose U-Lock
8-Pol

VIEW Y / Ansicht Y
MATING SIDE
MALE CABLE CONNECTOR U-LOCK
Steckseite
Kabelstecker U-Lock
8-Pol



CABLE PRINTING:
Kabelbedruckung: Molex ... X..

CABLE/Leitung PUR/PVC BLACK/sw 8x0.25mm; D6,7

PROD. DATE / Fertigungsdatum

GENERAL CHARACTERISTICS		Allgemeine Kennwerte	STANDARD Norm
NUMBER OF CONTACTS	Polzahl	Kontaklanordnung	IEC 60947-5-2
CONTACT CONFIGURATION			8
RATED VOLTAGE	Bemessungsspannung		IEC 60664-1
POLLUTION DEGREE	Verschmutzungsgrad		IEC 60664-1
CURRENT CARRYING CAPAC.	Betriebsstrom		IEC 60512-3
CONTACT RESISTANCE	Durchgangswiderstand		IEC 60512-2
RATED IMPULSE WITHSTAND VOLTAGE	Bemessungsstoßspannung		IEC 60664-1
TEST VOLTAGE	Prüfspannung		IEC 60512-2
INSULATION RESISTANCE	Isolationswiderstand		IEC 60512-2
IP DEGREE OF PROTECTION	IP-Schutzart		IEC 60529
PIN DIAMETER	Stiftdurchmesser		0,8 mm
MATERIALS	CONTACTS	Kontakte	BRASS / Messing
	CONTACTS PLATING	Kontaktoberfläche	Ni/Au
	DIELECTRIC MATERIAL	Kontaktträger	PUR
	HOUSING (OVERMOLD)	Gehäuse (Umspritzung)	PUR
	GASKETS (O-RING)	Dichtung (O-Ring)	VITON
FLAMMABILITÄT	PUSH SLEEVE	Schiebehülse	CuZn (BRASS) WITH/mit NICKEL PLATED / Ni-Oberfläche
TERMINATION	Anschlussart		Crimp
MECHANICAL OPERATION	INSERTS	Kontaktträger	UL 94
	HOUSING (OVERMOLD)	Gehäuse (Umspritzung)	HB
TEMPERATURE RANGE	Temperaturbereich		IEC 60668-1

PART-NUMBER	ENGINEERING-NO.	OVERMOLD COLOUR	LENGTH L
Teile-Nummer	Engineering Nr.:	Umspritzungsfarbe	Länge L
1200805083	WW8030P02M010	BLACK/schwarz	1000 +20/-10
1200805096	WW8030P02M020	BLACK/schwarz	2000 ±25
1200805097	WW8030P02M050	BLACK/schwarz	5000 ±25

(...) DIM. FOR INFORMATION
(...) Informationsmaß

DESCRIPTION	QUALITY SYMBOLS	GENERAL TOLERANCES (UNLESS SPECIFIED)		DIMENSION STYLE	SCALE	DESIGN UNITS	THIRD ANGLE PROJECTION
		mm	INCH	MM ONLY	2:1	METRIC	
EC NO.: IPG2015-0241 DRWN: BBRACH 06.08.14 CHKD: REISSNER 2014/08/07 APPR: CBUJER 2010/03/18	▽ = 0 ▽ = 0	4 PLACES ±---	±---	LSTEMMLE	DATE	CSE U12 8P FE STR PUR	
		3 PLACES ±---	±---	CHECKED BY	DATE	MA STR XM BK	
3	REV	2 PLACES ±---	±---	NS	DATE	molex	
		1 PLACE ±0.3	±---	APPROVED BY	DATE	SD-120080-055	
		0 PLACE ±---	±---	FPACHER	DATE	SHEET NO. 1 OF 1	
DRAFT WHERE APPLICABLE MUST REMAIN WITHIN DIMENSIONS		ANGULAR ± --- °		SEE TABLE		DOCUMENT NO.	
				SIZE A2		THIS DRAWING CONTAINS INFORMATION THAT IS PROPRIETARY TO MOLEX INCORPORATED AND SHOULD NOT BE USED WITHOUT WRITTEN PERMISSION	

Mouser Electronics

Authorized Distributor

Click to View Pricing, Inventory, Delivery & Lifecycle Information:

[Molex:](#)

[1200805083](#)