

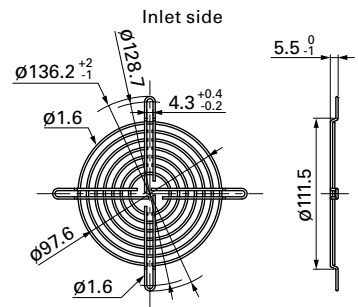
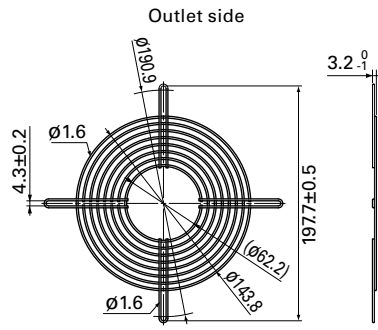
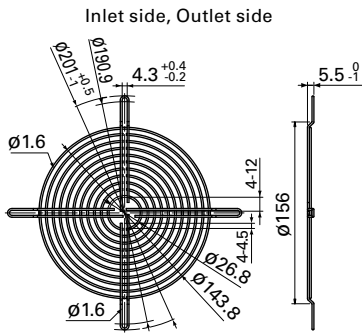
**150 mm sq. type**

Model no.	Surface treatment	Mass (g)
109-1051	Nickel-chrome plating (silver)	63

Model no.	Surface treatment	Mass (g)
109-1052	Nickel-chrome plating (silver)	53

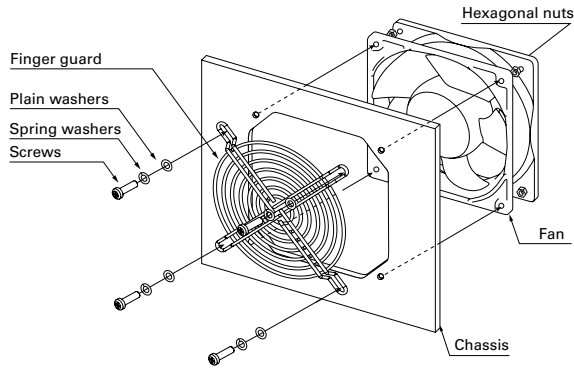
**ø150 mm type**

Model no.	Surface treatment	Mass (g)
109-1104	Nickel-chrome plating (silver)	31
109-1104H	Cation electropainting (black)	



**Mounting example**

Axial fan



Centrifugal fan

