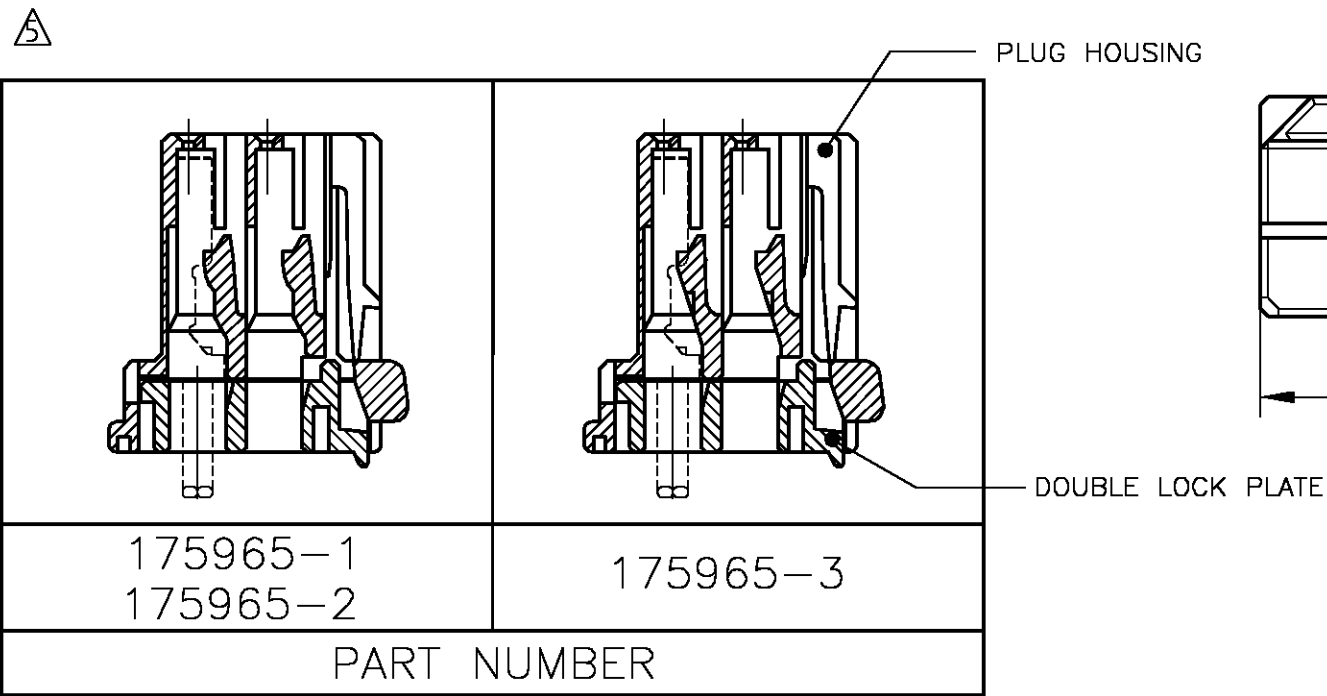
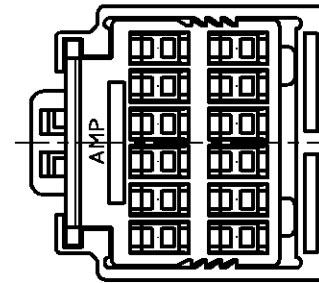
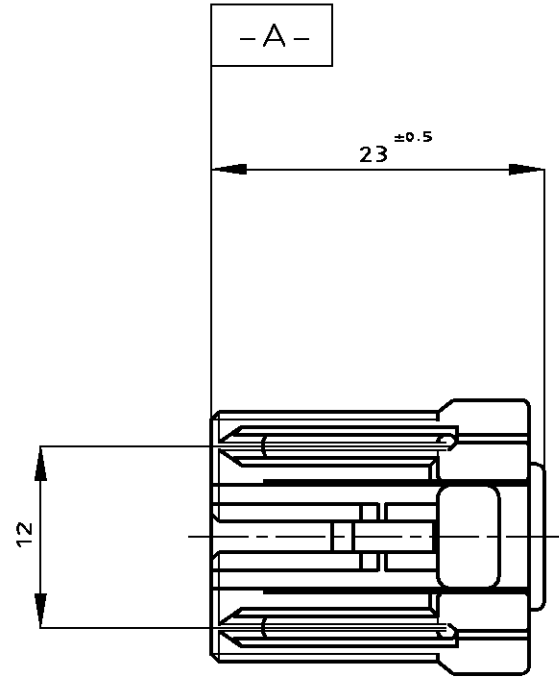
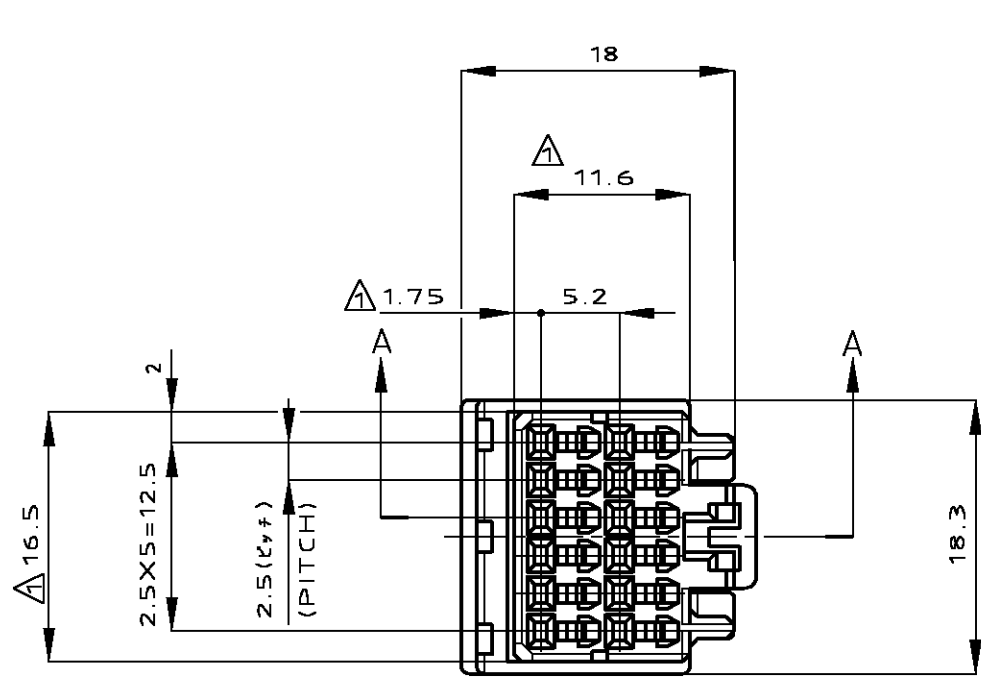


THIS DRAWING IS UNPUBLISHED. RELEASED FOR PUBLICATION
 © COPYRIGHT BY TYCO ELECTRONICS CORPORATION. ALL RIGHTS RESERVED.

LOC	DIST	REVISIONS					
		P	LTR	DESCRIPTION	DATE	DWN	APVD
J	—	B1	REVISED	FJA0-0891-04	06DEC04	TS	KB



- △ MUST BE KEPT BETWEEN **-Z-** AND 2mm
- 2 THE MATING CAP HSG. PART NUMBER; 175974, 175976
- 3 APPLIED CONTACT PART NUMBER; 173681
- 4 APPLICABLE PRODUCT SPEC NO.; 108-5281
- △ THIS PLUG HOUSING HAVE TWO KINDS OF LANCE TYPE.
- △ **-Z-** 面より2mmの範囲で測定。
- 2 かん合相手ハウジング型番; 175974, 175976
- 3 内装するリセプタクルコンタクト型番; 173681
- 4 適用製品規格番号; 108-5281
- △ 本プラグハウジングは2タイプのランス形状がある

BLACK	175965-3
BLACK	175965-2
WHITE	175965-1
COLOR	PART NUMBER

A-A

TOLERANCE UNLESS OTHERWISE SPECIFIED: 一般公差

0 < x ≤ 10	: ±0.2
10 < x ≤ 30	: ±0.25
30 < x ≤ 100	: ±0.3
ANGLE ; 角度	: ±3°

THIS DRAWING IS A CONTROLLED DOCUMENT.		DWN K. SUZUKI 24OCT89	Tyco Electronics AMP K.K. Kawasaki, Japan	
DIMENSIONS: 単位: 耗 MM		CHK Y. MATSUSAKA 19DEC89		
TOLERANCES UNLESS OTHERWISE SPECIFIED: 一般公差		APVD M. NOGUCHI 26DEC89	NAME 名称 040 SERIES MULTI-LOCK I/O CONNECTOR MK-II 12POSITION PLUG HOUSING ASSEMBLY	
		PRODUCT SPEC 製品規格 108-5281	APPLICATION SPEC 取付適用規格	
MATERIAL 材料 PBT		FINISH 仕上	WEIGHT 3.2 g	SIZE A3
		CUSTOMER DRAWING		SCALE 尺度 2:1
		DRAWING NO 番号 C-175965		RESTRICTED TO 番号
		SHEET 1 OF 1		REV B1