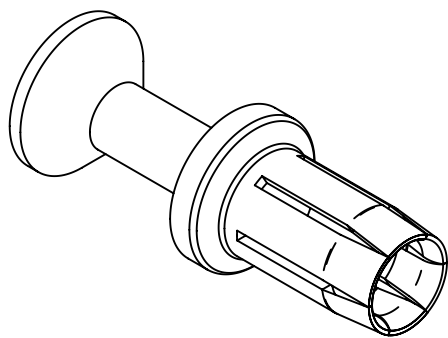


assembly notes see catalog
 crimp tool 09 99 000 0303 (without locator)
 for stranded fine wire acc. to VDE 0295 class 5/IEC 60228 class 5
 wire gauge: 6mm²
 stripping length: 15mm



 All Dimensions in mm Original Size DIN A4	Scale	Free size tol.		Ref.	
	2:1			Sub.	
 All rights reserved Department EL PD - DE	Created by	Inspected by	Standardisation	Date	State
	RULLKOETTER	SCHNIEDER	SCHMIDTM	2014-12-18	Final Release
Title Han TC70 female contact 6mm ²				Doc-Key / ECM-Nr. 100180779/UGD/004/D 500000083003	
HARTING Electric GmbH & Co. KG D-32339 Espelkamp		Type	Number	Rev.	Page
		TB	09 11 000 6230	D	1/1