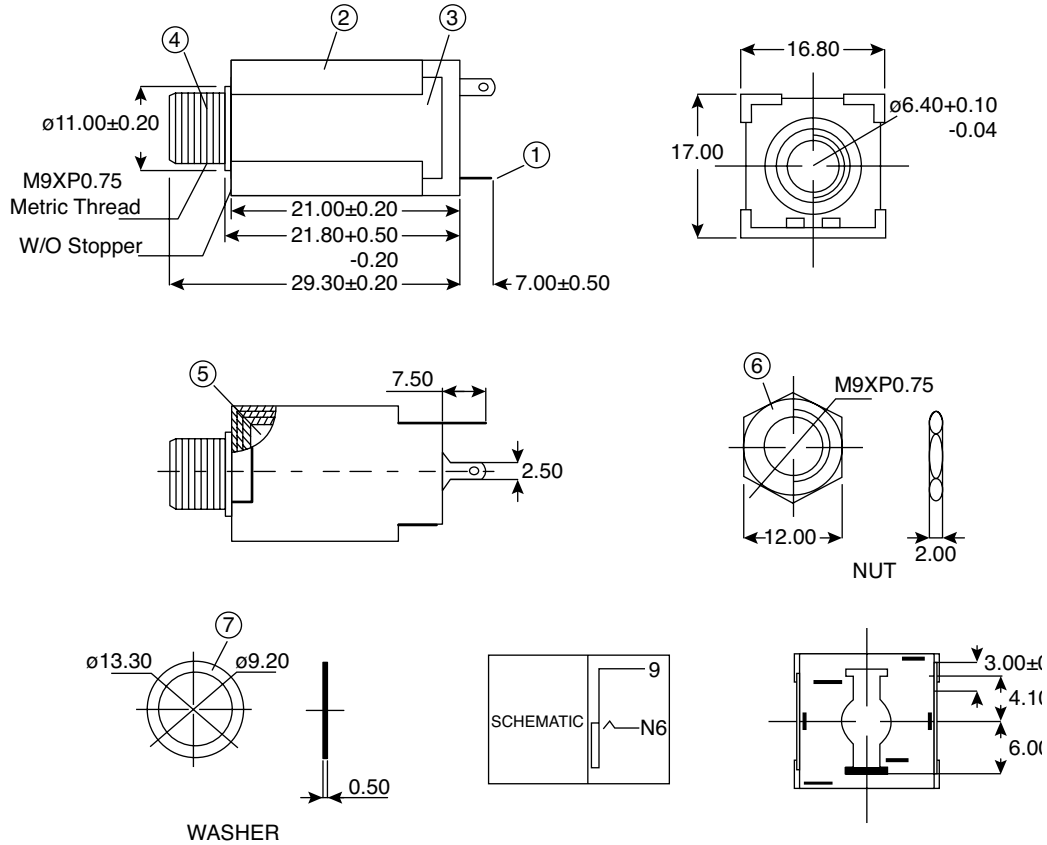


# 1/4" Phone Jack Mono Black

161-61013-E



1/4" Phone Jack Mono Black



Dimensions: mm

No.	Description	Material	Qty.	Finish
1	Tip Spring	0.35T Phosphor Bronze	1	Silver Plated
2	Housing	POM	1	Black Color
3	Cover	0.5T Steel	1	Nickel Plated
4	Barrel (w/ thread)	Brass	1	Nickel Plated
5	Insulator	Red Vulcanited Fibre	1	Red Color
6	Nut	2.0T Steel	1	Nickel Plated
7	Washer	0.5T Steel	1	Nickel Plated

## SPECIFICATIONS

<b>Contact Resistance:</b>	30mΩ max.
<b>Insulation Resistance:</b>	100MΩ min. at DC 500V
<b>Dielectric Withstanding Voltage:</b>	AC 500V for one minute
RoHS Compliant	

Date Last Revised: 03-07-12

Available from Mouser Electronics  
1-800-346-6873 / www.mouser.com

KC-301404

161-61013-E

# Mouser Electronics

Authorized Distributor

Click to View Pricing, Inventory, Delivery & Lifecycle Information:

[Kobiconn:](#)

[161-610I3-E](#)