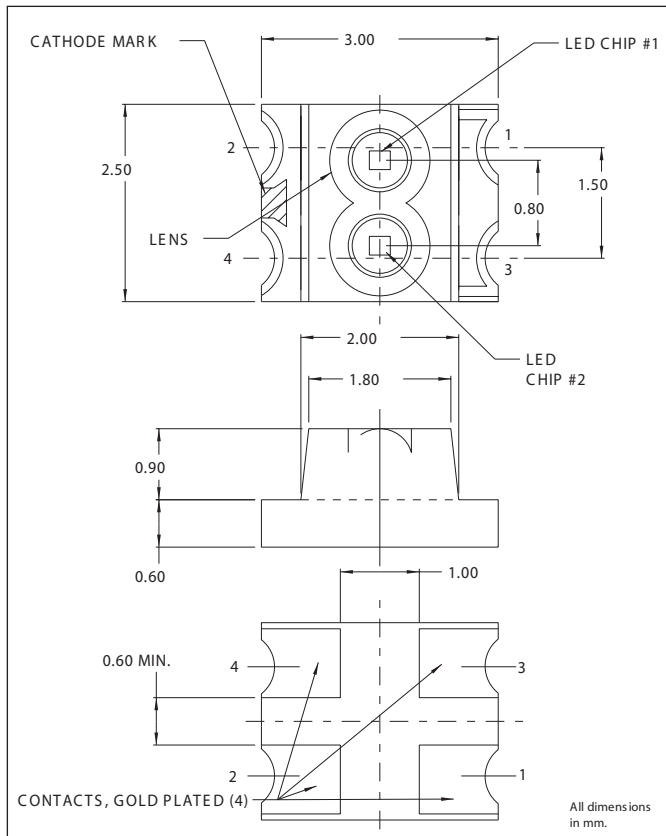


7011X Series Bicolor SMT LEDs

Description and Features



Surface Mount Technology

- Tape and reel packaged for high-speed autoinsertion.
- Convection and vapor-phase reflow compatible.
- Compact form enables high density placement.
- Packaged 2500 per reel.
- RoHS Compliant

Leading Edge LED Optoelectronic Performance

- Consistent high brightness.

Exceptional Reliability

- Stringent process controls assure quality.
 - Extensive qualification testing to meet strictest requirements.
 - Designed to permit easy post-reflow solder joint inspection.
- Refer to "Solder Pad Geometry 1.pdf"

Electro-Optical Characteristics and Ratings

| | |
|---|--------------|
| PART NUMBER | 7011X1/5 |
| Output Color | Red/Green |
| Diffused/Non-Diffused | Non-Diffused |
| Package Color | Clear |
| Power Dissipation (mW) | 60/75 |
| Peak Forward Current Max. (mA) | 70 |
| Reverse Voltage (IR=100µA) (V) | 4 |
| Operating temperature (°C) | -30 to +85 |
| Storage Temperature (°C) | -30 to +90 |
| Forward Voltage Typ. (IF=20mA) | 1.7/2.1 |
| Forward Voltage Max. (IF=20mA) | 2.0/2.5 |
| Continuous Forward Current Max. (mA) | 30 |
| Luminous Intensity Min. (IF=20mA) | 6.0/3.0 |
| Luminous Intensity Max. (IF=20mA) | 17.0/7.5 |
| Peak Wavelength (IF=20mA) | 660/560 |
| Viewing Angle (degrees) | 100 |
| Rated Current (mA) | 20 |
| Reverse Current Max. (V _R =4V) | 100 |

Mouser Electronics

Authorized Distributor

Click to View Pricing, Inventory, Delivery & Lifecycle Information:

VCC:

[7011X1/5](#) [7011X5/7-100](#)

Mouser Electronics

Authorized Distributor

Click to View Pricing, Inventory, Delivery & Lifecycle Information:

VCC:

7011X1/5