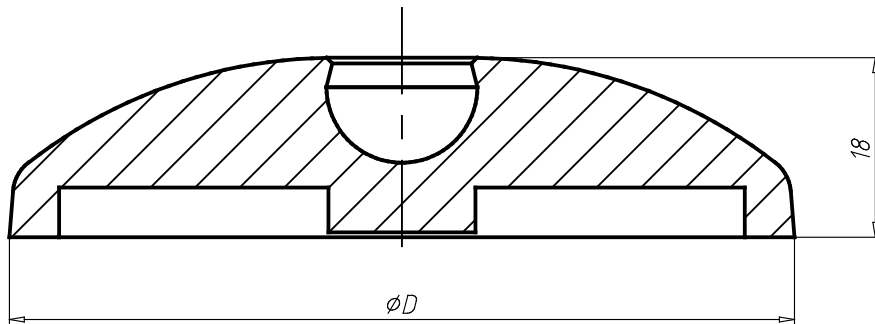


Base ZN for Swivel Feet, Ball Joint 15

098D120ZS



PARTNR (Part #)	BASE (Base)	DES (Description)	D ( / mm)	MAXL (Max. Load / kg)	WEIGHT (Weight / g)	CTN (Customs Tariff Number)	ID (ID #)
098D120ZS	120	Without Anti-slip plate	119	3500	584	79070000	104027