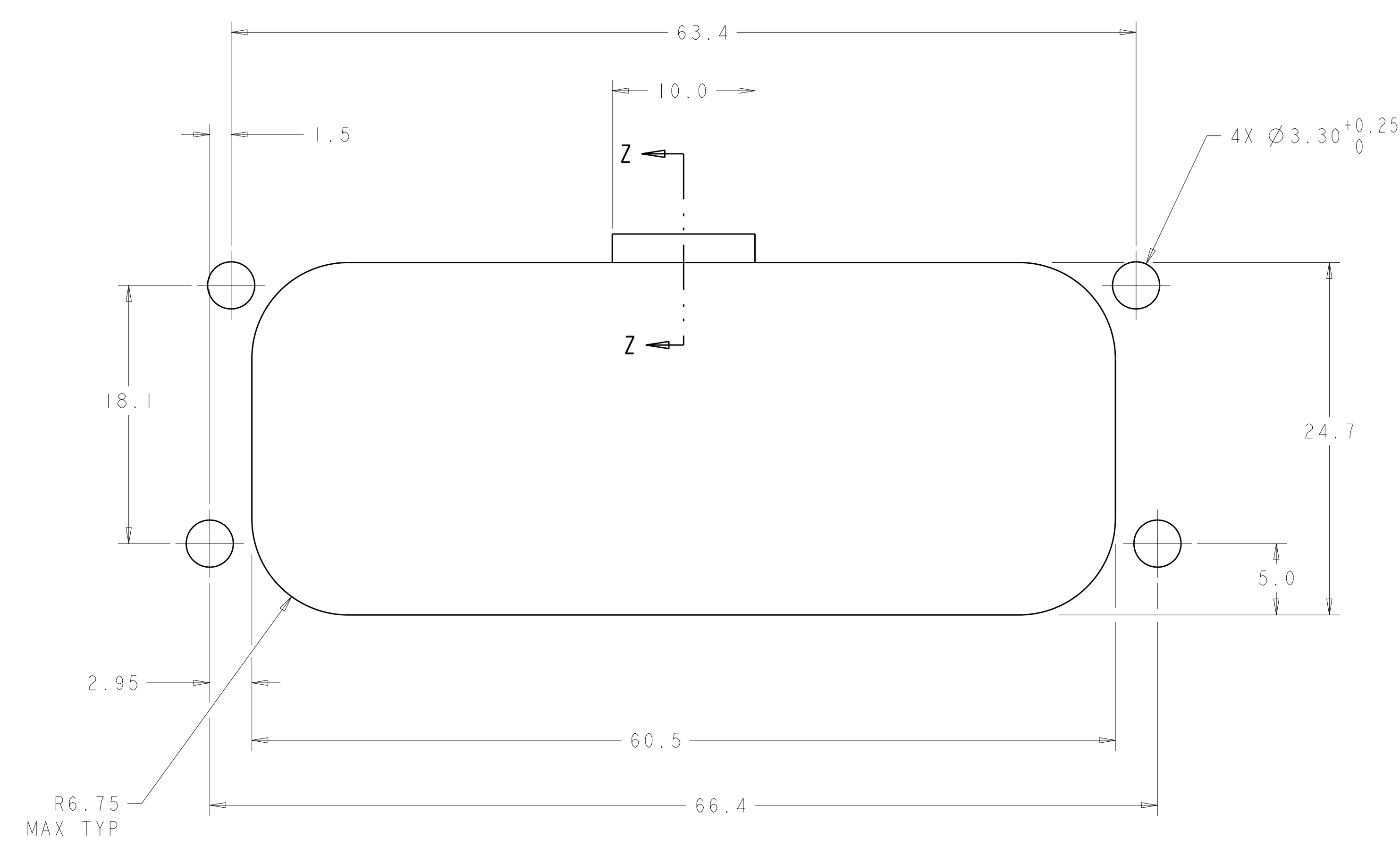
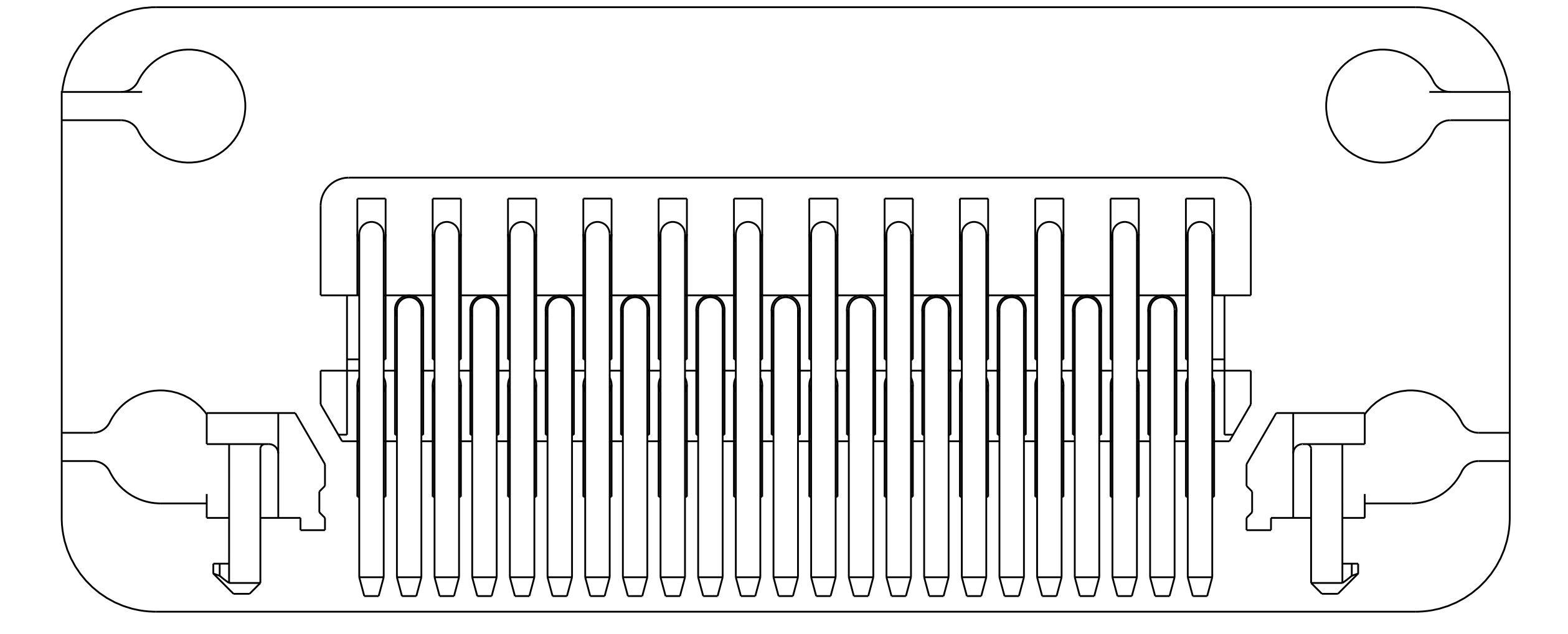
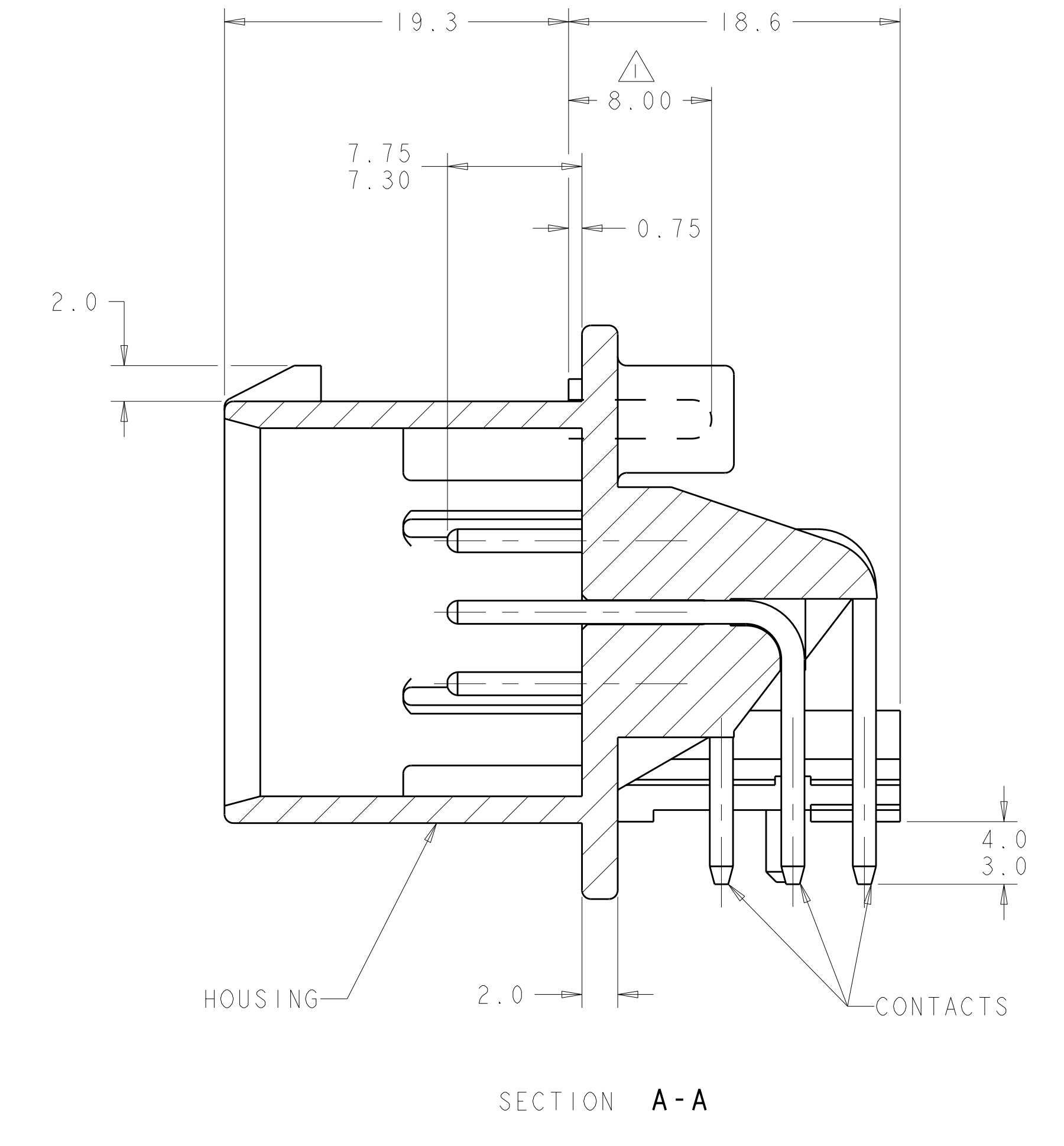
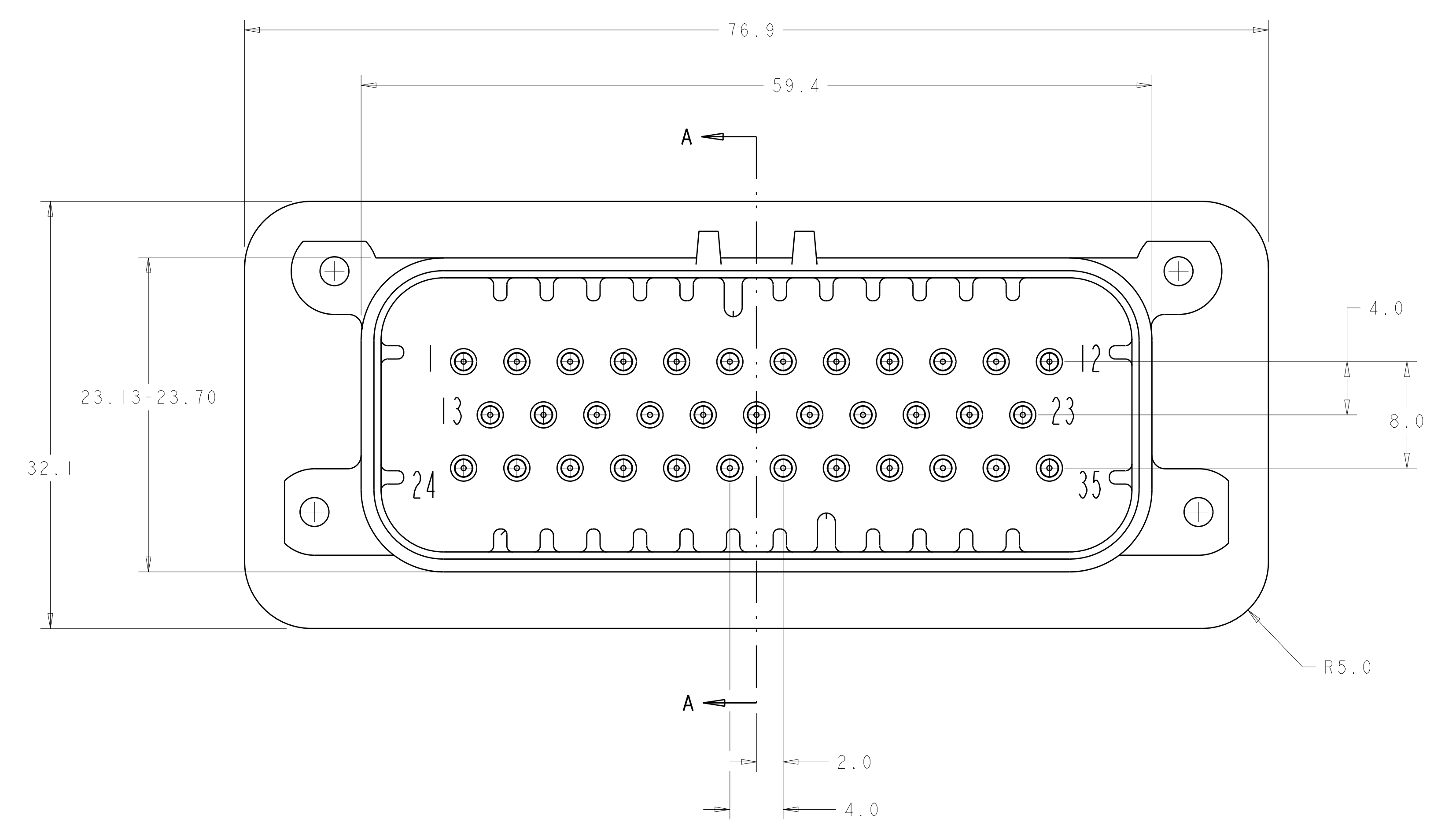
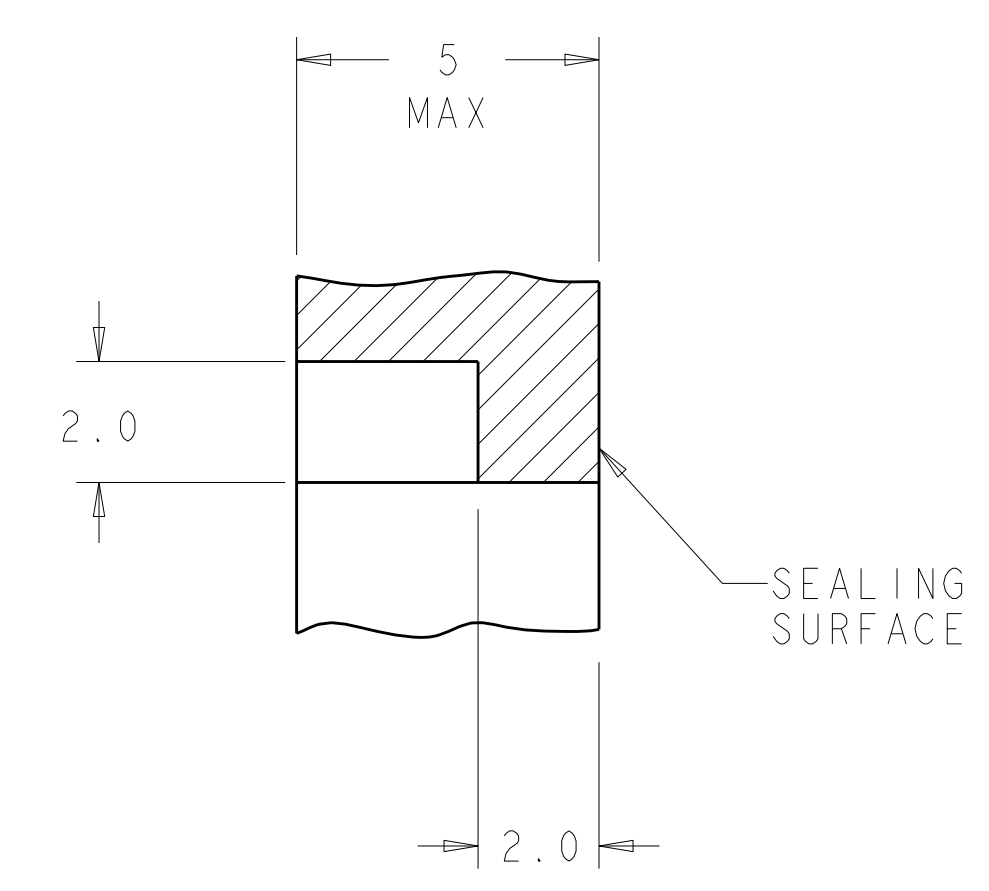


REVISONS		DATE	BY	APPD
H	REVISED PER ECO-06-024443	09MAR2001	AS	AS
H1	REVISED PER ECO-10-013103	22JAN2010	DD	DS
H2	REVISED PER ECO-10-018177	29SEP2010	DD	DS

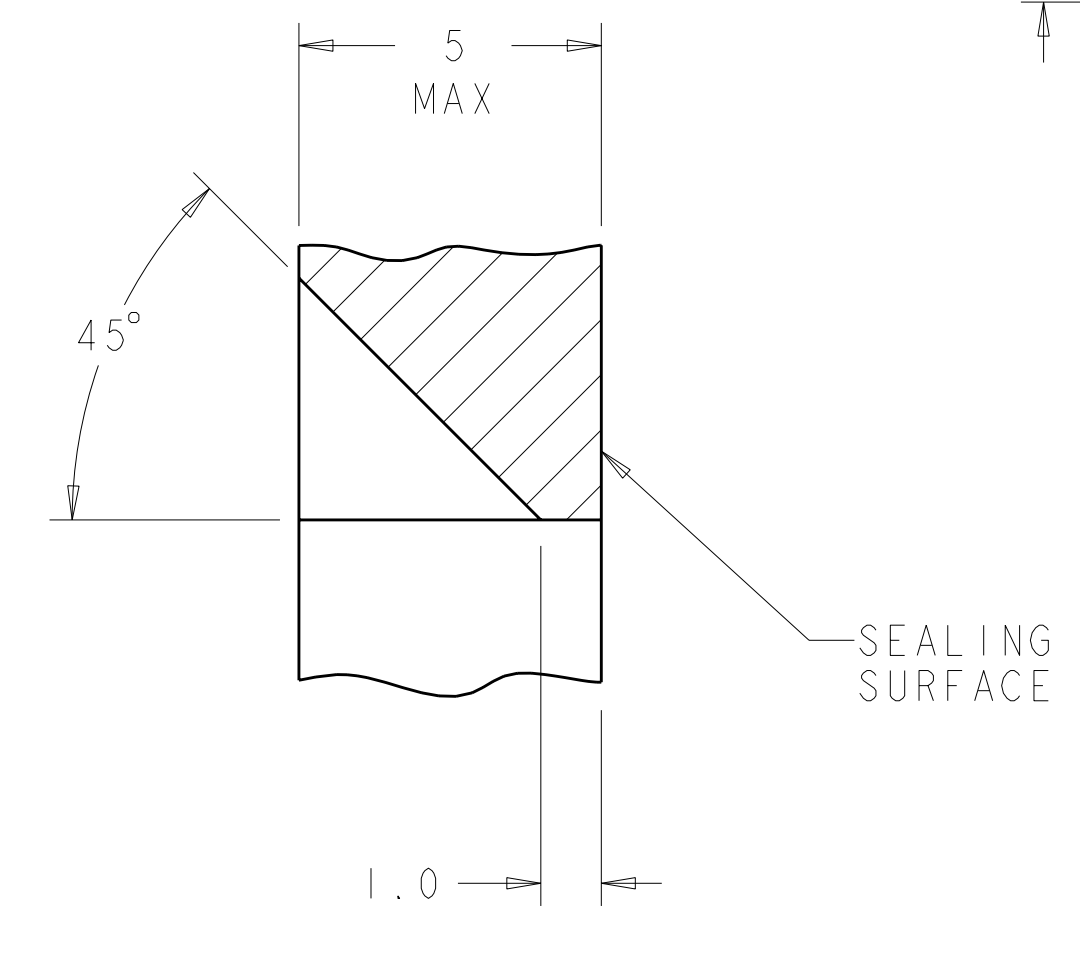
ACCEPTS #4 SELF TAPPING SCREW (ELCO HI-LO THREAD CUTTING STYLE OR EQUIVALENT) TO BE DRIVEN AT 0.6±0.2 N·M.
 HOUSING COLORS ARE MECHANICALLY KEYED TO MATE ONLY WITH IDENTICALLY COLORED PLUG ASSEMBLIES.



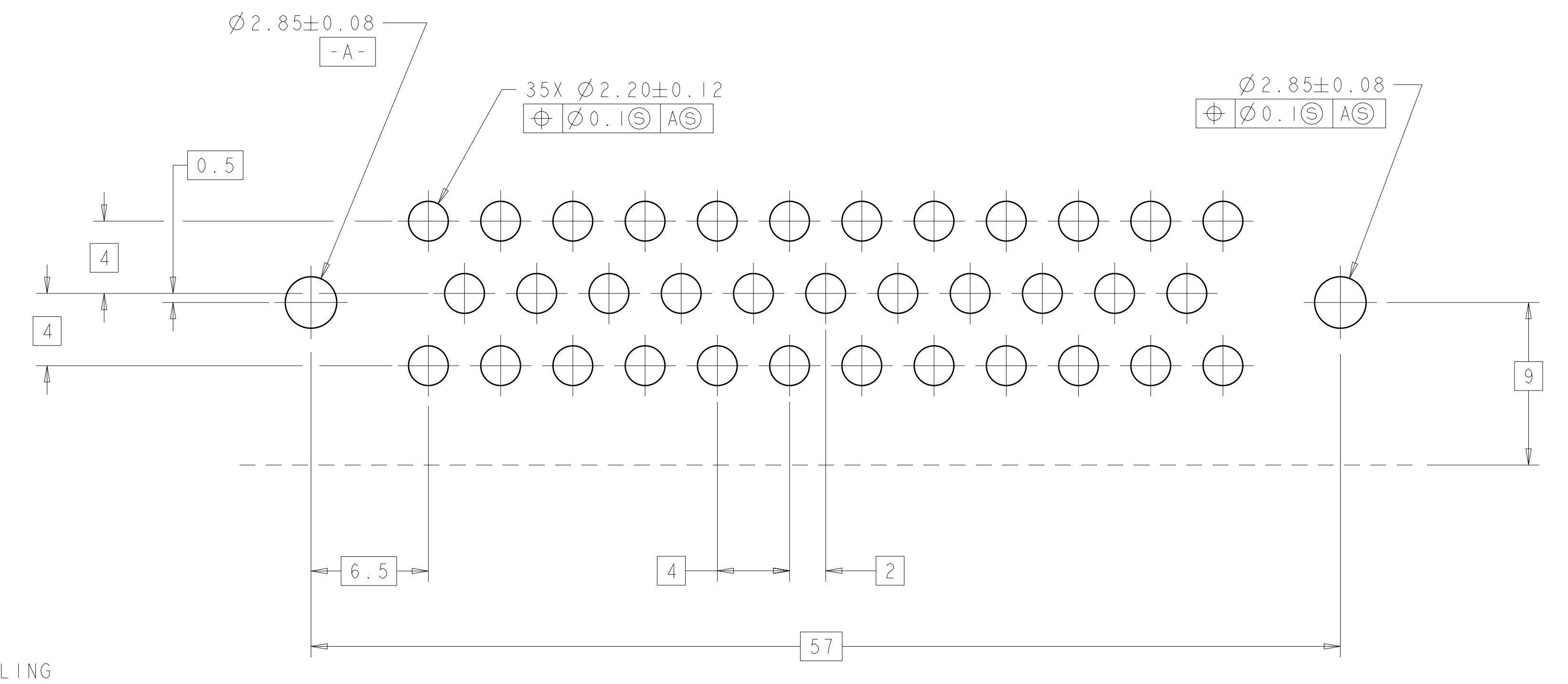
RECOMMENDED MOUNTING HOLE LAYOUT FOR 5.0 MAX THICK PANEL



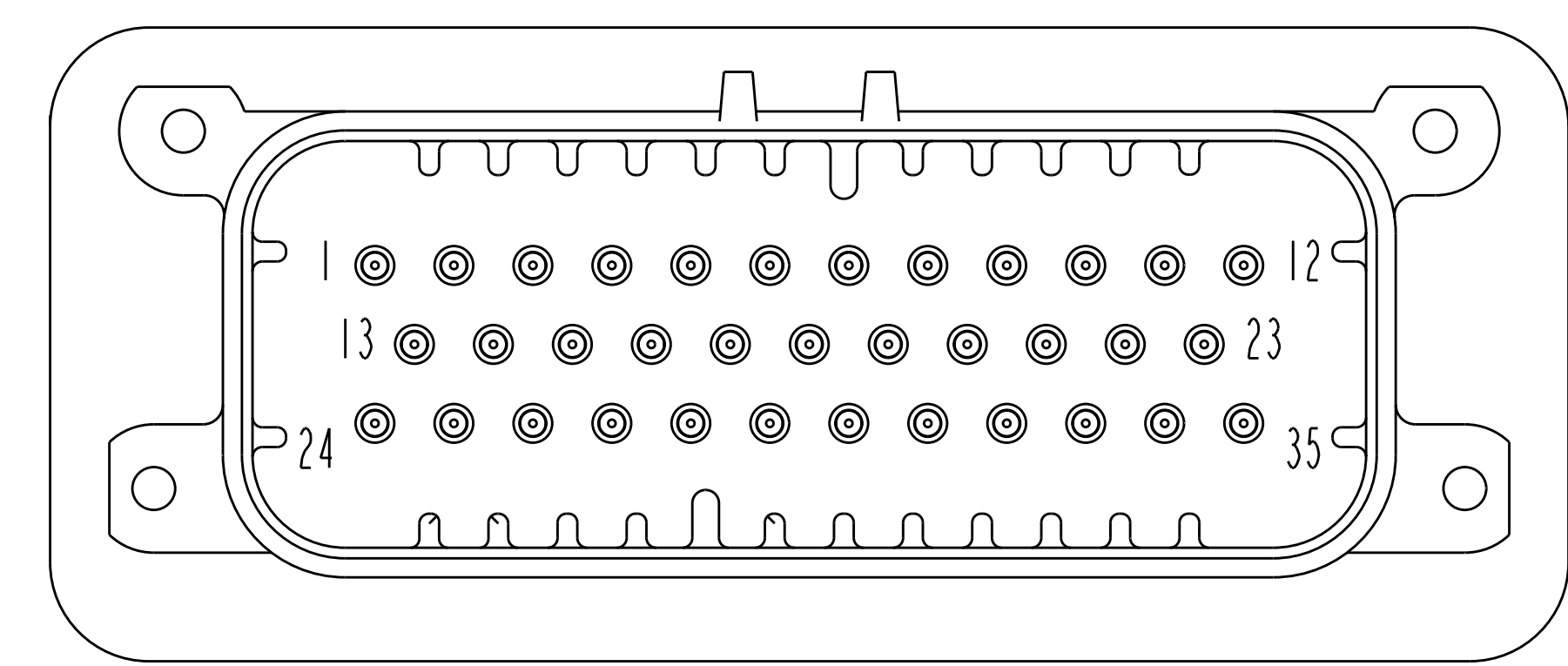
SECTION Z-Z
 OPTIONAL CONSTRUCTION IF THICKNESS IS GREATER THAN 2.0
 SCALE: 8:1



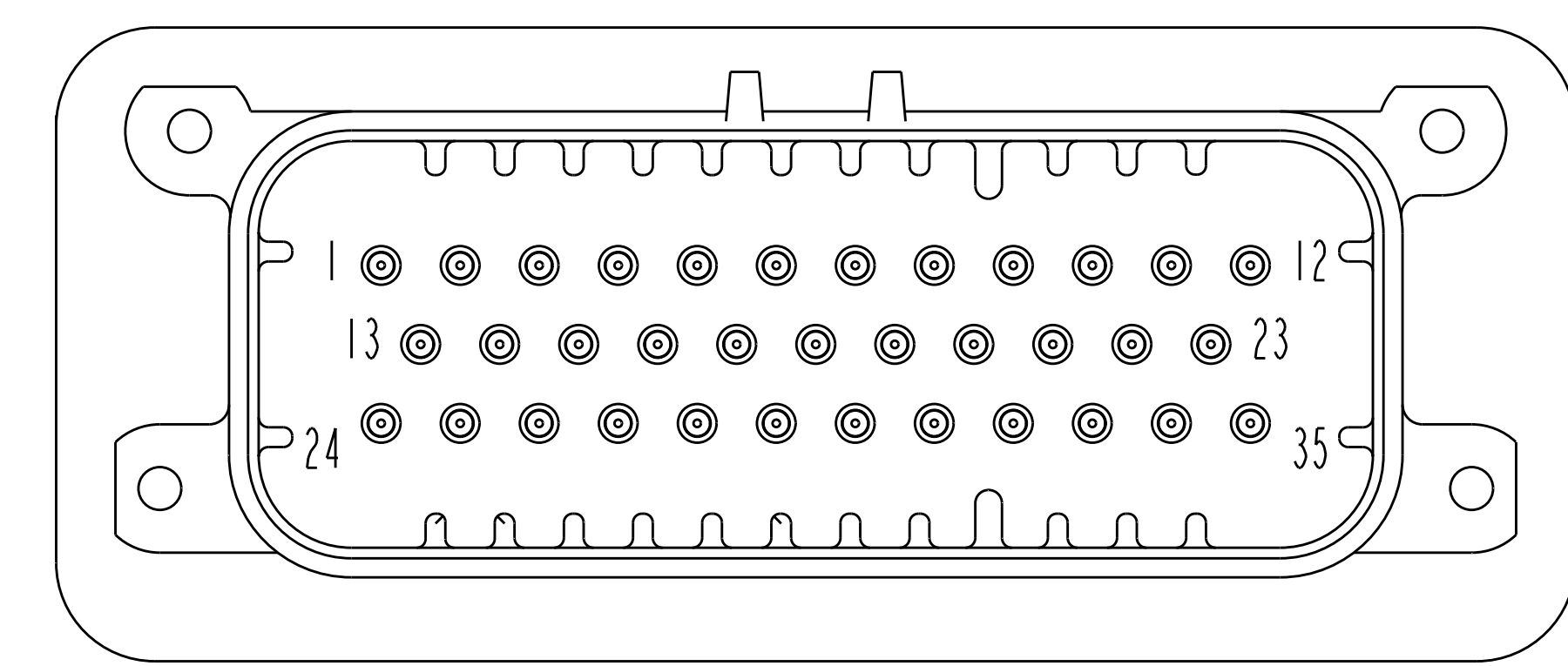
SECTION Z-Z
 OPTIONAL CONSTRUCTION IF THICKNESS IS GREATER THAN 2.0
 SCALE: 8:1



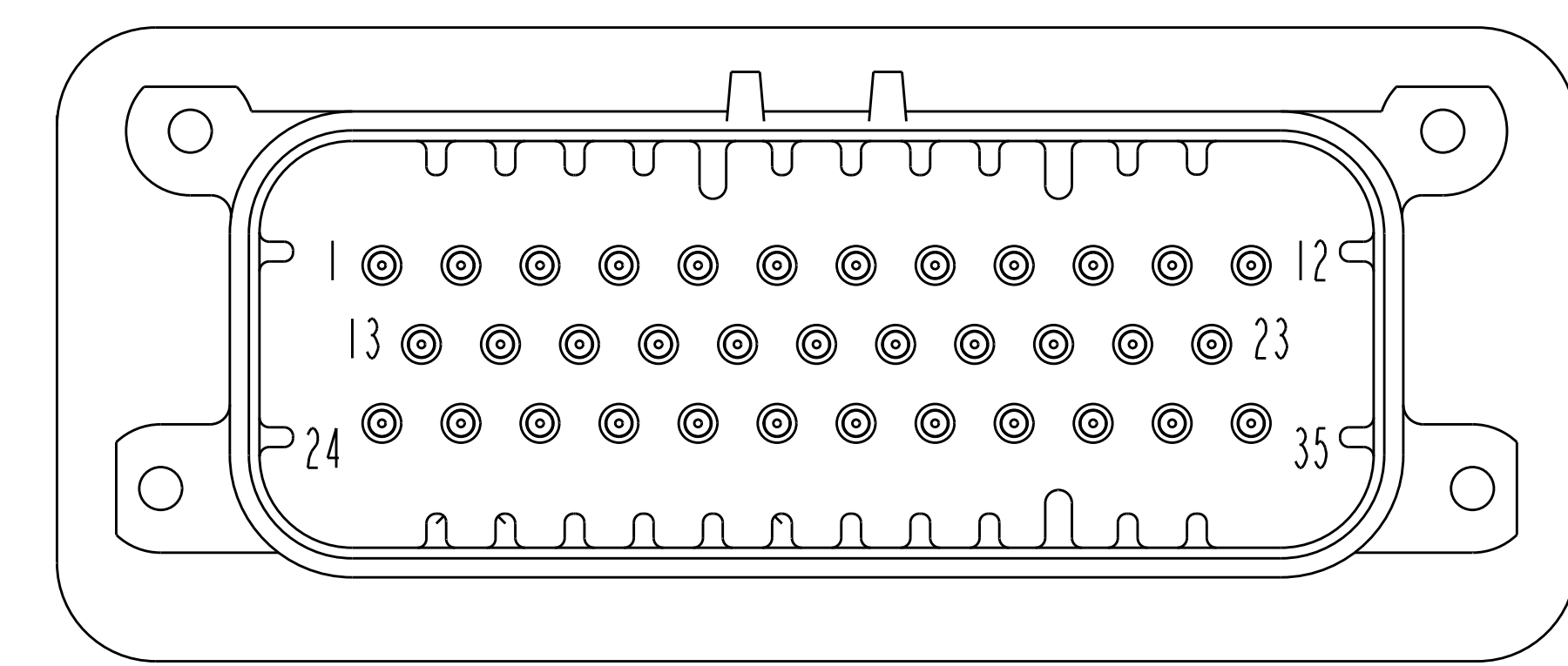
RECOMMENDED P.C. BOARD LAYOUT FOR 1.57 THICK P.C. BOARD



776180-2 & 1-776180-2
 KEY LOCATION AS SHOWN
 SCALE 3:1



776180-4 & 1-776180-4
 KEY LOCATION AS SHOWN
 SCALE 3:1



776180-5 & 1-776180-5
 KEY LOCATION AS SHOWN
 SCALE 3:1

776180-1 & 1-776180-1
 KEY LOCATION AS SHOWN

MATERIAL	FINISH	MATERIAL	COLOR	PART NUMBER
BRASS	DURAGOLD	PBT	ORANGE	1-776180-6
BRASS	DURAGOLD	PBT	BLUE	1-776180-5
BRASS	DURAGOLD	PBT	GRAY	1-776180-4
BRASS	DURAGOLD	PBT	NATURAL (WHITE)	1-776180-2
BRASS	DURAGOLD	PBT	BLACK	1-776180-1
BRASS	TIN	PBT	BLUE	776180-5
BRASS	TIN	PBT	GRAY	776180-4
BRASS	TIN	PBT	NATURAL (WHITE)	776180-2
BRASS	TIN	PBT	BLACK	776180-1

TYCO ELECTRONICS CORPORATION		TYCO ELECTRONICS CORPORATION	
DATE: 31DEC2002	BY: VESTAL	DATE: 31DEC2002	BY: CROWE
REV: 0	DESCRIPTION: 35 POSITION, SNAP-IN, AMPSEAL	REV: 0	DESCRIPTION: 35 POSITION, SNAP-IN, AMPSEAL
MATERIAL: SEE TABLE		MATERIAL: SEE TABLE	
CUSTOMER DRAWING		CUSTOMER DRAWING	

TYCO Electronics Tyco Electronics Harrisburg, PA 17105-3608

776180-1 & 1-776180-1
 00779 ©=776180