

DC Fan Motors

Splash Proof Fan □ 140mm

SAN ACE 140W



Splash Proof Fans

General specifications IP55 (Dust resistant, Machine protected against water jets)

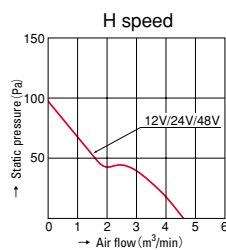
- Life expectancy 100,000hours (H,M speeds)
60,000hours(S speeds),
indoor environment(survival rate: 90% at 60°C,
rated voltage, and continuously run in a free air state)
- Motor protection system ··· Current cut system (with reverse-connection protection)
- Dielectric strength 50/60 Hz, 500 VAC, 1 minute
(between lead conductor and frame)
- Operating thermally range -10°C to +70°C (non-condensing)
- Fan power lead H,S speed ⊕ red, ⊖ black
..... M speed ⊕ red, ⊖ blue

38mm thick

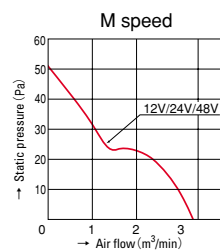
Specifications

Model No	Rated voltage (V)	Operating voltage range (V)	Rated current (A)	Rated input (W)	Rated rotating speed (min ⁻¹)	Air flow (m ³ /min)	(CFM)	Static pressure (Pa)	Noise (dB[A])	Mass (g)
109W1412H102	12	10.2~13.8	0.73	8.76	2,600	4.5	159	98	46	650
109W1412M102			0.3	3.6	1,900	3.3	117	52	38	
109W1424H102			0.37	8.88	2,600	4.5	159	98	46	
109W1424M102	24	20.4~27.6	0.16	3.84	1,900	3.3	117	52	38	
109W1448H102			0.2	9.6	2,600	4.5	159	98	46	
109W1448M102	48	40.8~55.2	0.09	4.32	1,900	3.3	117	52	38	

Typical air flow and static pressure characteristics



109W1412H102
109W1424H102
109W1448H102



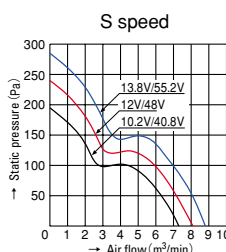
109W1412M102
109W1424M102
109W1448M102

51mm thick (G Type)

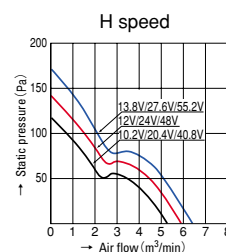
Specifications

Model No	Rated voltage (V)	Operating voltage range (V)	Rated current (A)	Rated input (W)	Rated rotating speed (min ⁻¹)	Air flow (m ³ /min)	(CFM)	Static pressure (Pa)	Noise (dB[A])	Mass (g)
9WB1412S502	12	10.2~13.8	2.7	32.4	4,200	8.1	286	240	57	700
9WB1412H502			1.25	15	3,100	5.9	208	130	49	
9WB1412M502			0.46	5.52	2,050	3.9	138	63	39	
9WB1424H502	24	20.4~27.6	0.6	14.4	3,100	5.9	208	130	49	
9WB1424M502			0.22	5.28	2,050	3.9	138	63	39	
9WB1448S502	48	40.8~55.2	0.71	34.08	4,200	8.1	286	240	57	
9WB1448H502			0.27	12.96	3,100	5.9	208	130	49	
9WB1448M502			0.12	5.76	2,050	3.9	138	63	39	

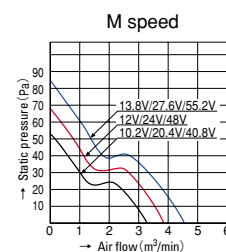
Typical air flow and static pressure characteristics



9WB1412S502
9WB1448S502



9WB1412H502
9WB1424H502
9WB1448H502

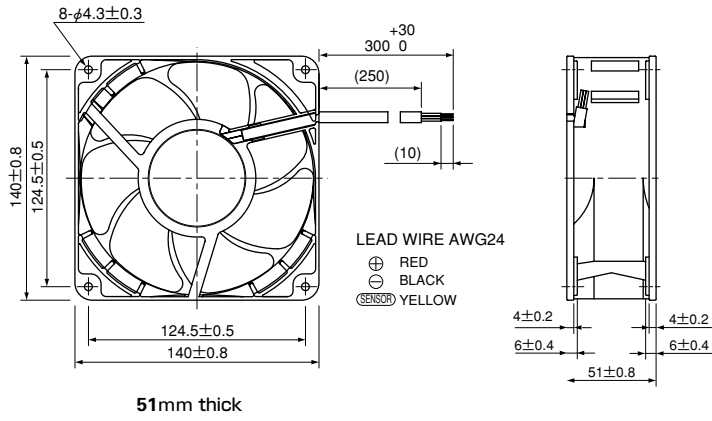
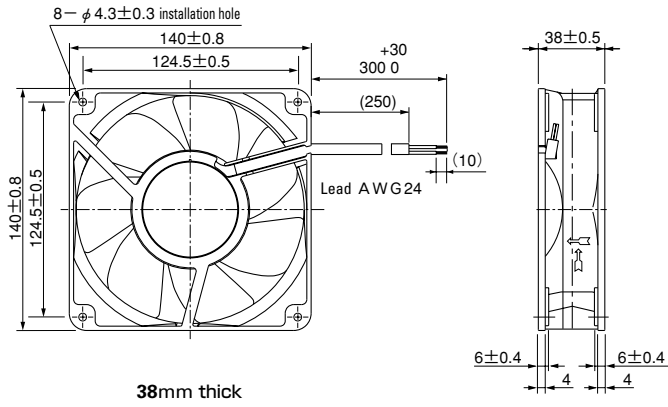


9WB1412M502
9WB1424M502
9WB1448M502

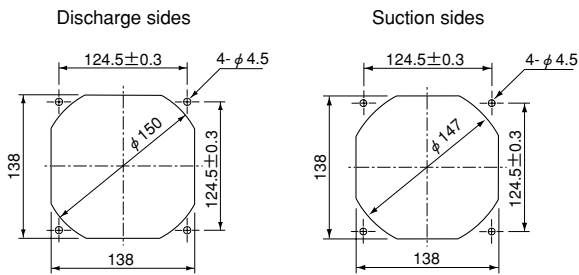
140mm

Dimensions (unit : mm)

Splash Proof Fans



Reference dimensional diagram for installation holes (unit : mm)



140mm

Notice Products listed on this catalog fall into the category of the cargoes specified in the Export Trade Control Ordinance (Attached Table1, Item 16). For the export of the above products, exporters are requested to implement export registration to the competent authorities, together with the study about "Information Requirements and Objective Requirements" under the Japanese equivalent of catchall controls

SANYO DENKI

1-15-1, Kita-otsuka, Toshima-ku, Tokyo 170-8451, Japan. PHONE : +81 3 3917 5151 Home Page: <http://www.sanyodenki.co.jp>

2003.10 Rev.B