

SIDE ROTARY

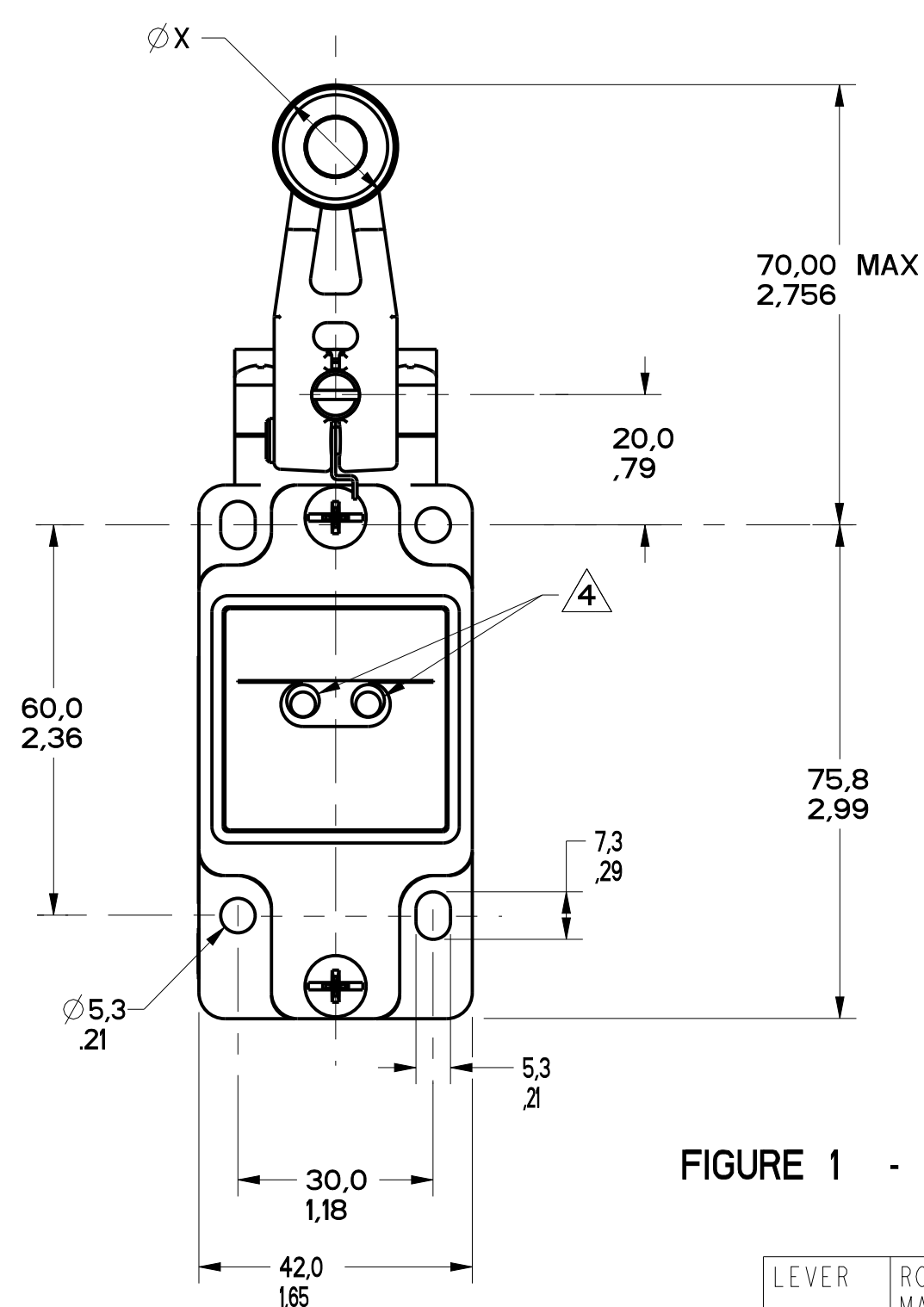
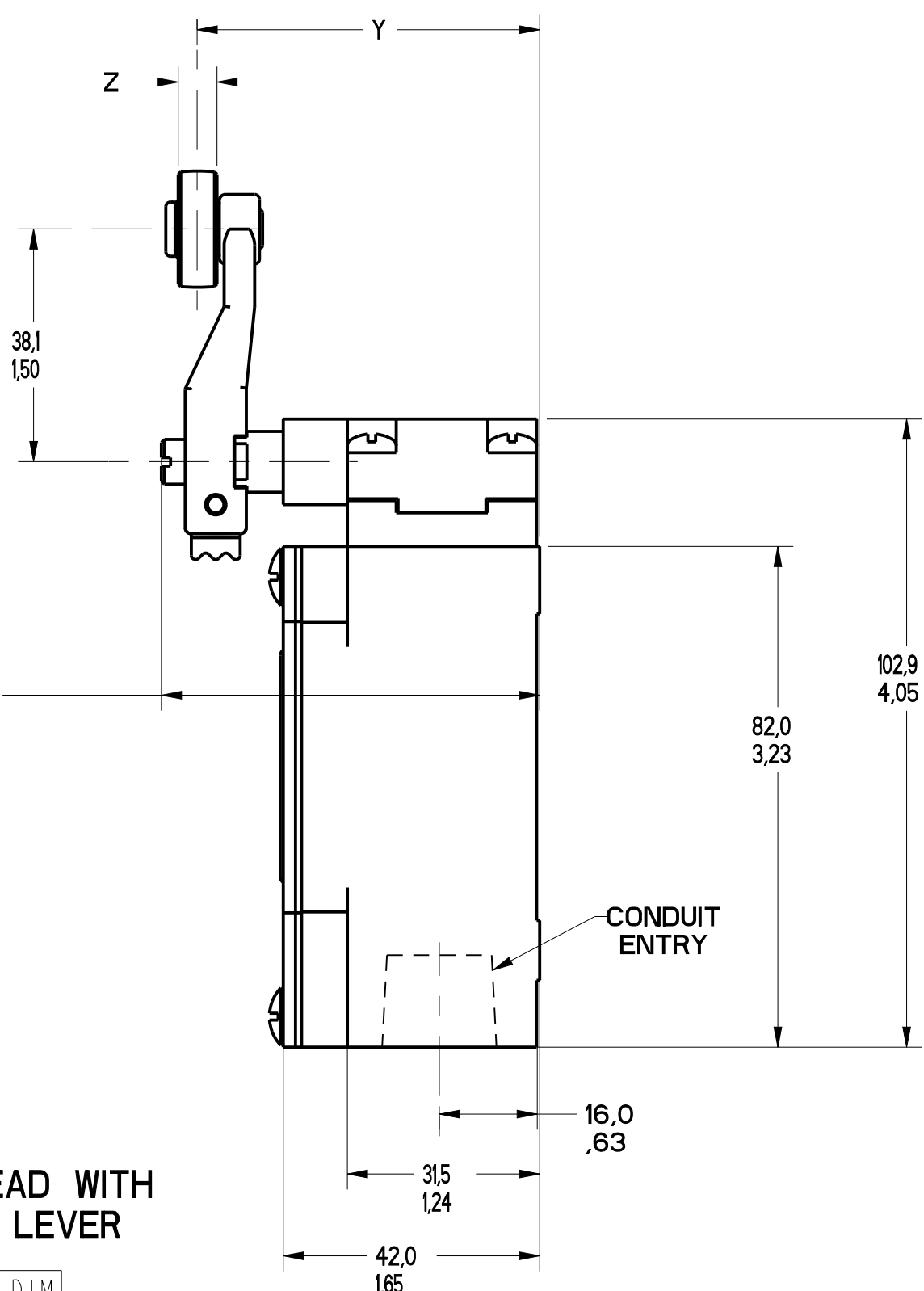


FIGURE 1 - SIDE ROTARY HEAD WITH GLZ51 SERIES LEVER

LEVER	ROLLER MATL	X DIM	Y DIM	Z DIM
GLZ51A	NYLON	19,1 .75	55,9 2.20	6,4 .25
GLZ51B	STEEL	19,1 .75	55,9 2.20	6,4 .25
GLZ51C	NYLON	24,5 1.00	59,1 2.33	12,7 .50
GLZ51Y	RUBBER	50,0 1.97	66,1 2.60	10,0 .39
GLZ51T	STAINLESS STEEL	19,1 .75	56,8 2.24	8,8 .345



GLZ54J: 200,00 / 7.870 MAX
GLZ54K: 140,00 / 5.510 MAX
ALUMINUM ROD

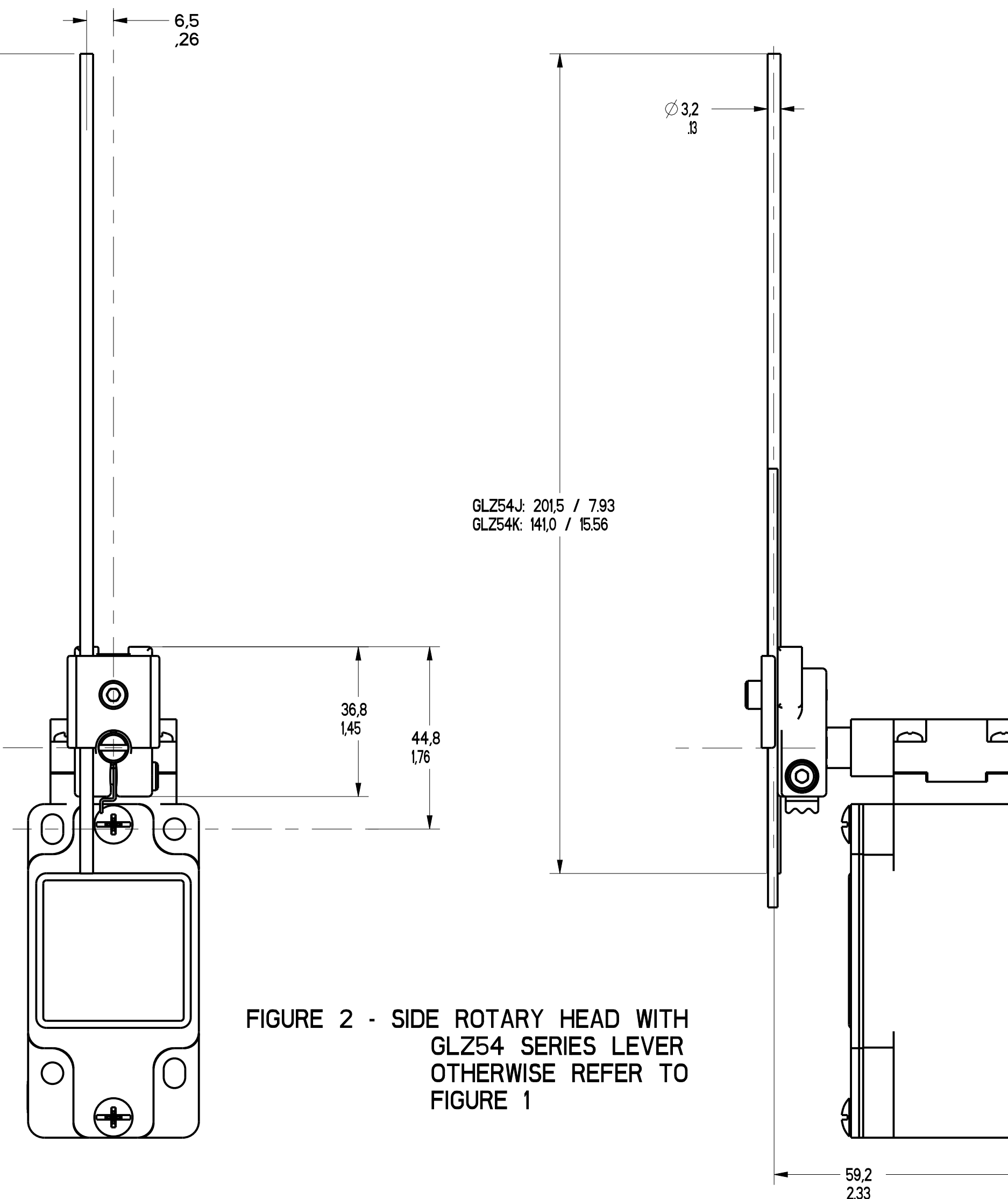


FIGURE 2 - SIDE ROTARY HEAD WITH GLZ54 SERIES LEVER OTHERWISE REFER TO FIGURE 1

FIGURE	CATALOG LISTING	CONDUIT ENTRY
1A	GL*A SERIES	1/2-14 NPT
1B	GL*B SERIES	PG13.5
1C	GL*C SERIES	20mm
1D	GL*D SERIES	PF1/2

ELECTRICAL RATING				GOLD PLATED CONTACTS
AC		DC		
A600	AC15	0300	DC13	1V 10µA MIN 50V 100mA MAX
Ue	Ie	Ue	Ie	
(VOLTS)	(AMPS)	(VOLTS)	(AMPS)	
120	6	24	2.8	
240	3	125	.55	
380	1.9	250	.27	
480	1.5			
500	1.4			
600	1.2			

ENVIRONMENTAL RATING
IP67
NEMA/UL TYPES 1, 4, 12, 13

CATALOG LISTING	BODY DIMENSIONS, FIGURE	HEAD DIMENSIONS, FIGURE	HEAD ACTUATION, FIGURE
GLA****	I	N/A	N/A
GLF****	I	N/A	N/A
GLH****	I	N/A	N/A
GLA****	1A	N/A	N/A
GLB****	1B	N/A	N/A
GLC****	1C	N/A	N/A
GLD****	1D	N/A	N/A
GL****A1*	I	1	8
GL****A2*	I	3	9
GL****A4*	I	2	10
GL****A5*	I		8
GL****B	I	4	11
GL****C	I	5	13A, 13B
GL****D	I	6	14A, 14B
GL****E7A	I	7A	12
GL****E7B	I	7	12
GL****E7C	I	7E	15
GL****E7D	I	7B	12
GL****K8A	I	7C	15
GL****K8B	I	7D	15
GL****K8C	I	7	15

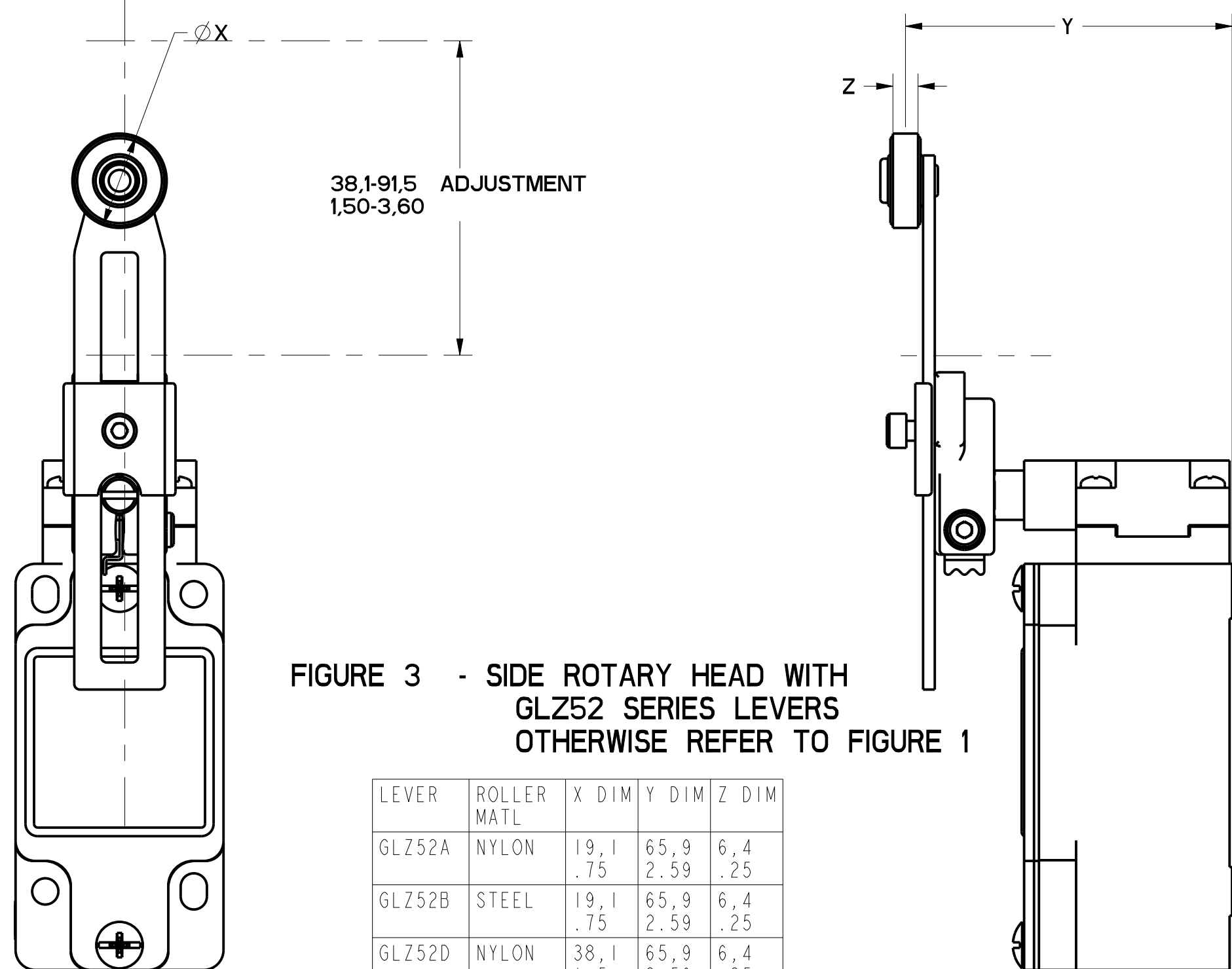


FIGURE 3 - SIDE ROTARY HEAD WITH GLZ52 SERIES LEVERS OTHERWISE REFER TO FIGURE 1

LEVER	ROLLER MATL	X DIM	Y DIM	Z DIM
GLZ52A	NYLON	19,1 .75	65,9 2.59	6,4 .25
GLZ52B	STEEL	19,1 .75	65,9 2.59	6,4 .25
GLZ52D	NYLON	38,1 1.5	65,9 2.59	6,4 .25
GLZ52E	NYLON	19,1 .75	79,37 3.125	33,07 1.300
GLZ52W	RUBBER	40,0 1.6	71,5 2.81	12,7 .5
GLZ52Y	RUBBER	50,0 1.97	68,8 2.71	10,0 .39

NOTES
 1 - HEADS MAY BE INDEXED IN 90° INCREMENTS
 2 - LEVERS MAY BE KEYED TO THE SHAFT AT 90° INCREMENTS. THEY MAY ALSO BE ATTACHED, BUT NOT KEYED ANYWHERE ON THE SHAFT.
 3 - FOR ADDITIONAL LEVERS SEE "M" DRAWING CHART GLZ5
 4 - THE LEFT INDICATOR IS GREEN AND INDICATES "POWER ON" IT IS ON GLH SERIES PRODUCTS ONLY. THE RIGHT INDICATOR IS YELLOW AND INDICATES "OUTPUT STATUS" IT IS ON GLF AND GLH SERIES PRODUCTS ONLY.
 5 - THE MAXIMUM VOLTAGE, V_e OF GLF AND GLH SERIES PRODUCTS IS THE MAXIMUM RATED VOLTAGE OF INDICATION LIGHTS
 6 - FREE POSITION, OPERATE POINT, OVERTRAVEL AND PRETRAVEL ALL TO EN50041
 7 - CAM TRAVEL FOR FIG 9 ONLY APPLIES WHEN LEVER IS ADJUSTED TO 38,1 / 1.50
 8 - THE MAXIMUM VOLTAGE, V_e OF "06" AND "36" BASIC SWITCH CODE IS 300V (A300) TEMPERATURE RANGE
 9 - (ALL PRODUCTS EXCEPT W/SIDE ROTARY OPERATING HEAD)
 OPERATING: -25°C TO +85°C / -13°F TO +185°F
 STORAGE: -40°C TO +85°C / -40°F TO +185°F
 (PRODUCTS W/SIDE ROTARY OPERATING HEAD)
 OPERATING: -40°C TO +85°C / -40°F TO +185°F
 STORAGE: -40°C TO +85°C / -40°F TO +185°F

THIS DRAWING COVERS A PROPRIETARY ITEM AND IS THE PROPERTY OF MICRO SWITCH, A DIVISION OF HONEYWELL. THIS DRAWING IS NOT TO BE COPIED OR USED WITHOUT THE APPROVAL OF MICRO SWITCH.

FED. MFG. CODE 91929

MICRO SWITCH
a Honeywell Division

SWITCH, ENCLOSED

CATALOG LISTING
GL SERIES CHART 1

SI METRIC US CUSTOMARY

DESIGN UNITS: ±.25

WEIGHT

THIRD ANGLE PROJECTION

SCALE: 1:1

DO NOT SCALE PRINT

TOLERANCES

APPLY TO DESIGN UNITS. CONVERSIONS ARE ONLY FOR REFERENCE. UNLESS NOTED, TOLERANCES ARE:

	DIM	TOL.	DIM	TOL.
NO PLACES	X	±.04	X	±.0015
TWO PLACES	X, Y, Z	±.02	X, Y, Z	±.0015
THREE PLACES	X, Y, Z	±.015	X, Y, Z	±.0015

ANGLES: ±.2°

MGL SERIES CHART 1
 DRAWING NUMBER: 16
 ISSUE: 1
 DATE: 01/13
 CHECK: CMH
 APPROVED: DVM
 DATE: 02/01/12
 RELEASE NO.: PR-201782
 PTC/CAD
 DRAWN: A.V. ZIMARCO
 CHECK: DVM
 DATE: 02/01/12

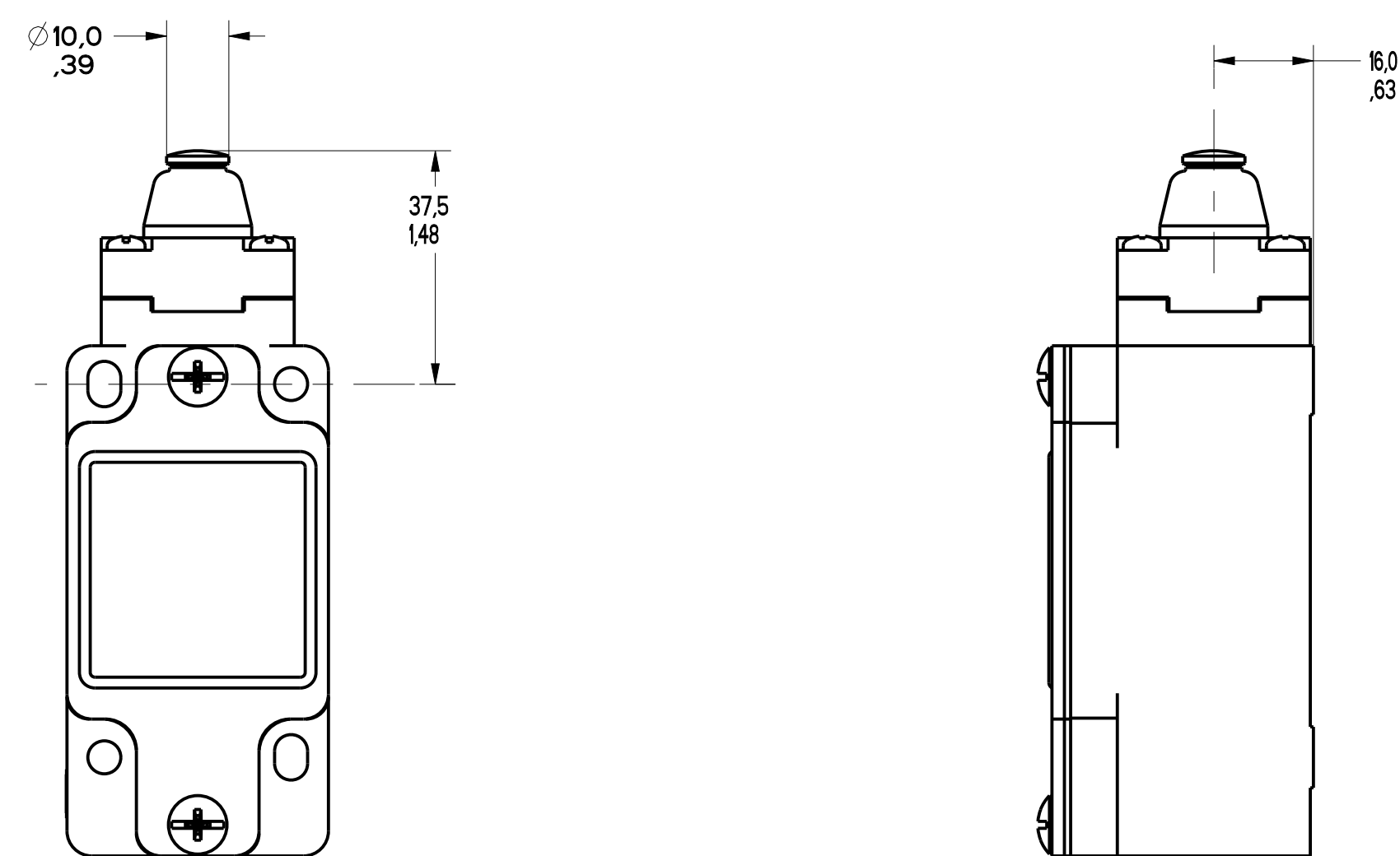


FIGURE 4 - TOP PIN PLUNGER HEAD
OTHERWISE REFER TO
FIGURE 1

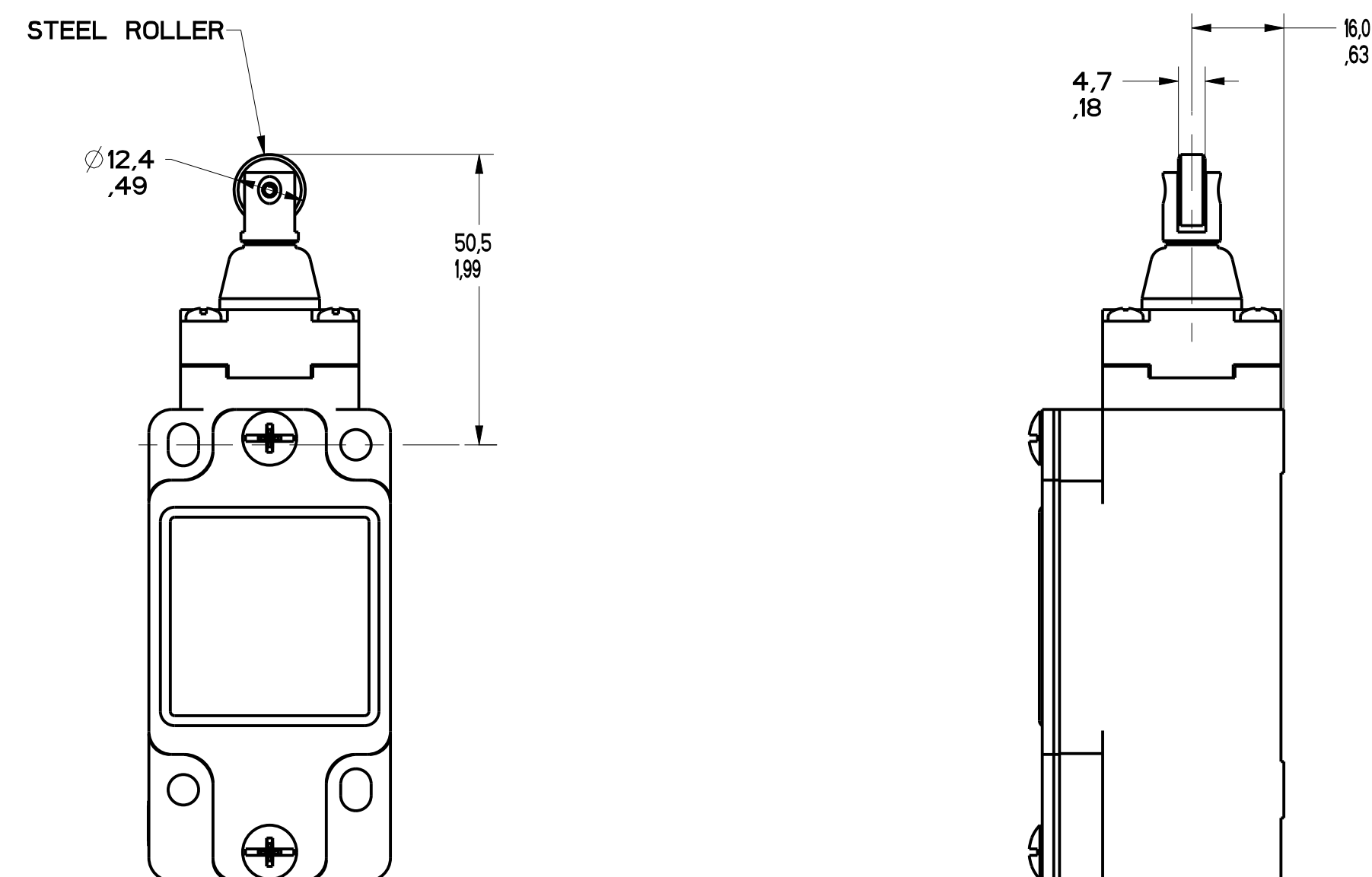


FIGURE 5 - TOP ROLLER PLUNGER HEAD
OTHERWISE REFER TO
FIGURE 1

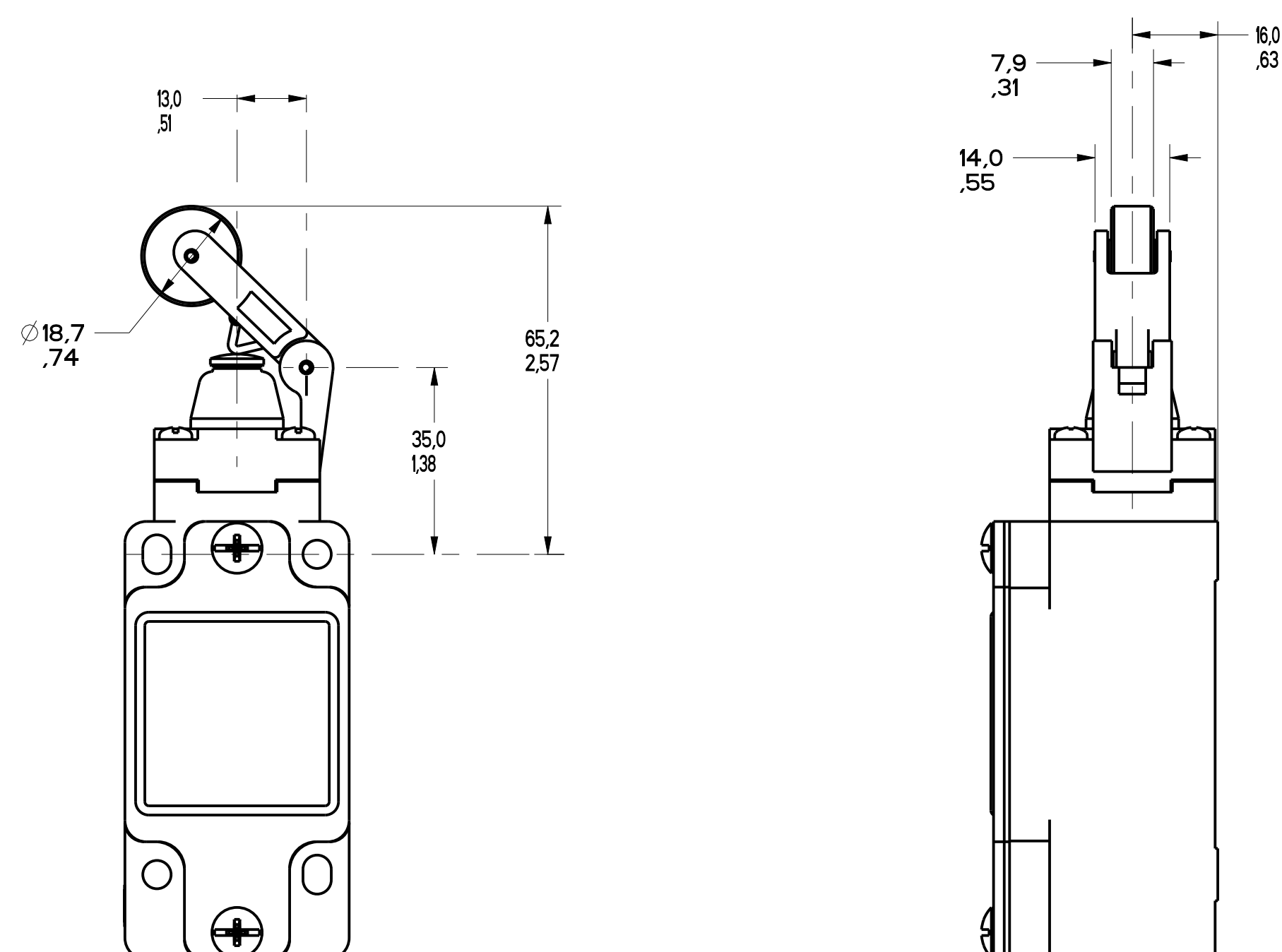


FIGURE 6 - TOP LEVER HEAD,
OTHERWISE REFER TO
FIGURE 1

MGL SERIES CHART 1
 DRAWING NUMBER: 2 OF 13
 RELEASE NO. PR-20782
 REPLACES:
 ISSUE: 16
 CHECK: CMH
 DATE: 05 OCT 10
 CHECK: CMH
 DATE: 26 AUG 93
 CHECK: G.H.
 DATE: 12 OCT 12
 P.T.C./CAD
 DRAWN: L.S.
 DATE: 26 AUG 93
 CHECK: G.H.
 DATE: 12 OCT 12

THIS DRAWING COVERS A PROPRIETARY ITEM AND IS THE PROPERTY OF MICRO SWITCH, A DIVISION OF HONEYWELL. THIS DRAWING IS NOT TO BE COPIED OR USED WITHOUT THE APPROVAL OF MICRO SWITCH. FED. MFG. CODE 91929		CATALOG LISTING	
MICRO SWITCH a Honeywell Division		SWITCH, ENCLOSED	
DESIGN UNITS: <input checked="" type="checkbox"/> SI METRIC <input type="checkbox"/> US CUSTOMARY		GL SERIES CHART 1	
TOLERANCES APPLY TO DESIGN UNITS. CONVERSIONS ARE ONLY FOR REFERENCE, UNLESS NOTED. TOLERANCES ARE:		THIRD ANGLE PROJECTION SCALE: 1:1 DO NOT SCALE PRINT	
NO PLACES	±.04	NO PLACES	±.04
ONE PLACE	±.04	TWO PLACES	±.04
TWO PLACES	±.04	THREE PLACES	±.04
THREE PLACES	±.04	ANGLES	±.2°
WEIGHT		WEIGHT	

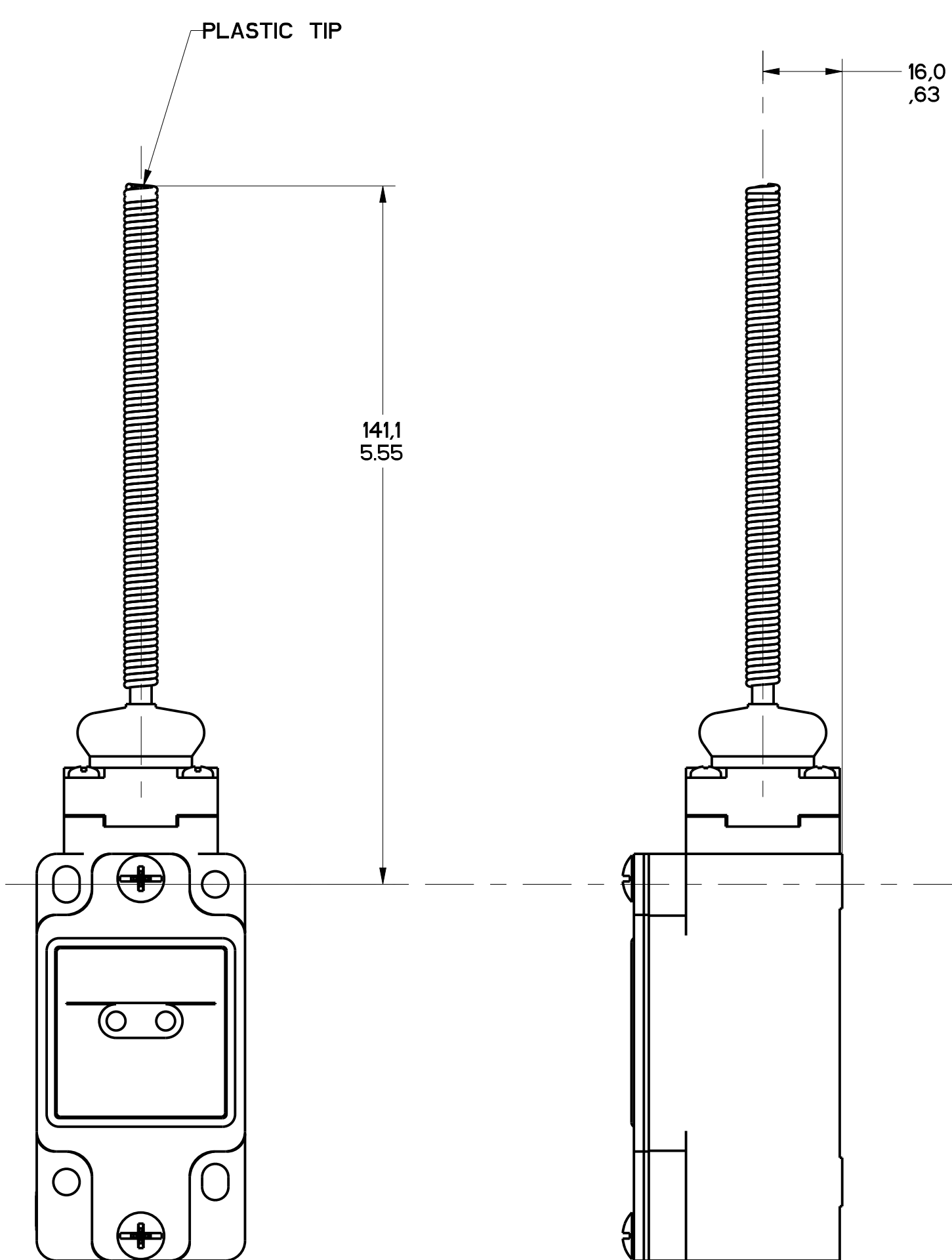


FIGURE 7 - WOBBLE HEAD, AND CAT WISKER HEAD COIL ACTUATOR, OTHERWISE REFER TO FIGURE 1

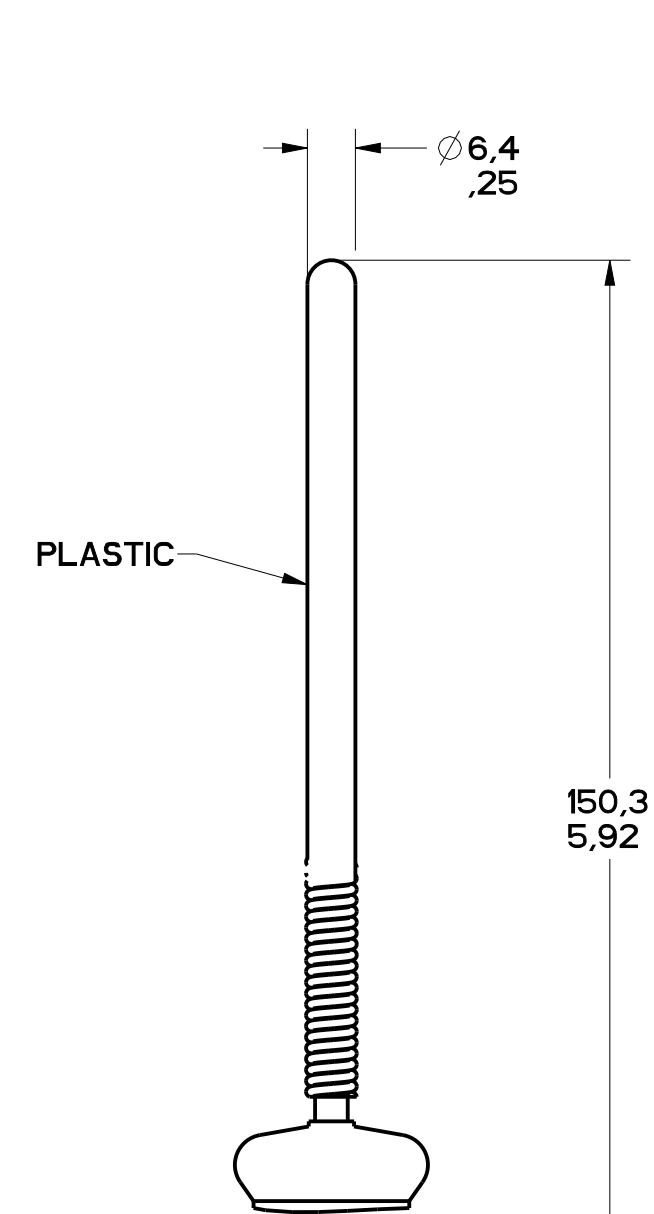


FIGURE 7A - WOBBLE HEAD, PLASTIC ACTUATOR, OTHERWISE SAME AS FIGURE 7

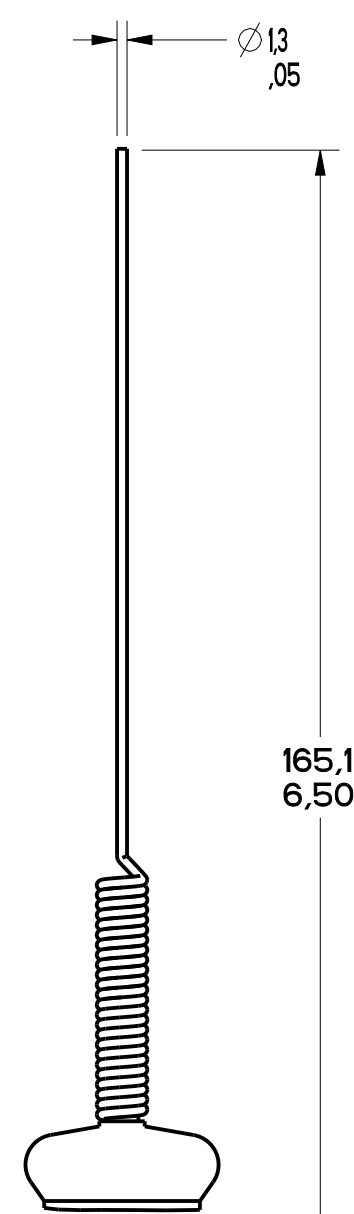


FIGURE 7B - WOBBLE HEAD, STAINLESS STEEL SPRING ACTUATOR, OTHERWISE SAME AS FIGURE 7

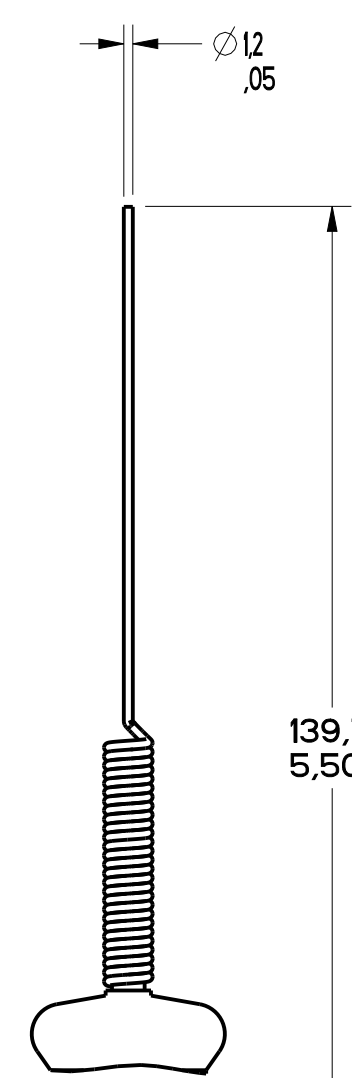


FIGURE 7C - CAT WHISKER ACTUATOR, STAINLESS STEEL SPRING, OTHERWISE SAME AS FIGURE 7

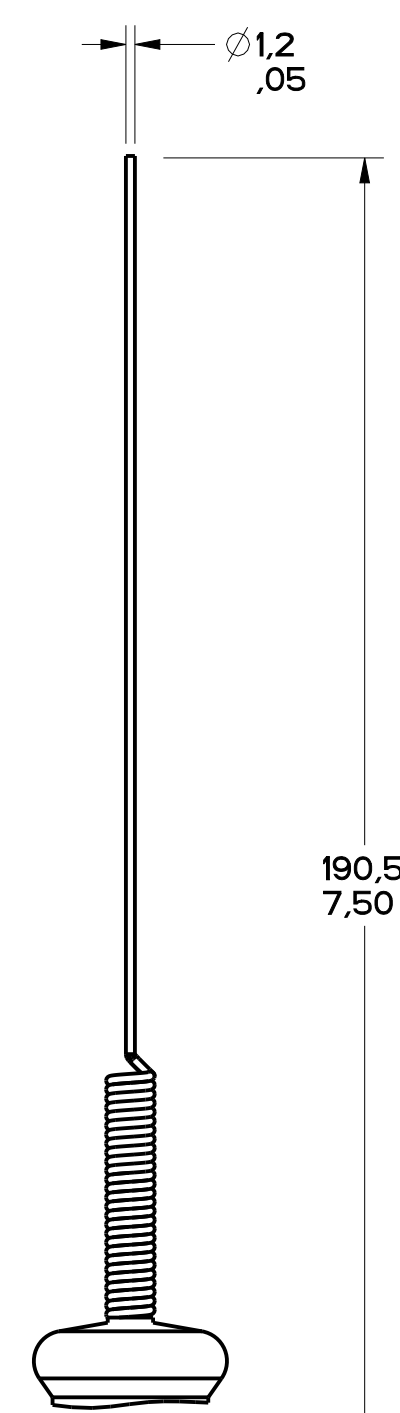


FIGURE 7D - CAT WHISKER ACTUATOR, STAINLESS STEEL SPRING, OTHERWISE SAME AS FIGURE 7

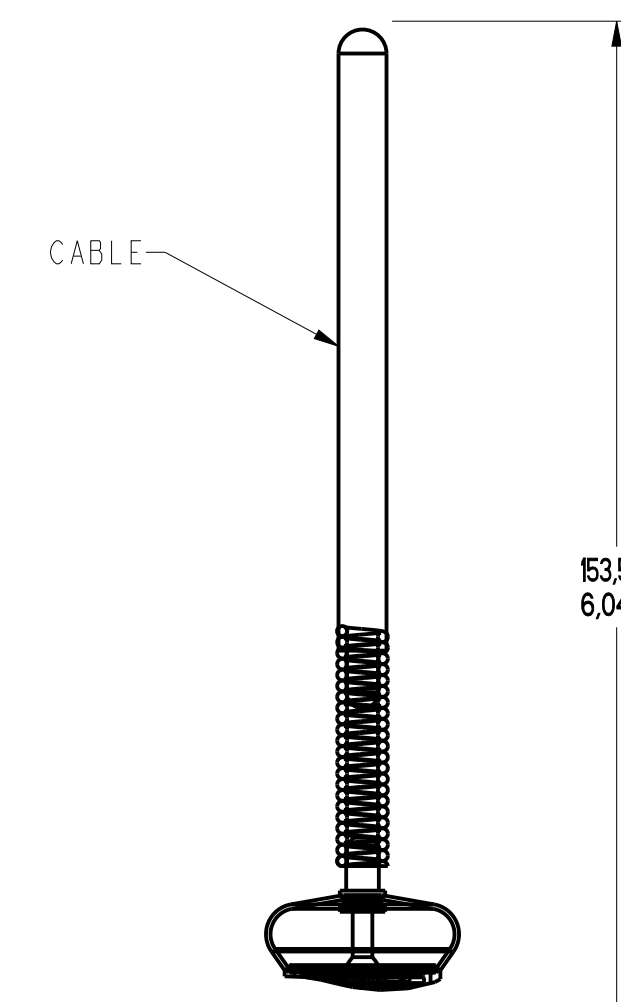


FIGURE 7E - CABLE WOBBLE ACTUATOR, OTHERWISE SAME AS FIGURE 7

MGL SERIES CHART 1
 DRAWING NUMBER: 3 OF 13
 RELEASE NO. PR-21557
 REPLACES
 ISSUE 16
 0005041
 01 JUN 63
 0022886
 28 JAN 64
 0023159
 07 AUG 66
 0037216
 08 FEB 68
 0043629
 10 FEB 68
 0048605
 0078009
 0010059
 0004510
 0012012
 S. A. V. MAY 66
 P.T.C./CAD
 DRAWN
 S. A. V. MAY 66
 CHECKED
 S. A. V. MAY 66
 APPROVED
 S. A. V. MAY 66
 MICRO SWITCH
 A Honeywell Division

THIS DRAWING COVERS A PROPRIETARY ITEM AND IS THE PROPERTY OF MICRO SWITCH, A DIVISION OF HONEYWELL. THIS DRAWING IS NOT TO BE COPIED OR USED WITHOUT THE APPROVAL OF MICRO SWITCH. FED. MFG. CODE 91929		CATALOG LISTING	
MICRO SWITCH a Honeywell Division		SWITCH, ENCLOSED	
DESIGN UNITS: <input checked="" type="checkbox"/> SI METRIC <input type="checkbox"/> US CUSTOMARY		GL SERIES CHART 1	
TOLERANCES APPLY TO DESIGN UNITS. CONVERSIONS ARE ONLY FOR REFERENCE, UNLESS NOTED. TOLERANCES ARE:		THIRD ANGLE PROJECTION SCALE: 1:1 DO NOT SCALE PRINT	
NO PLACES	TOL.	NO PLACES	TOL.
ONE PLACE	±.04	TWO PLACES	±.01, ±.02
TWO PLACES	±.01, ±.02	THREE PLACES	±.005, ±.01, ±.02
THREE PLACES	±.005, ±.01, ±.02	ANGLES	±2°
WEIGHT		WEIGHT	

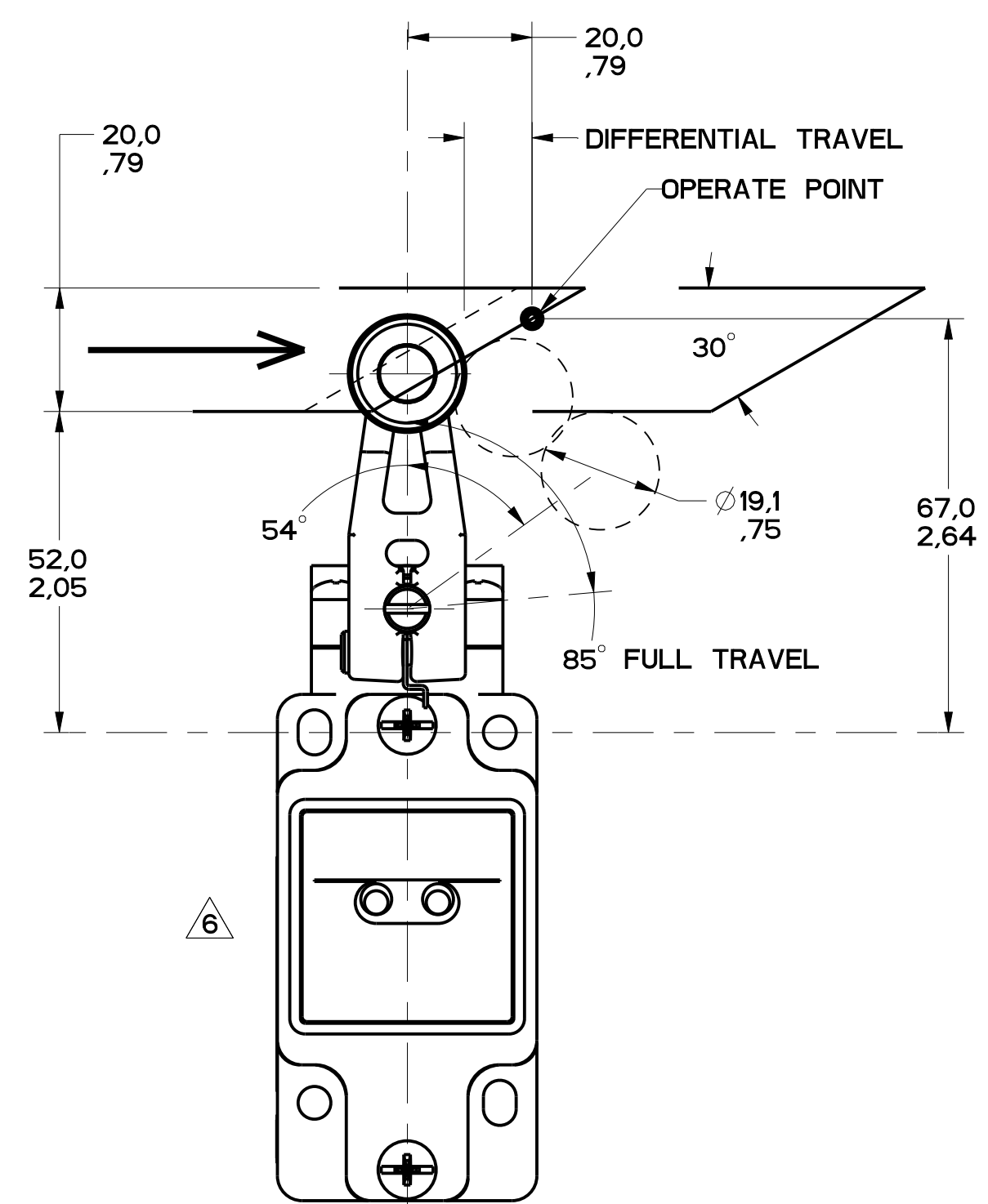


FIGURE 8

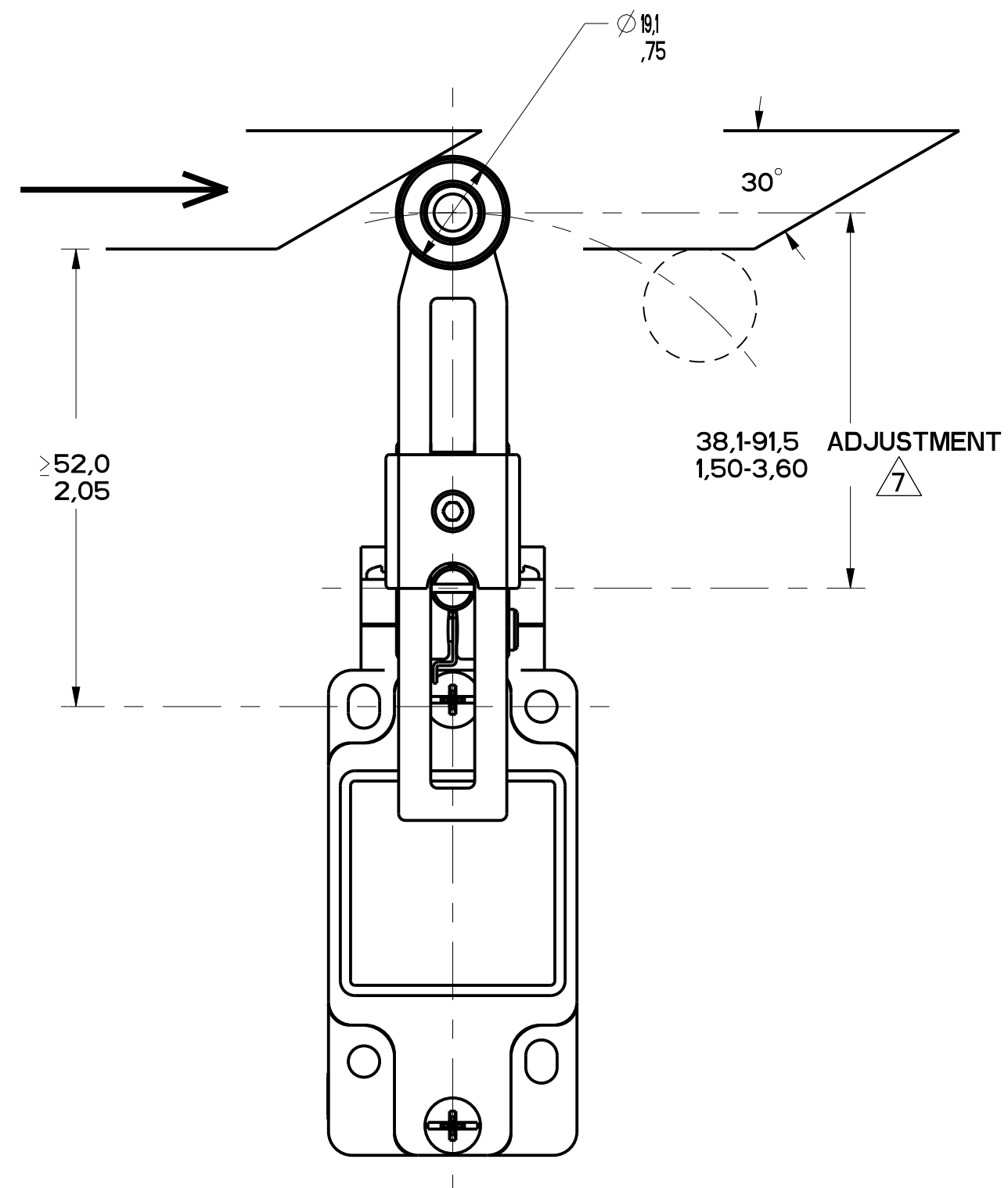


FIGURE 9

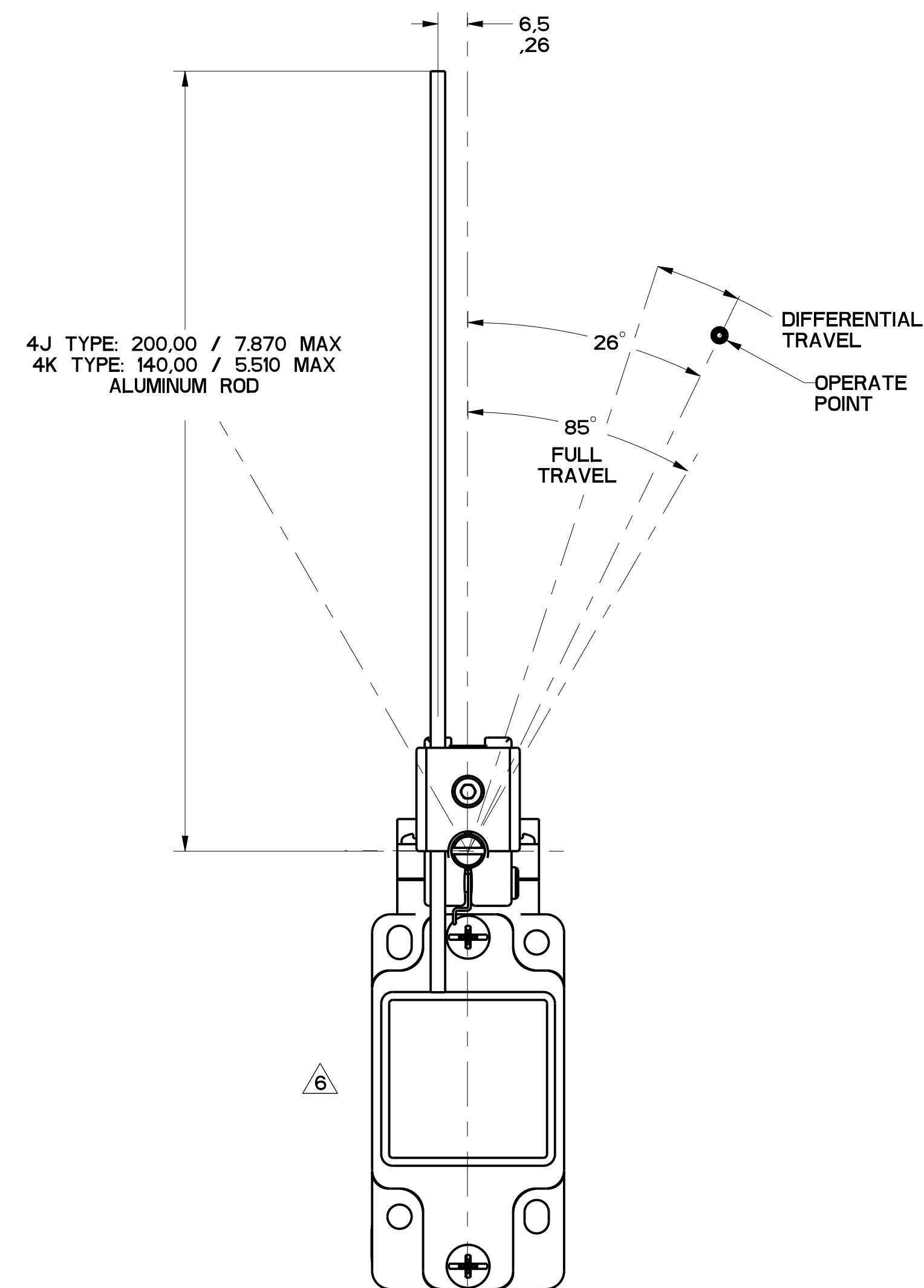


FIGURE 10

MGL SERIES CHART 1
 DRAWING NUMBER: 4 OF 13
 RELEASE NO. PR-20782
 REVISIONS: 16

REV.	DATE	BY	CHKD.	DESCRIPTION
1	02/05/61	WJ	WJ	DESIGN
2	01/05/63	WJ	WJ	DESIGN
3	00/27/66	WJ	WJ	DESIGN
4	02/23/59	WJ	WJ	DESIGN
5	07/16/66	WJ	WJ	DESIGN
6	03/12/66	WJ	WJ	DESIGN
7	08/11/68	WJ	WJ	DESIGN
8	04/26/29	WJ	WJ	DESIGN
9	05/01/68	WJ	WJ	DESIGN
10	04/26/65	WJ	WJ	DESIGN
11	07/28/69	WJ	WJ	DESIGN
12	07/30/59	WJ	WJ	DESIGN
13	03/01/60	WJ	WJ	DESIGN
14	08/25/70	WJ	WJ	DESIGN
15	08/12/72	WJ	WJ	DESIGN

THIS DRAWING COVERS A PROPRIETARY ITEM AND IS THE PROPERTY OF MICRO SWITCH, A DIVISION OF HONEYWELL. THIS DRAWING IS NOT TO BE COPIED OR USED WITHOUT THE APPROVAL OF MICRO SWITCH.

FED. MFG. CODE 91929 CATALOG LISTING

MICRO SWITCH
a Honeywell Division

SWITCH, ENCLOSED

GL SERIES CHART 1

THIRD ANGLE PROJECTION			
DO NOT SCALE PRINT			
TOLERANCES			
APPLY TO DESIGN UNITS. CONCESSIONS ARE ONLY FOR REFERENCE, UNLESS NOTED. TOLERANCES ARE:			
NO PLACES	X	1/100	0.01
ONE PLACE	X, XX	0.001/0.005	0.001/0.005
TWO PLACES	X, XX	0.01/0.005	0.001/0.005
THREE PLACES	X, XX	0.001/0.005	0.001/0.005
ANGLES		±2'	
DESIGN UNITS	<input checked="" type="checkbox"/> SI METRIC	<input type="checkbox"/> US CUSTOMARY	
WEIGHT			

FIGURES 8, 9, 10 SIDE ROTARY HEAD, ANGULAR ACTUATION

CATALOG LISTING	CONTACT BLOCK DIAGRAM	NOMINAL TRAVELS AND RELATED TERMINALS <small>■ - CONTACT CLOSED, □ - CONTACT OPEN, ▨ - CONTACT CLOSED DIFFERENTIAL TRAVEL, ** POSITIVE OPENING TO IEC 947-5-1</small>	MAXIMUM OPERATING TORQUE <small>N-m LB-IN</small>	MAXIMUM DISCONNECT TORQUE <small>N-m LB-IN</small>	MAX OPERATE DEGREE/S	MIN OPERATE DEGREE/S	MAX OPERATE FREQUENCY OPS/MIN
GL**01A GL**07A	SNAP - ACTION CONTACTS SINGLE POLE 		$\frac{.330}{2.9}$	$\frac{.385}{3.4}$	1290	13	250
GL**03A GL**33A	SLOW ACTING BREAK BEFORE MAKE 		$\frac{.330}{2.9}$	$\frac{.385}{3.4}$	1290	13	250
GL**04A GL**34A	SLOW ACTING MAKE BEFORE BREAK 		$\frac{.330}{2.9}$	$\frac{.400}{3.5}$	1290	13	250
GL**05A GL**35A	SLOW ACTING 		$\frac{.330}{2.9}$	$\frac{.385}{3.4}$	1290	13	250
GL**06A GL**36A	SLOW ACTING 		$\frac{.330}{2.9}$	$\frac{.385}{3.4}$	1290	13	250
GL**20A GL**22A GL**24A GL**32A	SNAP ACTION CONTACTS DOUBLE POLE 		$\frac{.330}{2.9}$	$\frac{.385}{3.4}$	1290	13	250
GL**21A GL**25A GL**28A GL**31A	SNAP ACTION CONTACTS DOUBLE POLE SEQUENTIAL 		$\frac{.330}{2.9}$	N/A	1290	13	250

SIDE ROTARY HEAD, CAM ACTUATION PER EN50041, FIGURES 8 AND 9

CATALOG LISTING	CONTACT BLOCK DIAGRAM	NOMINAL TRAVELS AND RELATED TERMINALS <small>■ - CONTACT CLOSED, □ - CONTACT OPEN, ▨ - CONTACT CLOSED DIFFERENTIAL TRAVEL, ** POSITIVE OPENING TO IEC 947-5-1 DIMENSIONS IN mm</small>	MAXIMUM OPERATING FORCE <small>N LB</small>	MAXIMUM DISCONNECT FORCE <small>N LB</small>	MAX OPERATE VEL <small>M/S IN/S</small>	MIN OPERATE VEL <small>mm/S IN/S</small>	MAX OPERATE FREQUENCY OPS/MIN
GL**01A GL**07A	SNAP - ACTION CONTACTS SINGLE POLE 		$\frac{9.7}{2.2}$	$\frac{11.4}{2.6}$	$\frac{.85}{33.5}$	$\frac{8.5}{.33}$	250
GL**03A GL**33A	SLOW ACTING BREAK BEFORE MAKE 		$\frac{9.7}{2.2}$	$\frac{11.4}{2.6}$	$\frac{.85}{33.5}$	$\frac{8.5}{.33}$	250
GL**04A GL**34A	SLOW ACTING MAKE BEFORE BREAK 		$\frac{9.7}{2.2}$	$\frac{11.4}{2.6}$	$\frac{.85}{33.5}$	$\frac{8.5}{.33}$	250
GL**05A GL**35A	SLOW ACTING 		$\frac{9.7}{2.2}$	$\frac{11.4}{2.6}$	$\frac{.85}{33.5}$	$\frac{8.5}{.33}$	250
GL**06A GL**36A	SLOW ACTING 		$\frac{9.7}{2.2}$	$\frac{11.4}{2.6}$	$\frac{.85}{33.5}$	$\frac{8.5}{.33}$	250
GL**20A GL**22A GL**24A GL**32A	SNAP ACTION CONTACTS DOUBLE POLE 		$\frac{9.7}{2.2}$	$\frac{11.8}{2.7}$	$\frac{.85}{33.5}$	$\frac{8.5}{.33}$	250
GL**21A GL**25A GL**28A GL**31A	SNAP ACTION CONTACTS DOUBLE POLE SEQUENTIAL 		$\frac{9.7}{2.2}$	N/A	$\frac{.85}{33.5}$	$\frac{8.5}{.33}$	250
GL**26J GL**27J GL**29J GL**30J	SNAP ACTION CONTACTS DOUBLE POLE CENTER NEUTRAL 		$\frac{9.7}{2.2}$	N/A	$\frac{.85}{33.5}$	$\frac{8.5}{.33}$	250

MGL SERIES CHART 1
 DRAWING NUMBER: 5 OF 13
 RELEASE NO. PR-20782
 DATE: 05/03/10
 CHECK: CMH
 PTC/CAD
 L.S. 26AUG93
 16
 0000491
 01 JUN03
 0002986
 20 JAN84
 0023759
 07 MAR86
 0037216
 08 FEB88
 0043629
 05 FEB88
 0048605
 07 FEB89
 0075058
 08 FEB89
 0084570
 08 FEB89
 0084570

THIRD ANGLE PROJECTION

SCALE: -

DO NOT SCALE PRINT

TOLERANCES

APPLY TO DESIGN UNITS. CONVERSIONS ARE ONLY FOR REFERENCE. UNLESS NOTED, TOLERANCES ARE:

	MM	TOL.	IN	TOL.
NO PLACES	X	12.04	X	0.4715
ONE PLACE	X.1	0.40714	X.001	0.00015
TWO PLACES	X.01	0.152006	X.0001	0.00005
THREE PLACES	X.001	0.00152006	X.00001	0.000005

DESIGN UNITS: SI METRIC US CUSTOMARY

WEIGHT

THIS DRAWING COVERS A PROPRIETARY ITEM AND IS THE PROPERTY OF MICRO SWITCH, A DIVISION OF HONEYWELL. THIS DRAWING IS NOT TO BE COPIED OR USED WITHOUT THE APPROVAL OF MICRO SWITCH.

FED. MFG. CODE 91929

CATALOG LISTING

MICRO SWITCH
a Honeywell Division

SWITCH, ENCLOSED

GL SERIES CHART 1

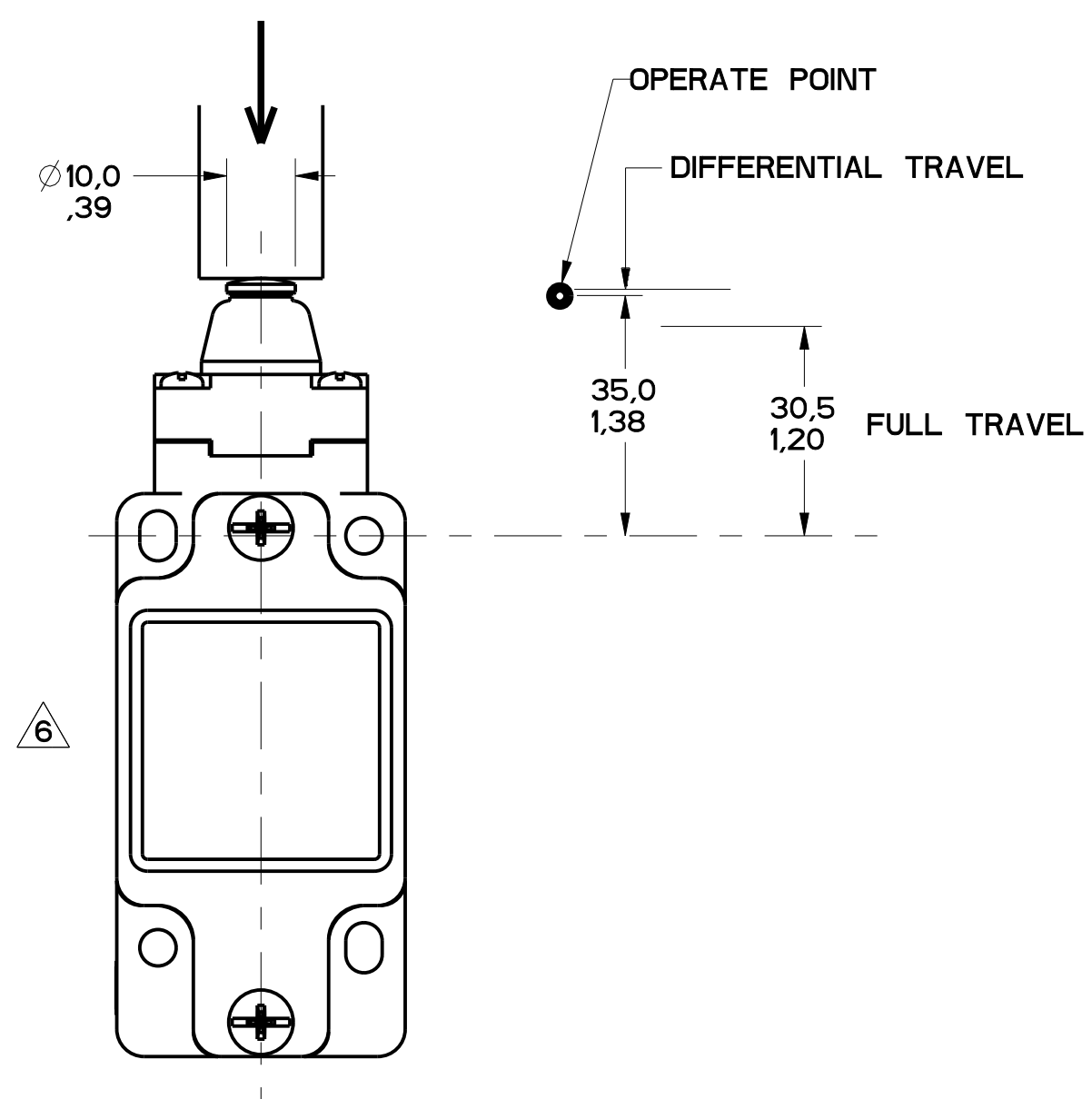


FIGURE 11

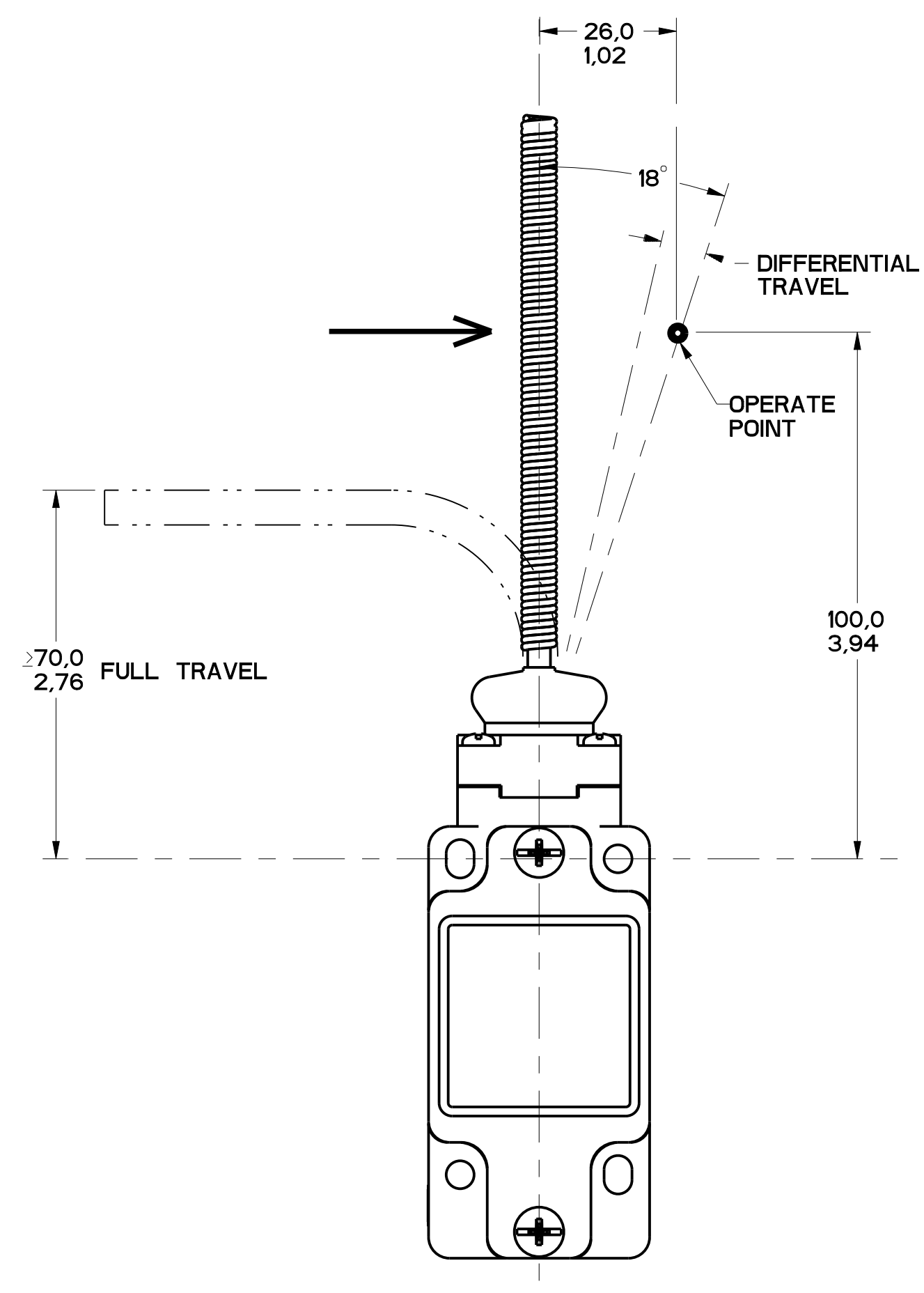


FIGURE 12

MGL SERIES CHART 1
 DRAWING NUMBER: 6 OF 13
 RELEASE NO. PR-20782
 ISSUE: 16
 DATE: 05 OCT 10
 CHECK: CMH
 DATE: 20 JAN 84
 DATE: 02 27 59
 DATE: 07 16 86
 DATE: 03 12 16
 DATE: 01 18 88
 DATE: 04 26 29
 DATE: 05 18 88
 DATE: 04 26 83
 DATE: 07 28 89
 DATE: 07 30 58
 DATE: 03 11 10
 DATE: 08 25 78
 DATE: 12 01 12
 P.T.C./CAD: 3D
 DRAWN: L.S. 26 AUG 83
 CHECK: G.H.

THIS DRAWING COVERS A PROPRIETARY ITEM AND IS THE PROPERTY OF MICRO SWITCH, A DIVISION OF HONEYWELL. THIS DRAWING IS NOT TO BE COPIED OR USED WITHOUT THE APPROVAL OF MICRO SWITCH. FED. MFG. CODE 91929		CATALOG LISTING	
MICRO SWITCH a Honeywell Division		SWITCH, ENCLOSED	
DESIGN UNITS: <input checked="" type="checkbox"/> SI METRIC <input type="checkbox"/> US CUSTOMARY		GL SERIES CHART 1	
TOLERANCES APPLY TO DESIGN UNITS. CONCESSIONS ARE ONLY FOR REFERENCE, UNLESS NOTED. TOLERANCES ARE:		THIRD ANGLE PROJECTION SCALE: 1:1 DO NOT SCALE PRINT	
NO PLACES	X	±0,04	±0,01
TWO PLACES	X,1X	0,01/0,04	0,01/0,05
THREE PLACES	X,1X	0,01/0,008	0,01/0,015
ANGLES		±2°	
WEIGHT			

FIGURES 11, PIN PLUNGER HEAD, LINEAR ACTUATION

CATALOG LISTING	CONTACT BLOCK DIAGRAM	NOMINAL TRAVELS AND RELATED TERMINALS ■ CONTACT CLOSED, □ CONTACT OPEN, ▨ CONTACT CLOSED DIFFERENTIAL TRAVEL, ** POSITIVE OPENING TO IEC 947-5-1	MAXIMUM OPERATING FORCE $\frac{N}{LB}$	MAXIMUM DISCONNECT FORCE $\frac{N}{LB}$	MAX OPERATE VEL $\frac{m}{in}/S$	MIN OPERATE VEL $\frac{mm}{in}/S$	MAX OPERATE FREQUENCY OPS/MIN
GL**01B GL**07B	SNAP - ACTION CONTACTS SINGLE POLE 	37.5 35 33** 30.5 21-22 13-14 0.9 DIFFERENTIAL TRAVEL	$\frac{16}{3.6}$	$\frac{27}{6.0}$	$\frac{0.1}{3.9}$	$\frac{1.0}{.04}$	250
GL**03B GL**33B	SLOW ACTING BREAK BEFORE MAKE 	37.5 35** 30.5 21-22 13-14 34	$\frac{16}{3.6}$	$\frac{27}{6.0}$	$\frac{0.1}{3.9}$	$\frac{1.0}{.04}$	250
GL**04B GL**34B	SLOW ACTING MAKE BEFORE BREAK 	37.5 34** 30.5 21-22 13-14 35	$\frac{16}{3.6}$	$\frac{27}{6.0}$	$\frac{0.1}{3.9}$	$\frac{1.0}{.04}$	250
GL**05B GL**35B	SLOW ACTING 	37.5 34 30.5 13-14 23-24	$\frac{16}{3.6}$	$\frac{27}{6.0}$	$\frac{0.1}{3.9}$	$\frac{1.0}{.04}$	250
GL**06B GL**36B	SLOW ACTING 	37.5 35** 30.5 11-12 21-22 34	$\frac{16}{3.6}$	$\frac{27}{6.0}$	$\frac{0.1}{3.9}$	$\frac{1.0}{.04}$	250
GL**20B GL**22B GL**24B GL**32B	SNAP ACTION CONTACTS DOUBLE POLE 	37.5 35 33** 30.5 11-12, 21-22 13-14, 23-24 0.9 DIFFERENTIAL TRAVEL	$\frac{16}{3.6}$	$\frac{37}{8.2}$	$\frac{0.1}{3.9}$	$\frac{1.0}{.04}$	250
GL**21B GL**25B GL**28B GL**31B	STEP 1 STEP 2 SNAP ACTION CONTACTS DOUBLE POLE SEQUENTIAL 	37.5 35 33.8 30.5 11-12 13-14 21-22 23-24 .8 DIFFERENTIAL TRAVEL	$\frac{16}{3.6}$	N/A	$\frac{0.1}{3.9}$	$\frac{1.0}{.04}$	250

FIGURE 12, WOBBLE HEAD, ANGULAR ACTUATION

CATALOG LISTING	CONTACT BLOCK DIAGRAM	NOMINAL TRAVELS AND RELATED TERMINALS ■ CONTACT CLOSED, □ CONTACT OPEN, ▨ CONTACT CLOSED DIFFERENTIAL TRAVEL, ** POSITIVE OPENING TO IEC 947-5-1	MAXIMUM OPERATING TORQUE $\frac{N-m}{LB/in}$	MAXIMUM DISCONNECT TORQUE $\frac{N-m}{LB/in}$	MAX OPERATE DEGREE/S	MIN OPERATE VELOCITY DEGREE/S	MAX OPERATE RATE CYCLES/MIN
GL**01E GL**07E	SNAP - ACTION CONTACTS SINGLE POLE 	21-22 13-14 18° 8° DIFFERENTIAL TRAVEL	$\frac{0.2}{1.8}$	N/A	360	8	100
GL**03E GL**33E	SLOW ACTING BREAK BEFORE MAKE 	21-22 13-14 0° 18° 25° 35°	$\frac{0.2}{1.8}$	N/A	360	8	100
GL**04E GL**34E	SLOW ACTING MAKE BEFORE BREAK 	21-22 13-14 0° 18° 25° 35°	$\frac{0.2}{1.8}$	N/A	360	8	100
GL**05E GL**35E	SLOW ACTING 	13-14 23-24 0° 25° 35°	$\frac{0.2}{1.8}$	N/A	360	8	100
GL**06E GL**36E	SLOW ACTING 	11-12 21-22 0° 18° 35°	$\frac{0.2}{1.8}$	N/A	360	8	100
GL**20E GL**22E GL**24E GL**32E	SNAP ACTION CONTACTS DOUBLE POLE 	11-12, 21-22 13-14, 23-24 18° 8° DIFFERENTIAL TRAVEL	$\frac{0.2}{1.8}$	N/A	360	8	100

FIGURE 12, WOBBLE HEAD, SIDE ACTUATION AT 100mm

CATALOG LISTING	CONTACT BLOCK DIAGRAM	NOMINAL TRAVELS AND RELATED TERMINALS ■ CONTACT CLOSED, □ CONTACT OPEN, ▨ CONTACT CLOSED DIFFERENTIAL TRAVEL, ** POSITIVE OPENING TO IEC 947-5-1	MAXIMUM OPERATING FORCE $\frac{N}{LB}$	MAXIMUM DISCONNECT FORCE $\frac{N}{LB}$	MAX OPERATE VEL $\frac{m}{in}/S$	MIN OPERATE VEL $\frac{mm}{in}/S$	MAX OPERATE FREQUENCY OPS/MIN
GL**01E GL**07E	SNAP - ACTION CONTACTS SINGLE POLE 	21-22 13-14 26 12 DIFFERENTIAL TRAVEL	$\frac{2.5}{0.6}$	N/A	$\frac{.5}{19.7}$	$\frac{11}{.43}$	100
GL**03E GL**33E	SLOW ACTING BREAK BEFORE MAKE 	21-22 13-14 26.5 38.1	$\frac{2.5}{0.6}$	N/A	$\frac{.5}{19.7}$	$\frac{11}{.43}$	100
GL**04E GL**34E	SLOW ACTING MAKE BEFORE BREAK 	21-22 13-14 26.5 38.1	$\frac{2.5}{0.6}$	N/A	$\frac{.5}{19.7}$	$\frac{11}{.43}$	100
GL**05E GL**35E	SLOW ACTING 	13-14 23-24 38.1	$\frac{2.5}{0.6}$	N/A	$\frac{.5}{19.7}$	$\frac{11}{.43}$	100
GL**06E GL**36E	SLOW ACTING 	11-12 21-22 26.5	$\frac{2.5}{0.6}$	N/A	$\frac{.5}{19.7}$	$\frac{11}{.43}$	100
GL**20E GL**22E GL**24E GL**32E	SNAP ACTION CONTACTS DOUBLE POLE 	11-12, 21-22 13-14, 23-24 26	$\frac{2.5}{0.6}$	N/A	360	8	100

MGL SERIES CHART 1
 DRAWING NUMBER: 7 OF 13
 RELEASE NO. PR-201782
 ISSUE: 16
 CHECK: CMH
 DATE: 05/03/10
 CHECK: CMH
 DATE: 25/01/03
 PTC/CAD: [blank]
 DRAWN: [blank]

THIS DRAWING COVERS A PROPRIETARY ITEM AND IS THE PROPERTY OF MICRO SWITCH, A DIVISION OF HONEYWELL. THIS DRAWING IS NOT TO BE COPIED OR USED WITHOUT THE APPROVAL OF MICRO SWITCH.

FED. MFG. CODE 91929

MICRO SWITCH
a Honeywell Division

SWITCH, ENCLOSED

CATALOG LISTING
GL SERIES CHART 1

THIRD ANGLE PROJECTION

SCALE: -

DO NOT SCALE PRINT

TOLERANCES
APPLY TO DESIGN UNITS. CONVERSIONS ARE ONLY FOR REFERENCE. UNLESS NOTED, TOLERANCES ARE:

NO PLACES	ONE PLACE	TWO PLACES	THREE PLACES	SI METRIC	US CUSTOMARY
±.001	±.0005	±.0002	±.0001	±.025	±.0005
±.001	±.0005	±.0002	±.0001	±.025	±.0005
±.001	±.0005	±.0002	±.0001	±.025	±.0005
±.001	±.0005	±.0002	±.0001	±.025	±.0005

DESIGN UNITS: SI METRIC US CUSTOMARY

WEIGHT

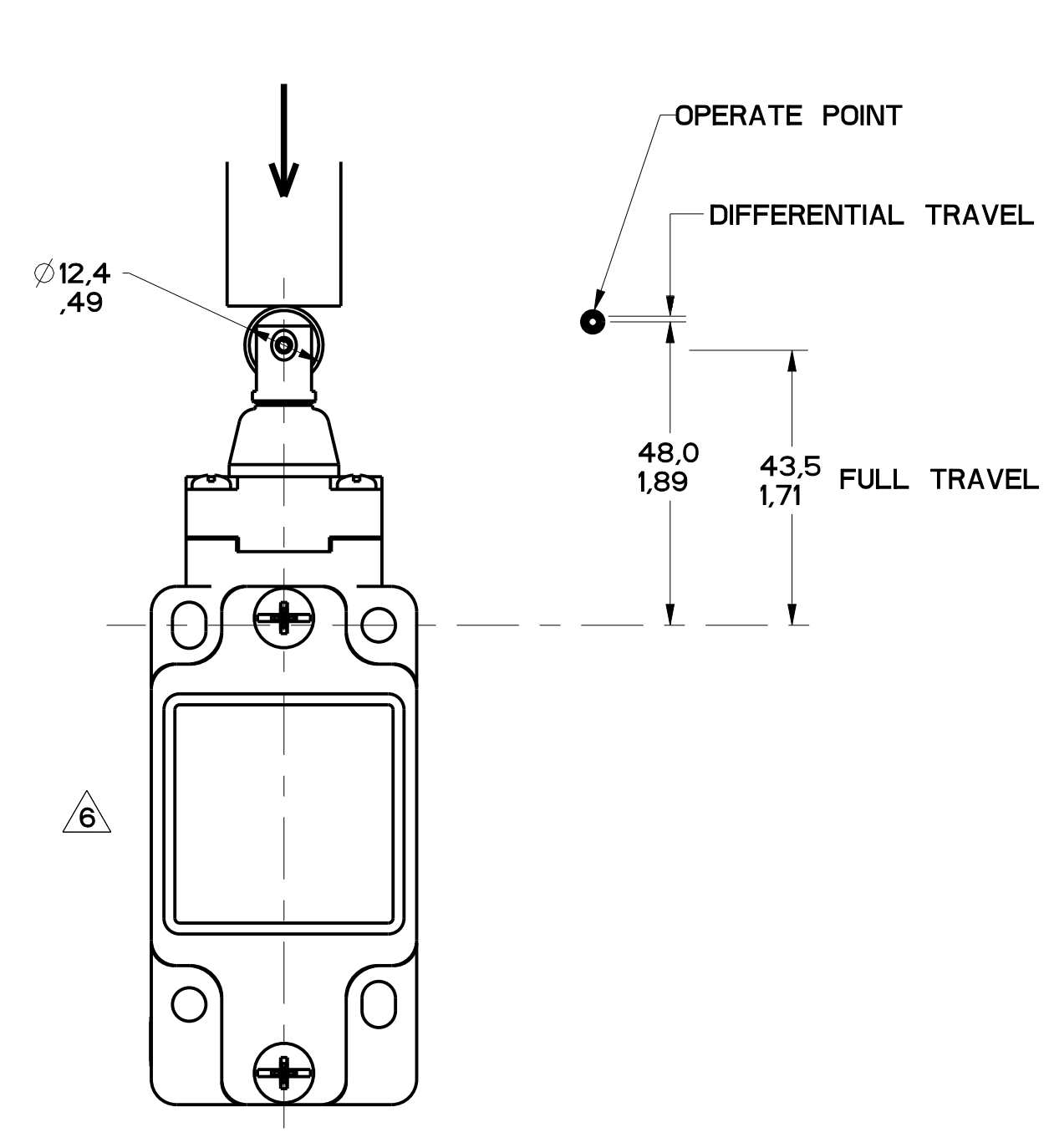


FIGURE 13A

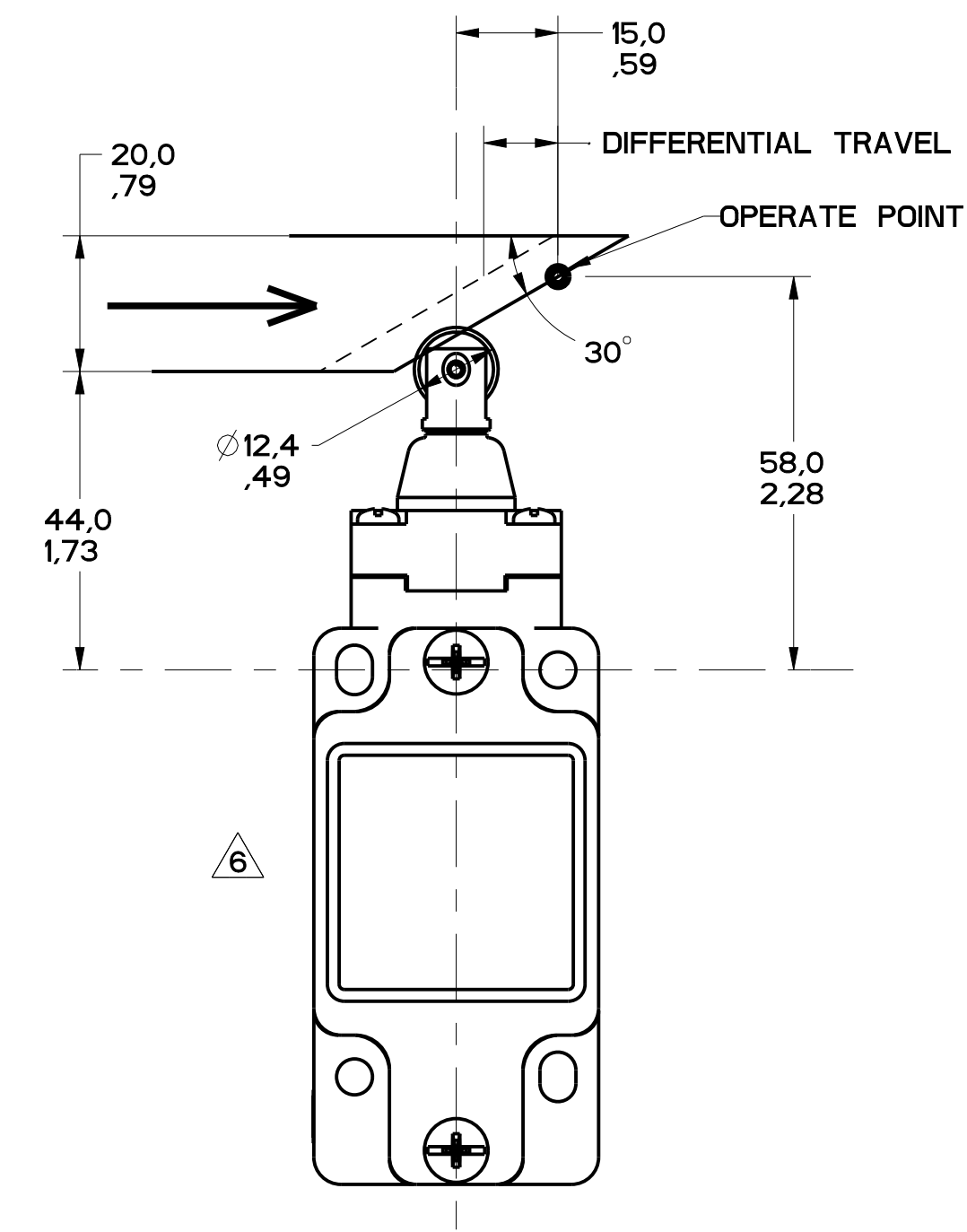


FIGURE 13B

MGL SERIES CHART 1
 DRAWING NUMBER: 8 OF 13
 ISSUE: 16
 CHECKED: CMH 12 OCT 12
 RELEASE NO.: PR-20782
 APPROVALS:
 H 0023759
 J 0037216
 K 0043629
 L 0048605
 M 0073059
 N 0094510
 20 APR 83
 P.T.C./CAD
 L.S. 20 APR 83
 ARROW.COM

THIS DRAWING COVERS A PROPRIETARY ITEM AND IS THE PROPERTY OF MICRO SWITCH, A DIVISION OF HONEYWELL. THIS DRAWING IS NOT TO BE COPIED OR USED WITHOUT THE APPROVAL OF MICRO SWITCH.			
FED. MFG. CODE 91929 MICRO SWITCH a Honeywell Division		CATALOG LISTING SWITCH, ENCLOSED GL SERIES CHART 1	
DESIGN UNITS: SI METRIC <input checked="" type="checkbox"/> US CUSTOMARY <input type="checkbox"/>		TOLERANCES APPLY TO DESIGN UNITS. CONCESSIONS ARE ONLY FOR REFERENCE, UNLESS NOTED. TOLERANCES ARE: DIM. TOL. DIM. TOL. NO. PLACES X mm .01 mm .01 mm .01 mm ONE PLACE X.1 0.40 DIA. X.1 0.80 DIA. TWO PLACES X.1X 0.157 DIA. X.1X 0.30 DIA. THREE PLACES X.1XX 0.157 DIA. X.1XX 0.157 DIA. ANGLES ± 2° ± 2°	
WEIGHT			

THIRD ANGLE PROJECTION

 SCALE: 1:1
 DO NOT SCALE PRINT

FIGURE 13A, ROLLER PLUNGER HEAD, PIN ACTUATION

CATALOG LISTING	CONTACT BLOCK DIAGRAM	NOMINAL TRAVELS AND RELATED TERMINALS ■ CONTACT CLOSED, □ CONTACT OPEN, ▨ CONTACT CLOSED DIFFERENTIAL TRAVEL, ** POSITIVE OPENING TO IEC 947-5-1	MAXIMUM OPERATING FORCE $\frac{N}{LB}$	MAXIMUM DISCONNECT FORCE $\frac{N}{LB}$	MAX OPERATE VEL $\frac{M/S}{IN/S}$	MIN OPERATE VEL $\frac{MM/S}{IN/S}$	MAX OPERATE FREQUENCY OPS/MIN
GL**01C GL**07C	SNAP - ACTION CONTACTS SINGLE POLE 		$\frac{16}{3.6}$	$\frac{27}{6.0}$	$\frac{0.1}{3.9}$	$\frac{1.0}{.04}$	250
GL**03C GL**33C	SLOW ACTING BREAK BEFORE MAKE 		$\frac{16}{3.6}$	$\frac{27}{6.0}$	$\frac{0.1}{3.9}$	$\frac{1.0}{.04}$	250
GL**04C GL**34C	SLOW ACTING MAKE BEFORE BREAK 		$\frac{16}{3.6}$	$\frac{27}{6.0}$	$\frac{0.1}{3.9}$	$\frac{1.0}{.04}$	250
GL**05C GL**35C	SLOW ACTING 		$\frac{16}{3.6}$	$\frac{27}{6.0}$	$\frac{0.1}{3.9}$	$\frac{1.0}{.04}$	250
GL**06C GL**36C	SLOW ACTING 		$\frac{16}{3.6}$	$\frac{27}{6.0}$	$\frac{0.1}{3.9}$	$\frac{1.0}{.04}$	250
GL**20C GL**22C GL**24C GL**32C	SNAP ACTION CONTACTS DOUBLE POLE 		$\frac{16}{3.6}$	$\frac{37}{8.2}$	$\frac{0.1}{3.9}$	$\frac{1.0}{.04}$	250
GL**21C GL**25C GL**28C GL**31C	STEP 1 STEP 2 SNAP ACTION CONTACTS DOUBLE POLE SEQUENTIAL 		$\frac{16}{3.6}$	N/A	$\frac{0.1}{3.9}$	$\frac{1.0}{.04}$	250

FIGURE 13B, TOP ROLLER PLUNGER HEAD, CAM ACTUATION PER EN50041

CATALOG LISTING	CONTACT BLOCK DIAGRAM	NOMINAL TRAVELS AND RELATED TERMINALS ■ CONTACT CLOSED, □ CONTACT OPEN, ▨ CONTACT CLOSED DIFFERENTIAL TRAVEL, ** POSITIVE OPENING TO IEC 947-5-1	MAXIMUM OPERATING FORCE $\frac{N}{LB}$	MAXIMUM DISCONNECT FORCE $\frac{N}{LB}$	MAX OPERATE VEL $\frac{M/S}{IN/S}$	MIN OPERATE VEL $\frac{MM/S}{IN/S}$	MAX OPERATE FREQUENCY OPS/MIN
GL**01C GL**07C	SNAP - ACTION CONTACTS SINGLE POLE 		$\frac{9.3}{2.1}$	$\frac{15.6}{3.5}$	$\frac{0.17}{6.7}$	$\frac{1.7}{.067}$	250
GL**03C GL**33C	SLOW ACTING BREAK BEFORE MAKE 		$\frac{9.3}{2.1}$	$\frac{15.6}{3.5}$	$\frac{0.17}{6.7}$	$\frac{1.7}{.067}$	250
GL**04C GL**34C	SLOW ACTING MAKE BEFORE BREAK 		$\frac{9.3}{2.1}$	$\frac{15.6}{3.5}$	$\frac{0.17}{6.7}$	$\frac{1.7}{.067}$	250
GL**05C GL**35C	SLOW ACTING 		$\frac{9.3}{2.1}$	$\frac{15.6}{3.5}$	$\frac{0.17}{6.7}$	$\frac{1.7}{.067}$	250
GL**06C GL**36C	SLOW ACTING 		$\frac{9.3}{2.1}$	$\frac{15.6}{3.5}$	$\frac{0.17}{6.7}$	$\frac{1.7}{.067}$	250
GL**20C GL**22C GL**24C GL**32C	SNAP ACTION CONTACTS DOUBLE POLE 		$\frac{9.3}{2.1}$	$\frac{21.4}{4.8}$	$\frac{0.17}{6.7}$	$\frac{1.7}{.067}$	250
GL**21C GL**25C GL**28C GL**31C	STEP 1 STEP 2 SNAP ACTION CONTACTS DOUBLE POLE SEQUENTIAL 		$\frac{9.3}{2.1}$	N/A	$\frac{0.17}{6.7}$	$\frac{1.7}{.067}$	250

MGL SERIES CHART 1
 DRAWING NUMBER: 9 OF 13
 RELEASE NO. PR-20782
 DATE: 05 OCT 12
 CHECK: CMH
 PTC/CAD: L.S. OSWALDO
 DRAWN: SAJ
 CHECK: SAJ
 DATE: 03 MAR 01
 PTC/CAD: L.S. OSWALDO
 DRAWN: SAJ
 CHECK: SAJ
 DATE: 03 MAR 01

REV	DATE	BY	CHKD
1	080504	CMH	CMH
2	080503	CMH	CMH
3	080786	CMH	CMH
4	080804	CMH	CMH
5	082359	CMH	CMH
6	082606	CMH	CMH
7	083216	CMH	CMH
8	084605	CMH	CMH
9	084605	CMH	CMH
10	084605	CMH	CMH
11	084605	CMH	CMH
12	084605	CMH	CMH
13	084605	CMH	CMH
14	084605	CMH	CMH
15	084605	CMH	CMH
16	084605	CMH	CMH
17	084605	CMH	CMH
18	084605	CMH	CMH
19	084605	CMH	CMH
20	084605	CMH	CMH
21	084605	CMH	CMH
22	084605	CMH	CMH
23	084605	CMH	CMH
24	084605	CMH	CMH
25	084605	CMH	CMH
26	084605	CMH	CMH
27	084605	CMH	CMH
28	084605	CMH	CMH
29	084605	CMH	CMH
30	084605	CMH	CMH

THIS DRAWING COVERS A PROPRIETARY ITEM AND IS THE PROPERTY OF MICRO SWITCH, A DIVISION OF HONEYWELL. THIS DRAWING IS NOT TO BE COPIED OR USED WITHOUT THE APPROVAL OF MICRO SWITCH.

FED. MFG. CODE 91929

MICRO SWITCH
a Honeywell Division

SWITCH, ENCLOSED

CATALOG LISTING
GL SERIES CHART 1

THIRD ANGLE PROJECTION

SCALE: -

DO NOT SCALE PRINT

TOLERANCES
APPLY TO DESIGN UNITS. CONVERSIONS ARE ONLY FOR REFERENCE. UNLESS NOTED, TOLERANCES ARE:

NO. PLACES	INCHES	MILLIMETERS	NO. PLACES	INCHES	MILLIMETERS
TWO	±.001	±.025	TWO	±.001	±.025
THREE	±.0005	±.0125	THREE	±.0005	±.0125
FOUR	±.0002	±.005	FOUR	±.0002	±.005

DESIGN UNITS: SI METRIC US CUSTOMARY

WEIGHT

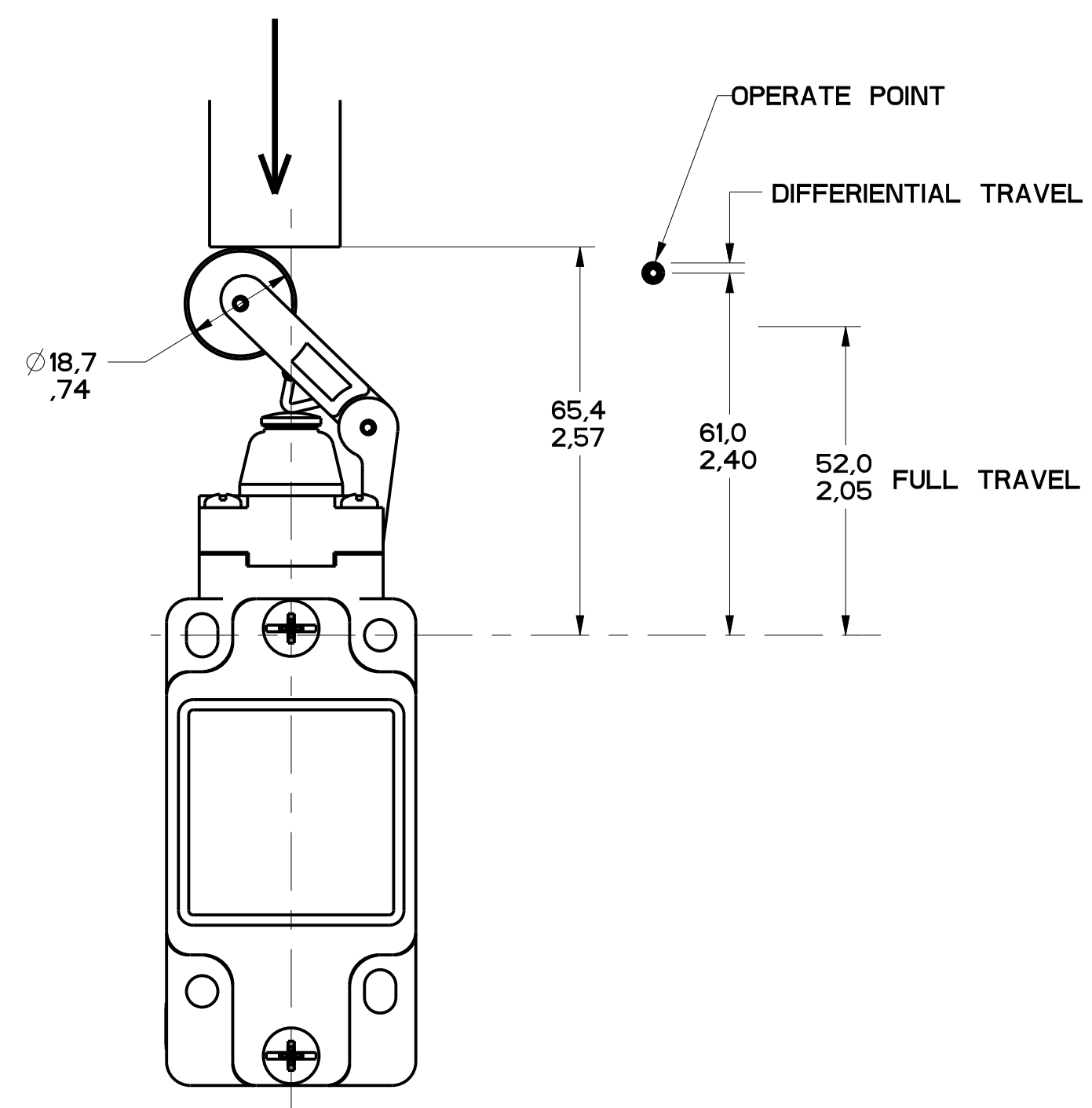


FIGURE 14A

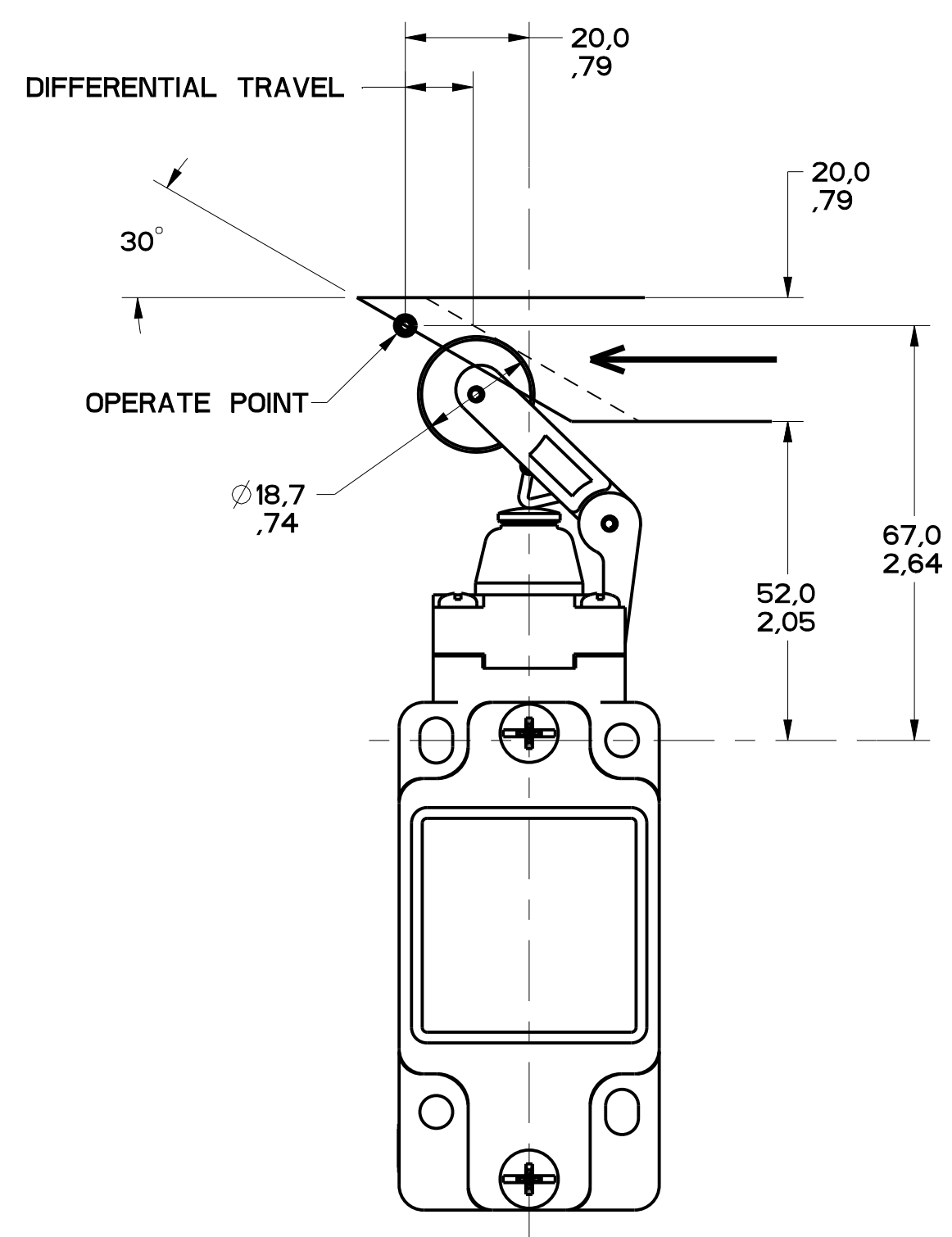


FIGURE 14B

MGL SERIES CHART 1
PAGE 10 OF 13

ISSUE	16
DRAWING NUMBER	1200112
RELEASE NO.	
DESIGNER	SAV
CHECKER	CMH
DATE	02MARCH 82
BY	SAV
CHKD	CMH
APP'D	
REV	
DATE	
BY	
CHKD	
APP'D	
REV	
DATE	
BY	
CHKD	
APP'D	
REV	
DATE	
BY	
CHKD	
APP'D	

THIS DRAWING COVERS A PROPRIETARY ITEM AND IS THE PROPERTY OF MICRO SWITCH, A DIVISION OF HONEYWELL. THIS DRAWING IS NOT TO BE COPIED OR USED WITHOUT THE APPROVAL OF MICRO SWITCH.		CATALOG LISTING	
MICRO SWITCH a Honeywell Division		SWITCH, ENCLOSED GL SERIES CHART 1	
TOLERANCES APPLY TO DESIGN UNITS. CONCESSIONS ARE ONLY FOR REFERENCE, UNLESS NOTED. TOLERANCES ARE:		SI METRIC US CUSTOMARY	
NO. PLACES	±0.04	NO. PLACES	±0.0015
ONE PLACE	±0.04	TWO PLACES	±0.0015
TWO PLACES	±0.004	THREE PLACES	±0.0005
THREE PLACES	±0.0005	ANGLES	±2°
DESIGN UNITS	SI METRIC	WEIGHT	US CUSTOMARY

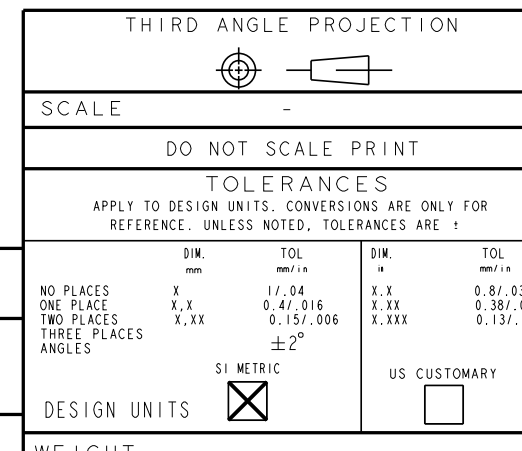
FIGURE 14A, TOP ROLLER LEVER HEAD WITH PIN ACTUATION

CATALOG LISTING	CONTACT BLOCK DIAGRAM	NOMINAL TRAVELS AND RELATED TERMINALS ■ - CONTACT CLOSED, □ - CONTACT OPEN, ▨ - CONTACT CLOSED DIFFERENTIAL TRAVEL, ** POSITIVE OPENING TO IEC 947-5-1	MAXIMUM OPERATING FORCE $\frac{N}{LB}$	MAXIMUM DISCONNECT FORCE $\frac{N}{LB}$	MAX OPERATE VEL $\frac{M/S}{IN/S}$	MIN OPERATE VEL $\frac{M/S}{IN/S}$	MAX OPERATE FREQUENCY OPS/MIN
GL**01D GL**07D	SNAP - ACTION CONTACTS SINGLE POLE 		$\frac{9.5}{2.1}$	$\frac{12}{2.7}$	$\frac{0.17}{6.7}$	$\frac{1.7}{.067}$	250
GL**03D GL**33D	SLOW ACTING BREAK BEFORE MAKE 		$\frac{9.5}{2.1}$	$\frac{12}{2.7}$	$\frac{0.17}{6.7}$	$\frac{1.7}{.067}$	250
GL**04D GL**34D	SLOW ACTING MAKE BEFORE BREAK 		$\frac{9.5}{2.1}$	$\frac{12}{2.7}$	$\frac{0.17}{6.7}$	$\frac{1.7}{.067}$	250
GL**05D GL**35D	SLOW ACTING 		$\frac{9.5}{2.1}$	$\frac{12}{2.7}$	$\frac{0.17}{6.7}$	$\frac{1.7}{.067}$	250
GL**06D GL**36D	SLOW ACTING 		$\frac{9.5}{2.1}$	$\frac{12}{2.7}$	$\frac{0.17}{6.7}$	$\frac{1.7}{.067}$	250
GL**20D GL**22D GL**24D GL**32D	SNAP ACTION CONTACTS DOUBLE POLE 		$\frac{9.5}{2.1}$	$\frac{16.4}{3.7}$	$\frac{0.17}{6.7}$	$\frac{1.7}{.067}$	250
GL**21D GL**25D GL**28D GL**31D	STEP 1 STEP 2 SNAP ACTION CONTACTS DOUBLE POLE SEQUENTIAL 		$\frac{9.5}{2.1}$	N/A	$\frac{0.17}{6.7}$	$\frac{1.7}{.067}$	250

FIGURE 14B, TOP ROLLER LEVER HEAD WITH CAM ACTUATION

CATALOG LISTING	CONTACT BLOCK DIAGRAM	NOMINAL TRAVELS AND RELATED TERMINALS ■ - CONTACT CLOSED, □ - CONTACT OPEN, ▨ - CONTACT CLOSED DIFFERENTIAL TRAVEL, ** POSITIVE OPENING TO IEC 947-5-1	MAXIMUM OPERATING FORCE $\frac{N}{LB}$	MAXIMUM DISCONNECT FORCE $\frac{N}{LB}$	MAX OPERATE VEL $\frac{M/S}{IN/S}$	MIN OPERATE VEL $\frac{M/S}{IN/S}$	MAX OPERATE FREQUENCY OPS/MIN
GL**01D GL**07D	SNAP - ACTION CONTACTS SINGLE POLE 		$\frac{5.5}{1.2}$	$\frac{7.0}{1.6}$	$\frac{0.29}{11.4}$	$\frac{2.9}{.11}$	250
GL**03D GL**33D	SLOW ACTING BREAK BEFORE MAKE 		$\frac{5.5}{1.2}$	$\frac{7.0}{1.6}$	$\frac{0.29}{11.4}$	$\frac{2.9}{.11}$	250
GL**04D GL**34D	SLOW ACTING MAKE BEFORE BREAK 		$\frac{5.5}{1.2}$	$\frac{9.6}{2.2}$	$\frac{0.29}{11.4}$	$\frac{2.9}{.11}$	250
GL**05D GL**35D	SLOW ACTING 		$\frac{5.5}{1.2}$	$\frac{7.0}{1.6}$	$\frac{0.29}{11.4}$	$\frac{2.9}{.11}$	250
GL**06D GL**36D	SLOW ACTING 		$\frac{5.5}{1.2}$	$\frac{7.0}{1.6}$	$\frac{0.29}{11.4}$	$\frac{2.9}{.11}$	250
GL**20D GL**22D GL**24D GL**32D	SNAP ACTION CONTACTS DOUBLE POLE 		$\frac{5.5}{1.2}$	$\frac{7.0}{1.6}$	$\frac{0.29}{11.4}$	$\frac{2.9}{.11}$	250
GL**21D GL**25D GL**28D GL**31D	STEP 1 STEP 2 SNAP ACTION CONTACTS DOUBLE POLE SEQUENTIAL 		$\frac{5.5}{1.2}$	N/A	$\frac{0.29}{11.4}$	$\frac{2.9}{.11}$	250

MGL SERIES CHART 1
 DRAWING NUMBER: 11 OF 13
 ISSUE: 16
 PTC/CAD: 3D
 DRAWN: CMH
 CHECK: CMH
 DATE: 05/01/10
 RELEASE NO.:
 REVISIONS:
 1 0000491
 2 JUN03
 3 0002986
 4 2014084
 5 0023759
 6 0716006
 7 0037216
 8 0818008
 9 0043629
 10 00100
 11 0048605
 12 007800
 13 007800
 14 007800
 15 0094570
 16 1206112



THIS DRAWING COVERS A PROPRIETARY ITEM AND IS THE PROPERTY OF MICRO SWITCH, A DIVISION OF HONEYWELL. THIS DRAWING IS NOT TO BE COPIED OR USED WITHOUT THE APPROVAL OF MICRO SWITCH.

FED. MFG. CODE 91929

CATALOG LISTING

MICRO SWITCH
a Honeywell Division

SWITCH, ENCLOSED

GL SERIES CHART 1

WEIGHT

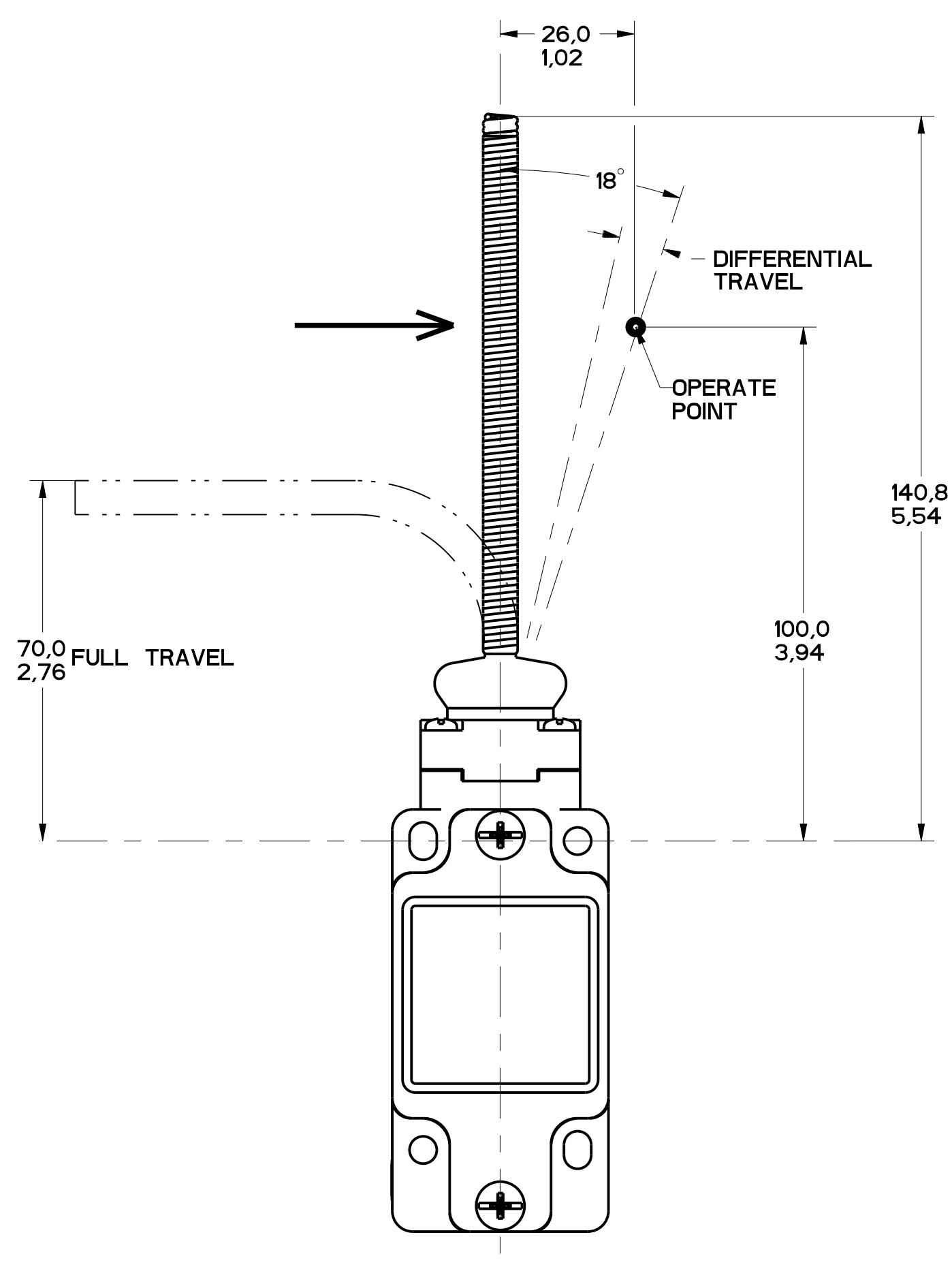


FIGURE 15

MGL SERIES CHART 1
 DRAWING NUMBER: 12 OF 13
 ISSUE: 16
 P.T.C./CAD: 3D
 DRAWN: G.H. / 05MARC01
 CHECK: S.A.V. / 05MARC01
 APPROVAL: S.A.V. / 05MARC01
 RELEASE NO.: -
 REVISIONS:
 I 0005041
 J 01003
 K 0007986
 L 2014084
 M 0023759
 N 0710066
 O 0037216
 P 0010088
 Q 0043629
 R 0010088
 S 0010088
 T 0048605
 U 0010088
 V 0010088
 W 0010088
 X 0010088
 Y 0010088
 Z 0010088

THIS DRAWING COVERS A PROPRIETARY ITEM AND IS THE PROPERTY OF MICRO SWITCH, A DIVISION OF HONEYWELL. THIS DRAWING IS NOT TO BE COPIED OR USED WITHOUT THE APPROVAL OF MICRO SWITCH.		FEDERAL MFG. CODE 91929	
MICRO SWITCH a Honeywell Division		CATALOG LISTING	
SWITCH, ENCLOSED		GL SERIES CHART 1	
DESIGN UNITS: <input checked="" type="checkbox"/> SI METRIC <input type="checkbox"/> US CUSTOMARY		TOLERANCES: DO NOT SCALE PRINT APPLY TO DESIGN UNITS. CONVERSIONS ARE ONLY FOR REFERENCE, UNLESS NOTED. TOLERANCES ARE:	
NO. PLACES ONE PLACE TWO PLACES THREE PLACES ANGLES	SI X .1 X .01 X .001 ±2°	US X .005 X .0005 X .0001 ±2°	TOL. .015 .0025 .0005 .0001
WEIGHT			

FIGURE 15, CAT WISKER HEAD, ANGULAR ACTUATION

CATALOG LISTING	CONTACT BLOCK DIAGRAM	NOMINAL TRAVELS AND RELATED TERMINALS ■ - CONTACT CLOSED, □ - CONTACT OPEN, ▨ - CONTACT CLOSED DIFFERENTIAL TRAVEL	MAXIMUM OPERATING TORQUE N-m LB-IN	MAXIMUM DISCONNECT TORQUE N-m LB-IN	MAX OPERATE DEGREE/S	MIN OPERATE VELOCITY DEGREE/S	MAX OPERATE RATE CYCLES/MIN
GL**01K GL**07K	SNAP - ACTION CONTACTS SINGLE POLE 	 18° 8° DIFFERENTIAL TRAVEL	0.1 .9	N/A	360	8	100
GL**03K GL**33K	SLOW ACTING BREAK BEFORE MAKE 	 18° 25	0.1 .9	N/A	360	8	100
GL**04K GL**34K	SLOW ACTING MAKE BEFORE BREAK 	 25° 18°	0.1 .9	N/A	360	8	100
GL**05K GL**35K	SLOW ACTING 	 25°	0.1 .9	N/A	360	8	100
GL**06K GL**36K	SLOW ACTING 	 18°	0.1 .9	N/A	360	8	100
GL**20K GL**22K GL**24K GL**32K	SNAP ACTION CONTACTS DOUBLE POLE 	 18° 8° DIFFERENTIAL TRAVEL	0.1 .9	N/A	360	8	100

FIGURE 15, CAT WISKER HEAD, SIDE ACTUATION AT 100mm

CATALOG LISTING	CONTACT BLOCK DIAGRAM	NOMINAL TRAVELS AND RELATED TERMINALS ■ - CONTACT CLOSED, □ - CONTACT OPEN, ▨ - CONTACT CLOSED DIFFERENTIAL TRAVEL	MAXIMUM OPERATING FORCE N LB	MAXIMUM DISCONNECT FORCE N LB	MAX OPERATE VEL M/S IN/S	MIN OPERATE VEL mm/S IN/S	MAX OPERATE FREQUENCY OPS/MIN
GL**01K GL**07K	SNAP - ACTION CONTACTS SINGLE POLE 	 26 12 DIFFERENTIAL TRAVEL	1.3 .3	N/A	.5 19.7	.11 .43	100
GL**03K GL**33K	SLOW ACTING BREAK BEFORE MAKE 	 26.5 38.1	1.3 0.3	N/A	.5 19.7	.11 .43	100
GL**04K GL**34K	SLOW ACTING MAKE BEFORE BREAK 	 26.5 38.1	1.3 0.3	N/A	.5 19.7	.11 .43	100
GL**05K GL**35K	SLOW ACTING 	 38.1	1.3 0.3	N/A	.5 19.7	.11 .43	100
GL**06K GL**36K	SLOW ACTING 	 26.5	1.3 0.3	N/A	.5 19.7	.11 .43	100
GL**20K GL**22K GL**24K GL**32K	SNAP ACTION CONTACTS DOUBLE POLE 	 26 12 DIFFERENTIAL TRAVEL	1.3 0.3	N/A	.5 19.7	.11 .43	100

MGL SERIES CHART 1
 DRAWING NUMBER: 13 OF 13
 RELEASE NO.:
 ISSUE: 16
 CMH
 PTC/CAD 3D
 DRAWN: 05MARC01
 CHECK: SAV
 DATE: 08/11/12
 PTC/CAD 3D
 DRAWN: 05MARC01
 CHECK: SAV
 DATE: 08/11/12

REV	DATE	BY	CHKD	DESCRIPTION
1	08/09/04	CMH	CMH	ISSUE FOR PRODUCTION
2	08/10/03	CMH	CMH	REVISED TO ADD 18° TRAVEL
3	08/02/98	CMH	CMH	REVISED TO ADD 8° DIFFERENTIAL TRAVEL
4	08/04/84	CMH	CMH	REVISED TO ADD 25° TRAVEL
5	08/02/79	CMH	CMH	REVISED TO ADD 18° TRAVEL
6	07/16/66	CMH	CMH	REVISED TO ADD 25° TRAVEL
7	03/12/64	CMH	CMH	REVISED TO ADD 18° TRAVEL
8	08/18/68	CMH	CMH	REVISED TO ADD 25° TRAVEL
9	04/26/62	CMH	CMH	REVISED TO ADD 18° TRAVEL
10	05/08/60	CMH	CMH	REVISED TO ADD 25° TRAVEL
11	04/06/55	CMH	CMH	REVISED TO ADD 18° TRAVEL
12	07/28/59	CMH	CMH	REVISED TO ADD 25° TRAVEL
13	07/20/58	CMH	CMH	REVISED TO ADD 18° TRAVEL
14	08/04/57	CMH	CMH	REVISED TO ADD 25° TRAVEL
15	08/11/56	CMH	CMH	REVISED TO ADD 18° TRAVEL

THIS DRAWING COVERS A PROPRIETARY ITEM AND IS THE PROPERTY OF MICRO SWITCH, A DIVISION OF HONEYWELL. THIS DRAWING IS NOT TO BE COPIED OR USED WITHOUT THE APPROVAL OF MICRO SWITCH.

FED. MFG. CODE 91929

MICRO SWITCH
a Honeywell Division

SWITCH, ENCLOSED

CATALOG LISTING
GL SERIES CHART 1

THIRD ANGLE PROJECTION

SCALE: -

DO NOT SCALE PRINT

TOLERANCES
APPLY TO DESIGN UNITS. CONVERSIONS ARE ONLY FOR REFERENCE. UNLESS NOTED, TOLERANCES ARE:

NO. PLACES	FR.	TOL.	IN.	TOL.
ONE PLACES	X.1	±.04	X.1	±0.0125
TWO PLACES	X.1X	±0.0125	X.1X	±0.0015
THREE PLACES	X.1XX	±0.00125	X.1XX	±0.00015

DESIGN UNITS: SI METRIC US CUSTOMARY

WEIGHT