

THIS DRAWING IS UNPUBLISHED.

RELEASED FOR PUBLICATION

© COPYRIGHT - TE Connectivity Ltd.

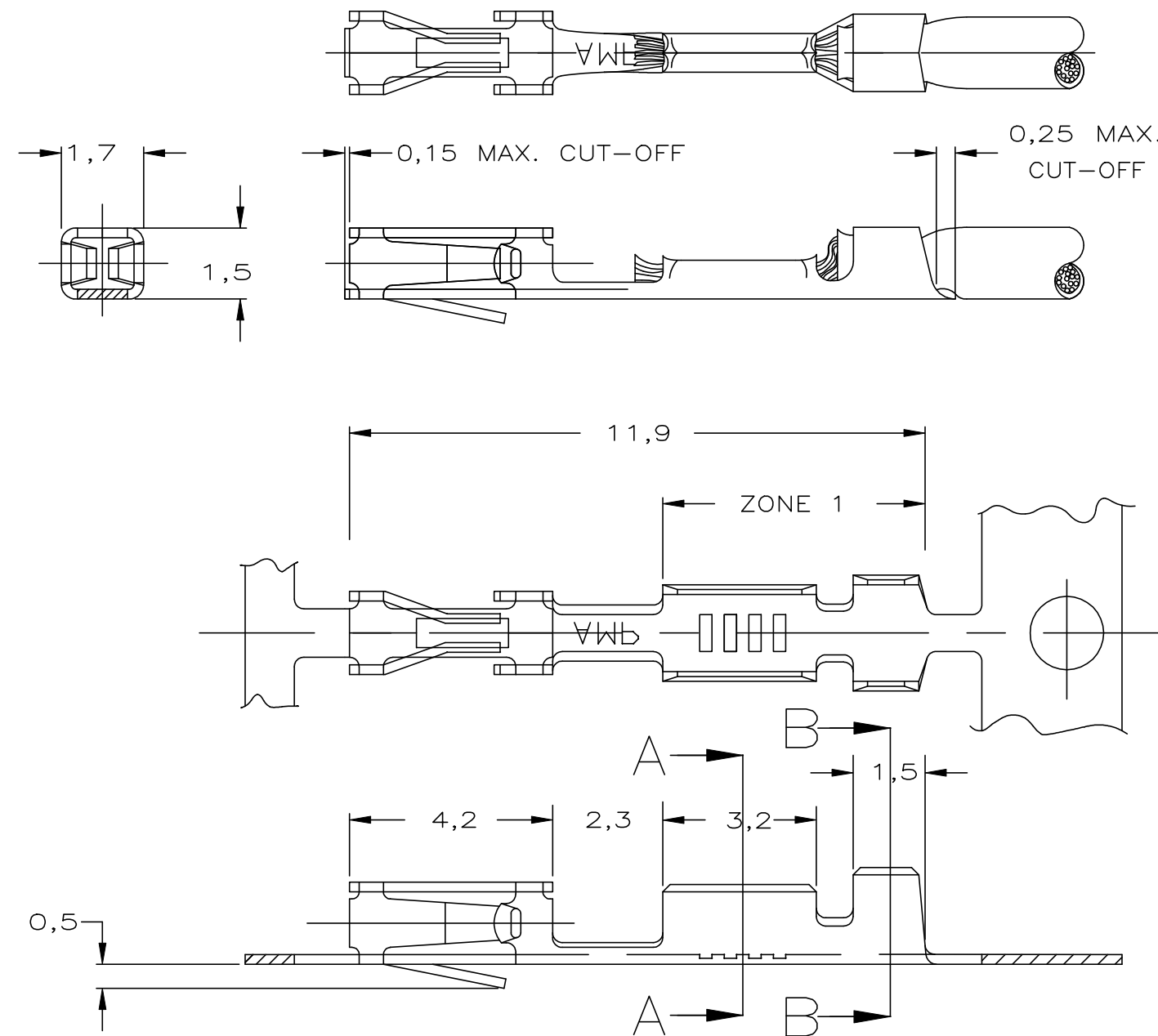
ALL RIGHTS RESERVED.

REVISIONS

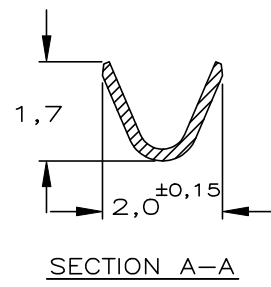
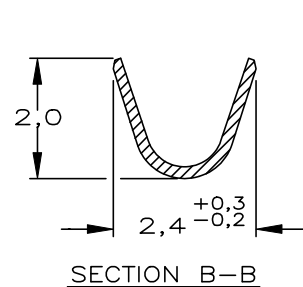
P	LTR	DESCRIPTION	DATE	DWN	APVD
	J4	General tolerance addition of +/-0.2	22AUG2019	KJK	PS

NOTES:

- 1 FOR MINI-APPLICATOR-CRIMPING.
- 2 UNDERCOATING:1,25µm Ni, SELECTIVE:0,8µm Au, ZONE 1: 0,5µm MIN. GOLD FLASH.
- 3 UNDERCOATING:1,25µm Ni, SELECTIVE:0,8µm Au, REMAINDER:GOLD FLASH.
- 4 UNDERCOATING:1,25µm Ni, SELECTIVE:0,4µm Au, NO GOLD FLASH.
- 5 UNDERCOATING:1,25µm Ni, SELECTIVE:2,0µm Au, REMAINDER:GOLD FLASH.
- 6 PRE-TINPLATED:2,0µm.
- 7 ZONE 1:BRIGHT TIN/LEAD PLATED.
- 8 MATERIAL: PHOSPHOR BRONZE
- 9 FOR STANDARD-APPLICATOR-CRIMPING.
- 10 FOR REELFED-HANDTOOL-CRIMPING
- 11 24-20 AWG (0,20-0,56 mm²) WITH .055 CRIMPER.
26 AWG (0,12-0,14 mm²) WITH .042 CRIMPER.
- 12 OBSOLETE PARTS: OBSOLETE CIS STREAMLINING PER D.RENAUD/D.SINISI



GOLD	2	1-141708-2	5-167301-4	12	10
TIN	6	1-141708-1	5-167301-2	12	10
GOLD	5	≠	2-167301-6	12	1
			2-167301-5		9
GOLD	2	1-141708-2	2-167301-4		1
			2-167301-3	12	9
TIN	6	1-141708-1	2-167301-2		1
			2-167301-1		9
GOLD	4	7	≠		1
			1-167301-6		1
			1-167301-5		9
GOLD	3	141708-1	167301-4		1
			167301-3		9
SURFACE		LOOSE PIECE	PART NUMBER		



WIRE RANGE	11
INSUL. RANGE	1,4 MAX.DIA.

THIS DRAWING IS A CONTROLLED DOCUMENT.

DWN	R.VISSER	11-11-87
CHK	J.v.LIEMPT	-
APVD	L.v.SOEST	-
PRODUCT SPEC	NAME	
APPLICATION SPEC	AMPMODU MOD IV RECEPTACLE,S.C.P.	
WEIGHT	SIZE	CAGE CODE
-	A3	00779
CUSTOMER DRAWING	DRAWING NO	RESTRICTED TO
	C=167301	-
SCALE	SHEET	REV
-	1 OF 1	J4

Mouser Electronics

Authorized Distributor

Click to View Pricing, Inventory, Delivery & Lifecycle Information:

[TE Connectivity:](#)

[167301-4](#)