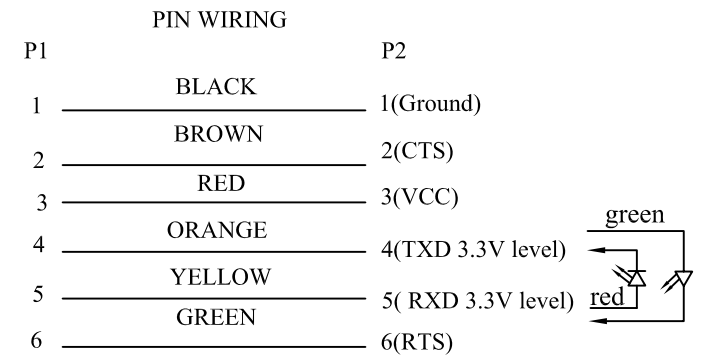
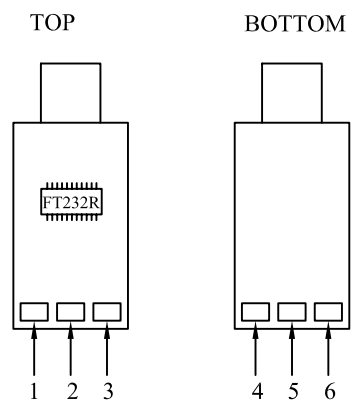


NOTES:
 1.ELECTRICAL TEST:100% OPEN,SHORT&MISSWIRE TEST.
 2.CONDUCTOR RESISTANCE:2ohm,
 INSULATOR RESISTANCE:10M ohm.
 3.HIGH VOLTAGE:DC 300V 0.01sec.
 4.MUST BE ROHS COMPLIANT.

FTDI-FT232R-PCB



BOM		PL-EF-04	
6	Housing	Dupont 2.54mm 1*6P HOUSING	1PCS
5	Terminal	Dupont 2.54mm TERMINAL	6PCS
4	Tube	Ø4.0*10mm HEAT TUBE COLOR BLACK	1PCS
3	ASSY SHELL	TRANSPARENT ABS SHELL	1SET
2	Connector	FTDI-FT232R-PCB(3.3V) TYPE C CONNECTOR PLASTIC:WHITE	1PCS
1	Cable	UL2464 28AWG(7/0.12TC)*6C (RED,BROWN,ORANGE,BLACK, YELLOW,GREEN)+ALUMINIUM FOIL PVC JACKET COLOR:BLACK OD=4.0±0.1mm	1PCS
NO.	Name	SPECIFICATION	Q'TY

Premier Cable MFG Co Ltd					
TITLE		TYPE C TO TTL CABLE (3.3V)			
CUSTOMER					
CUSTOMER'S ITEM					
SCALE	1:1	DRAWN BY	Steve	DATE	2019-7-30
UNIT	mm	CHECKED BY		DRAWING NO.	
REV.	A	APPROVED BY		FC-USB-119	

Mouser Electronics

Authorized Distributor

Click to View Pricing, Inventory, Delivery & Lifecycle Information:

[Adafruit:](#)

[4331](#)