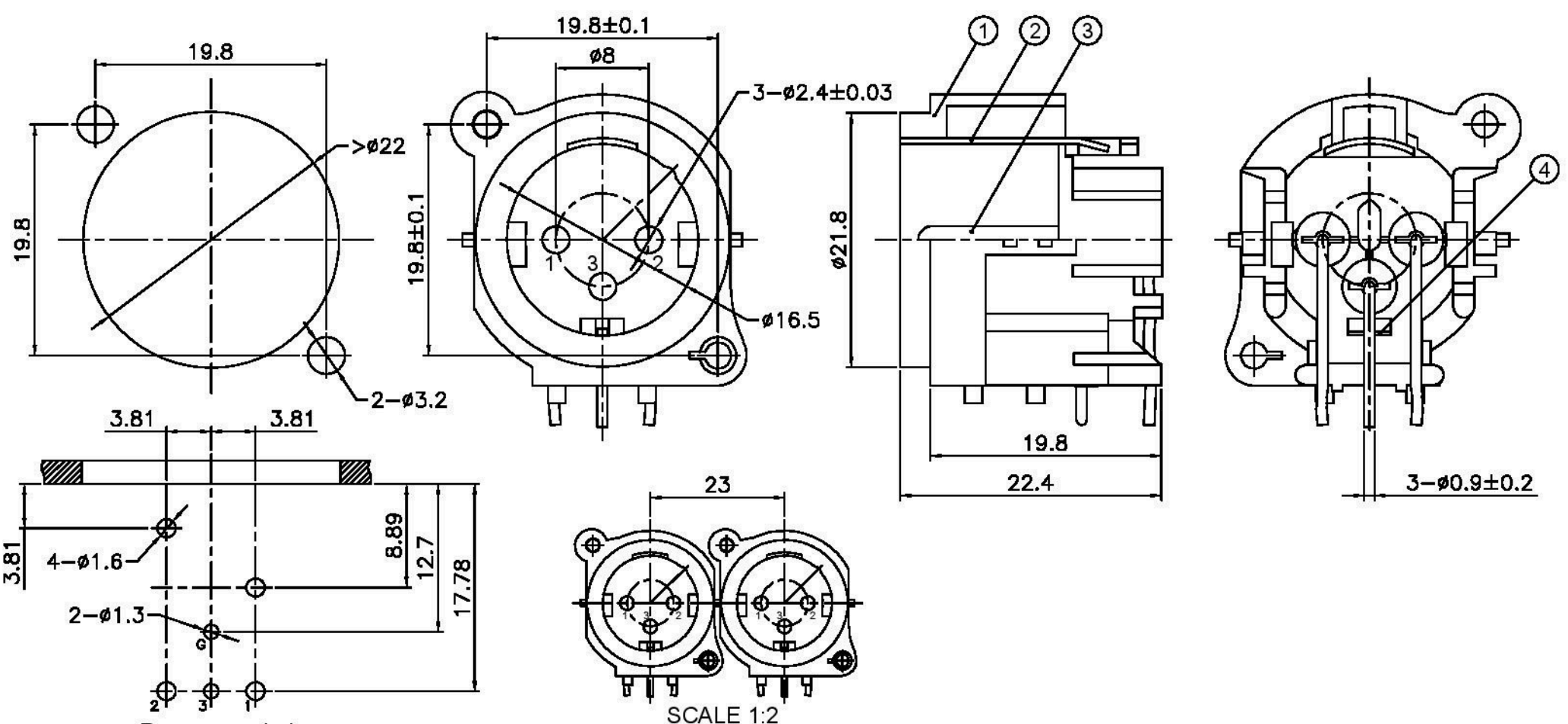


1 2 3 4 5 6 7 8

F  
E  
D  
C  
B  
A



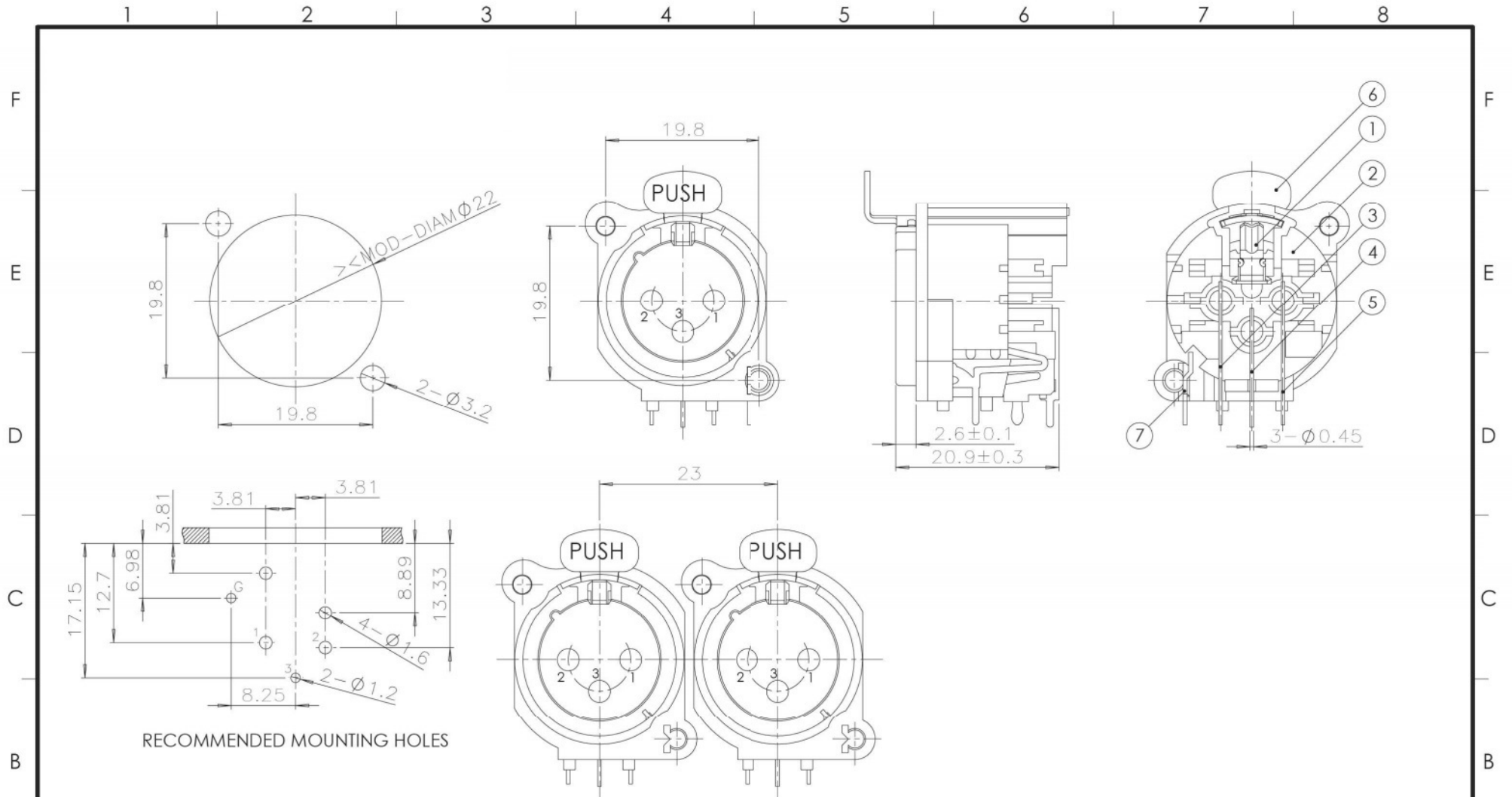
Recommended mounting hole

SCALE 1:2

DIMENSIONS ARE IN MILLIMETERS			
UNLESS OTHERWISE SPECIFIED TOLERANCES			
ANGLES = ±5°		TITLE E Series 3P Male XLR Chassis Connector	
UP TO 6 = ±0.2			
6-40 = ±0.4			
40-120 = ±0.6			
120-315 = ±1			
ABOVE 315 = ±1.6			
THIRD_ANGLE		PART NO. IO-XLR3-M-EH	REV. A1
SCALE	2/1		


NO.	DESCRIPTION	MATERIAL	FINISH	Q'TY
4	GROUND LUG	H62	NICKEL	1
3	PIN	H59-1	GOLD	3
2	LOCK SLICE	65Mn	NICKEL	1
1	PLASTIC SHELL	PA	BLACK	1

1 2 3 4 5 6 7 8



NO.	DESCRIPTION	MATERIAL	FINISH	QTY
7	GND TERMINAL	H62	NICKEL	1
6	PUSH BUTTON	H62	NICKEL	1
5	PIN 2	H62	GOLD	1
4	PIN 3	H62	GOLD	1
3	PIN 1	H62	GOLD	1
2	BODY	PA	BLACK	1
1	LATCH	65Mn	NICKEL	1

DIMENSIONS ARE IN MILLIMETERS  
 UNLESS OTHERWISE SPECIFIED  
 TOLERANCES  
 ANGLES = ±5°  
 UP TO 6 = ±0.2  
 6-40 = ±0.4  
 40-120 = ±0.6  
 120-315 = ±1  
 ABOVE 315 = ±1.6

THIRD\_ANGLE 

SCALE 1.5/1

**IO AUDIO TECHNOLOGIES**

TITLE  
**E Series 3P Female XLR Chassis Connector**

PART NO. **IO-XLR3-F-EH** REV. **A1**

A

A