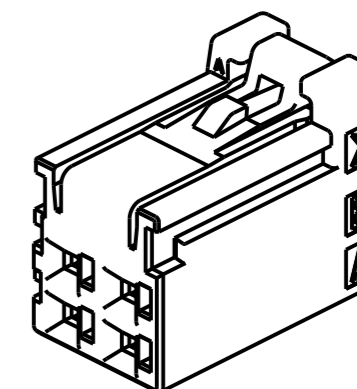
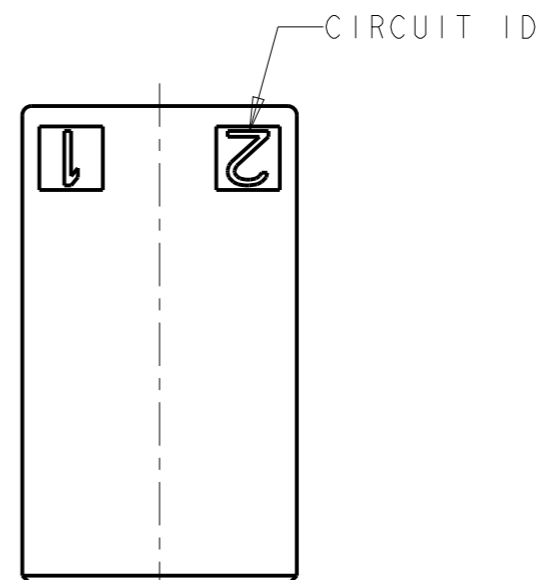
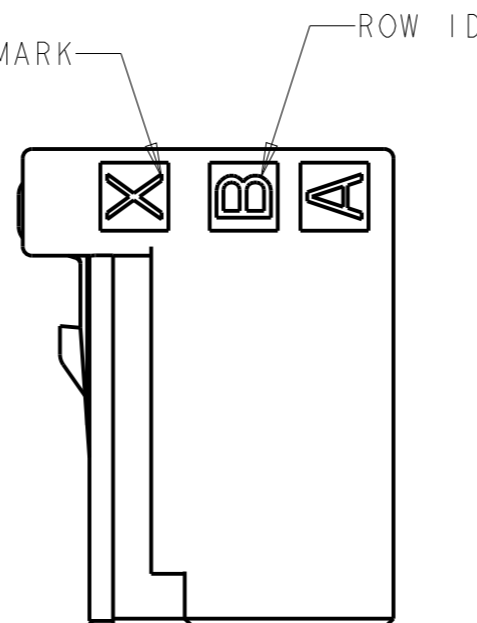
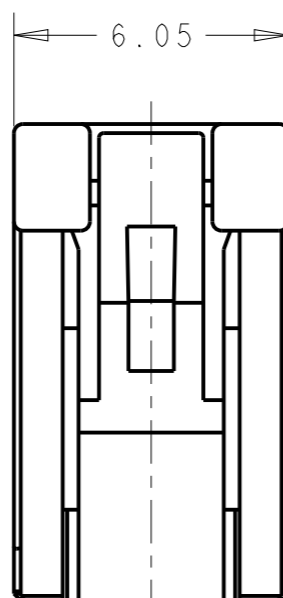
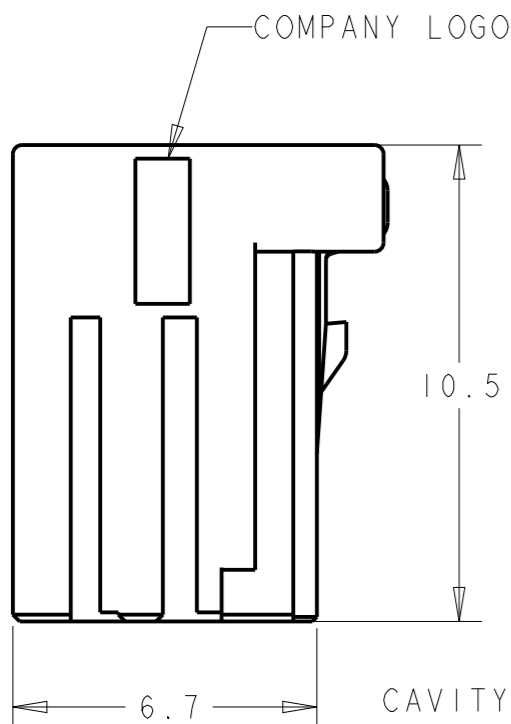
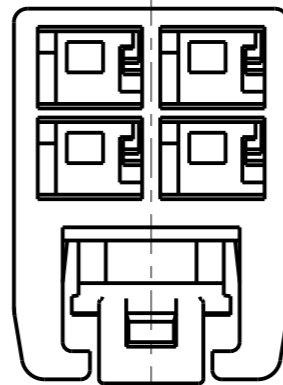


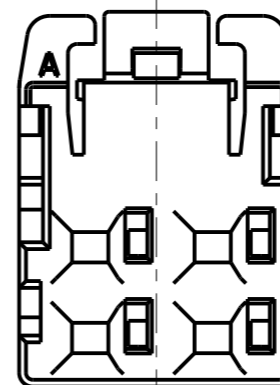
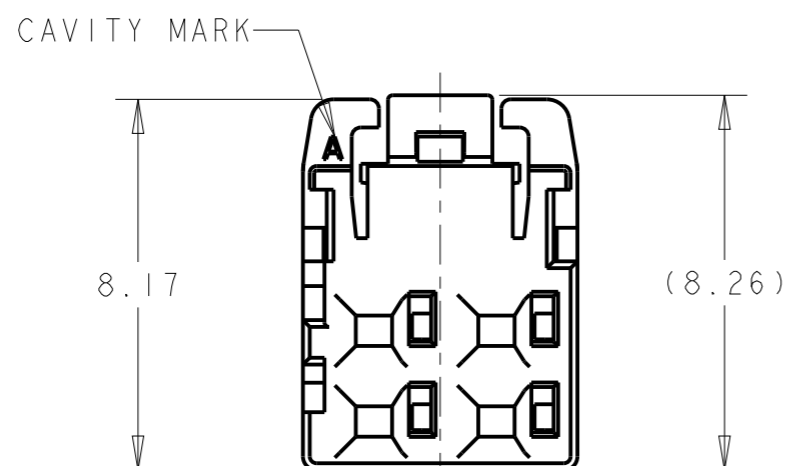
REVISIONS

P	LTR	DESCRIPTION	DATE	DWN	APVD
	A	RELEASED	23MAR2021	Y.O	E.I
	B	REVISED	17JUN2021	Y.O	T.S

1. MATERIAL: GLASS FILLED THERMO PLASTIC POLYESTER(94V-0), COLOR: BLACK
2. INSTRUCTION SHEET: 408-78197
3. CIRCUIT NUMBER IS CONSISTED ROW ID AND CIRCUIT ID
EX: A1, A2, B1, B2
REFER TO SHEET 5



SCALE 4:1



2-2366515-4
Y KEY 4POSN

1-2366515-4
X KEY 4POSN

Y	12	4-2366515-2
X	12	3-2366515-2
Y	8	2-2366515-8
X	8	1-2366515-8
Y	6	2-2366515-6
X	6	1-2366515-6
Y	4	2-2366515-4
X	4	1-2366515-4
KEYING	POSN	PART NUMBER

THIS DRAWING IS A CONTROLLED DOCUMENT.

DIMENSIONS:	TOLERANCES UNLESS OTHERWISE SPECIFIED:
mm	$\pm 0.5, \pm 3^\circ$
	0 PLC \pm
	1 PLC ± 0.5
	2 PLC ± 0.13
	3 PLC ± 0.013
	4 PLC ± 0.0001
	ANGLES \pm
MATERIAL	FINISH
SEE NOTE	-

DWN	Y. OKADA	12MAY2020
CHK	T. SHIMOYASU	12MAY2020
APVD	F. IKEMATSU	12MAY2020
PRODUCT SPEC	108-140257	
APPLICATION SPEC	-	
WEIGHT	-	
CUSTOMER DRAWING		



NAME
RECEPTACLE HOUSING,
D1000 SLIM, DYNAMIC

SIZE	CAGE CODE	DRAWING NO	RESTRICTED TO
A3	00779	C-2366515	-
SCALE		SHEET	REV
6:1		1 OF 5	B

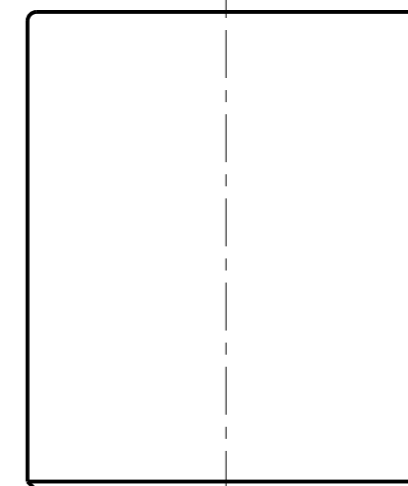
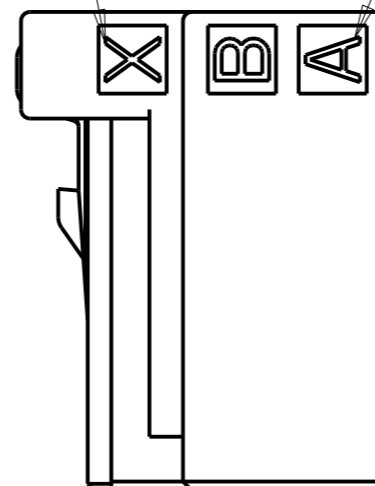
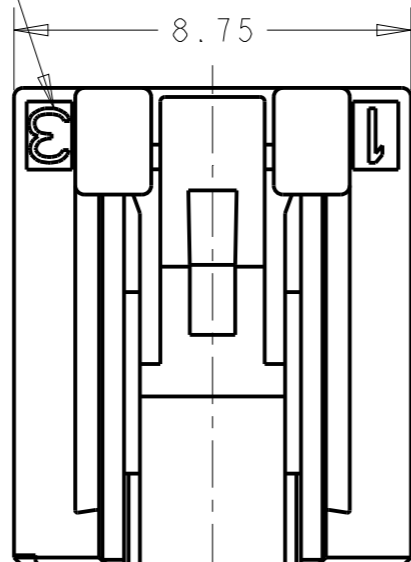
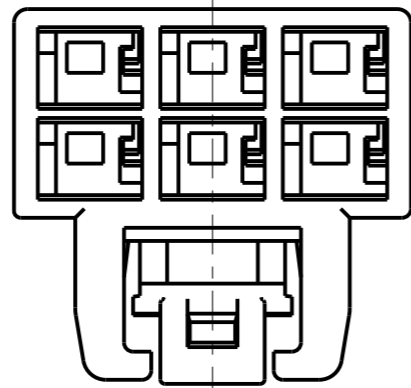
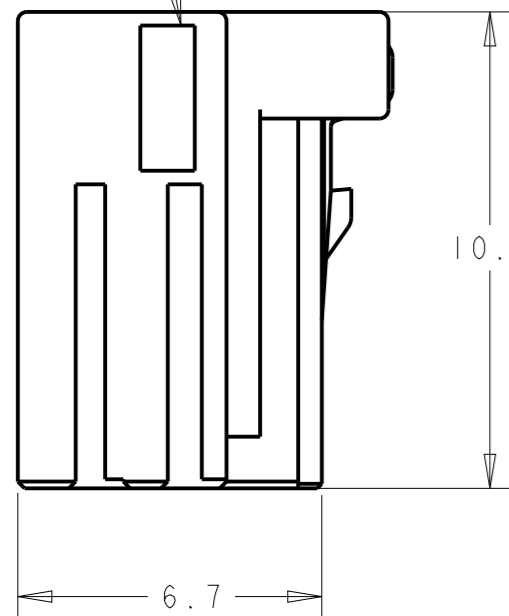
P	LTR	DESCRIPTION	DATE	DWN	APVD
-	-	SEE SHEET 1	-	-	-

COMPANY LOGO

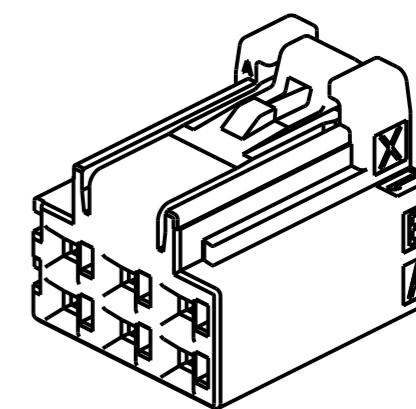
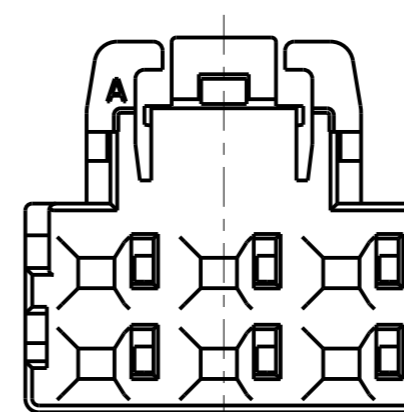
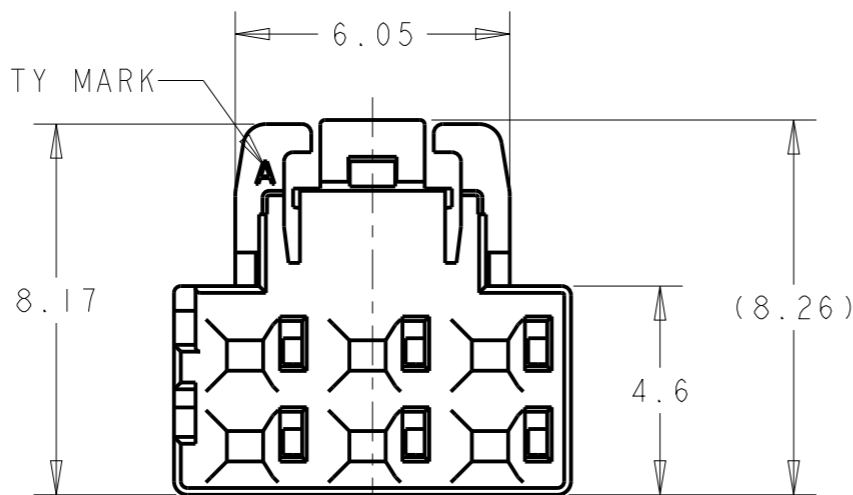
CIRCUIT ID

KEYING MARK

ROW ID



CAVITY MARK



SCALE 4:1

2-2366515-6
Y KEY 6 POSN

1-2366515-6
X KEY 6 POSN

THIS DRAWING IS A CONTROLLED DOCUMENT.

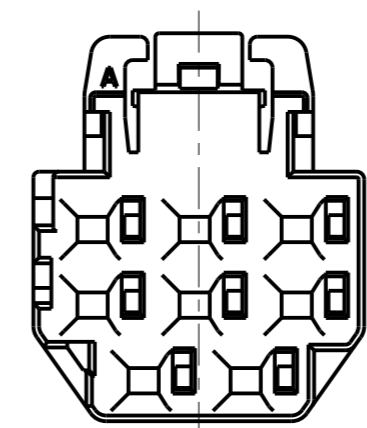
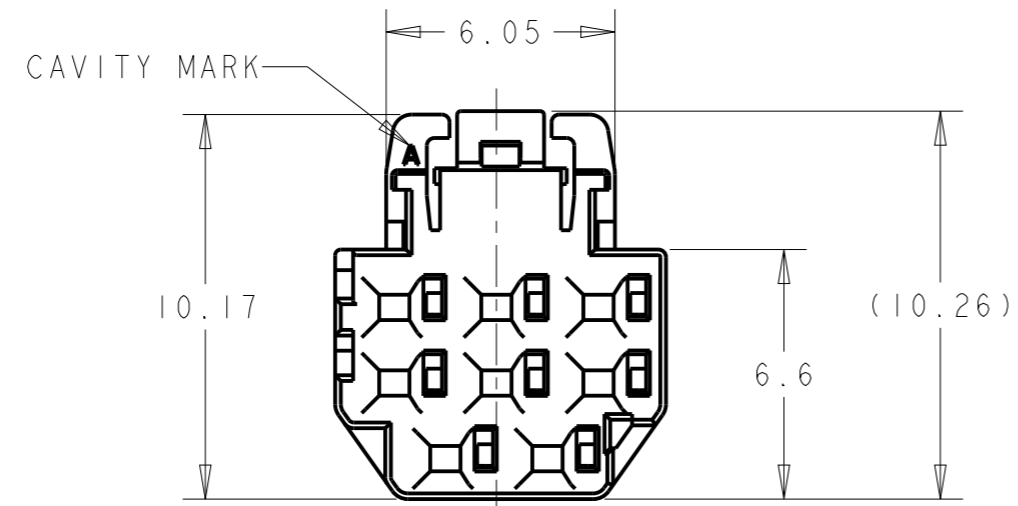
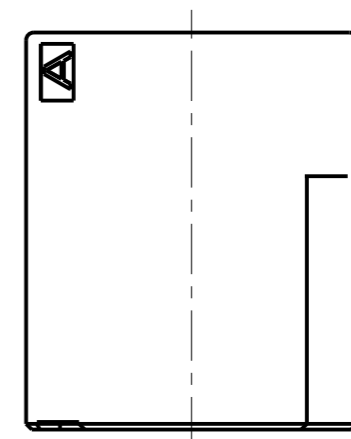
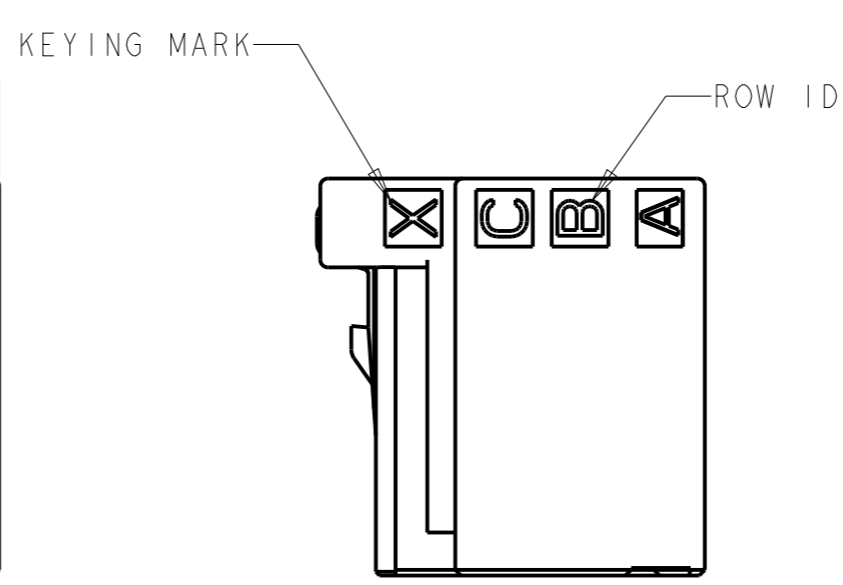
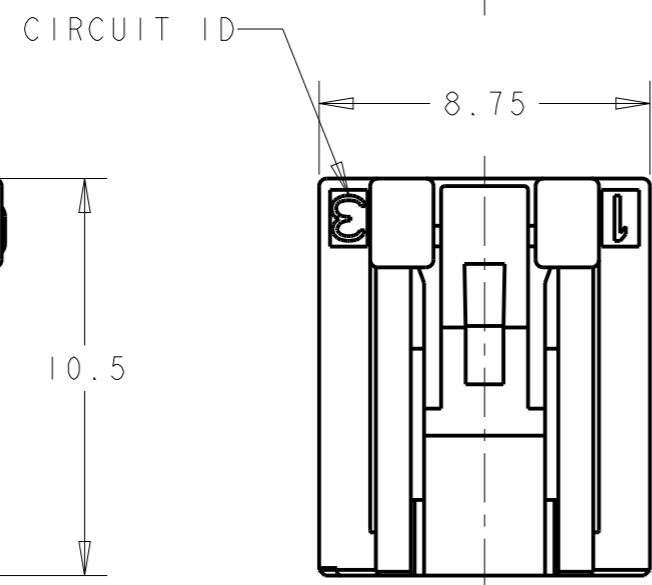
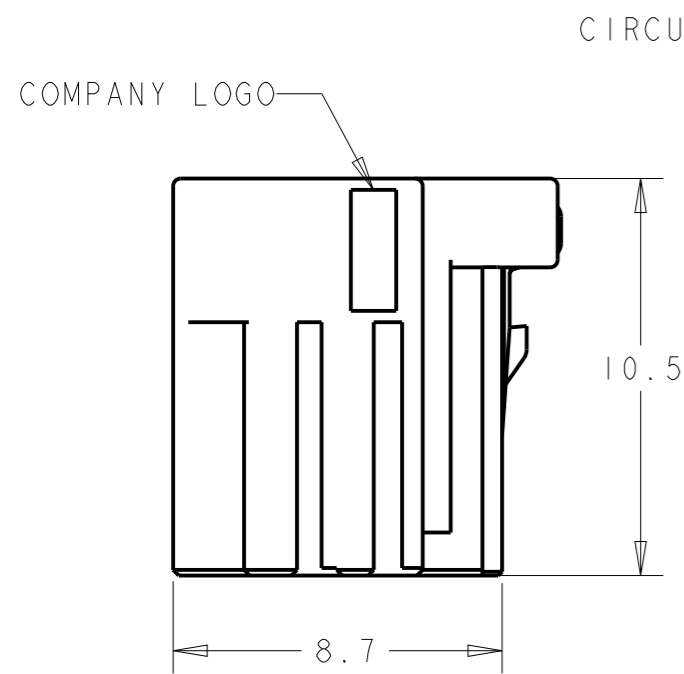
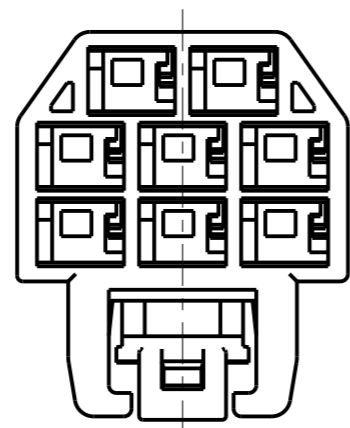
DIMENSIONS: mm		TOLERANCES UNLESS OTHERWISE SPECIFIED: $\pm 0.5, \pm 3^\circ$	
	0 PLC	\pm	
	1 PLC	± 0.5	
	2 PLC	± 0.13	
	3 PLC	± 0.013	
	4 PLC	± 0.0001	
	ANGLES	\pm	
MATERIAL SEE NOTE		FINISH -	

DWN	Y. OKADA	12MAY2020
CHK	T. SHIMOYASU	12MAY2020
APVD	F. IKEMATSU	12MAY2020
PRODUCT SPEC	108-140257	
APPLICATION SPEC	-	
WEIGHT	-	
CUSTOMER DRAWING		

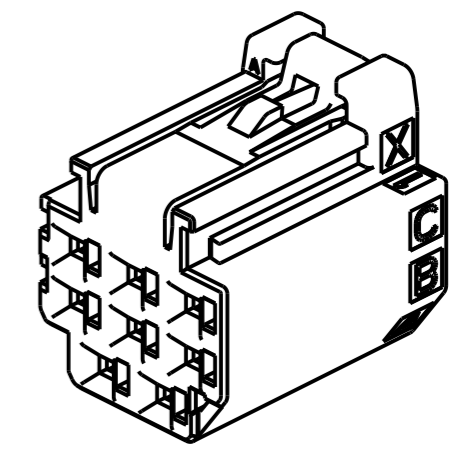


NAME RECEPTACLE HOUSING, D1000 SLIM, DYNAMIC			
SIZE	CAGE CODE	DRAWING NO	RESTRICTED TO
A3	00779	C-2366515	-
SCALE 6:1		SHEET 2 OF 5	REV B

P	LTR	DESCRIPTION	DATE	DWN	APVD
-		SEE SHEET 1	-	-	-




2-2366515-8
Y KEY 8POSN

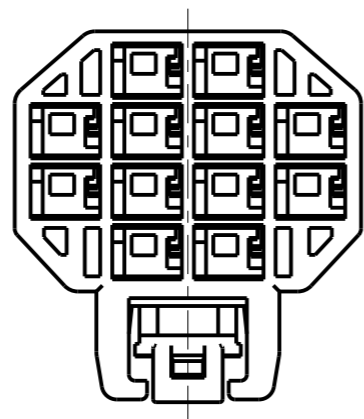


SCALE 4:1

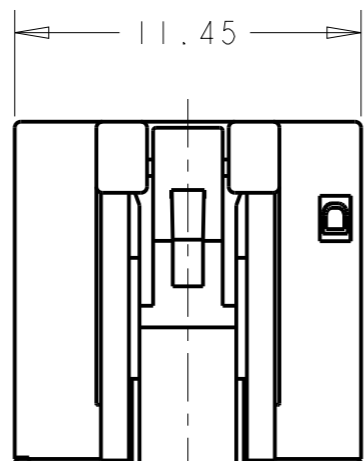
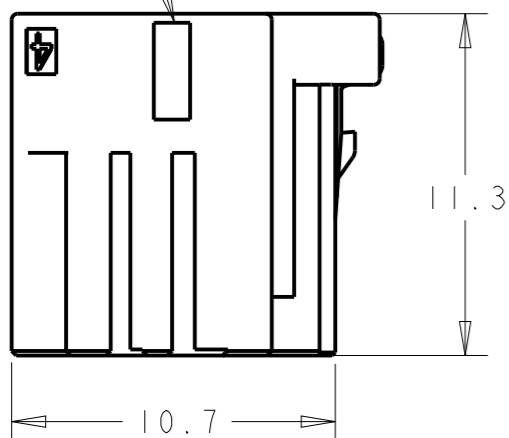
1-2366515-8
X KEY 8POSN

THIS DRAWING IS A CONTROLLED DOCUMENT.		DWN Y. OKADA 12MAY2020	 TE Connectivity	
DIMENSIONS: mm		CHK T. SHIMOYASU 12MAY2020		
TOLERANCES UNLESS OTHERWISE SPECIFIED: ±0.5, ±3°		APVD F. IKEMATSU 12MAY2020	NAME RECEPTACLE HOUSING, D1000 SLIM, DYNAMIC	
0-PLC ± 1-PLC ±0.5 2-PLC ±0.13 3-PLC ±0.013 4-PLC ±0.0001 ANGLES ±		PRODUCT SPEC 108-140257	SIZE A3	
MATERIAL SEE NOTE		APPLICATION SPEC -	CAGE CODE 00779	DRAWING NO C-2366515
FINISH -		WEIGHT -	RESTRICTED TO -	
-		CUSTOMER DRAWING	SCALE 5:1	SHEET 3 OF 5
				REV B

P	LTR	DESCRIPTION	DATE	DWN	APVD
-		SEE SHEET 1	-	-	-



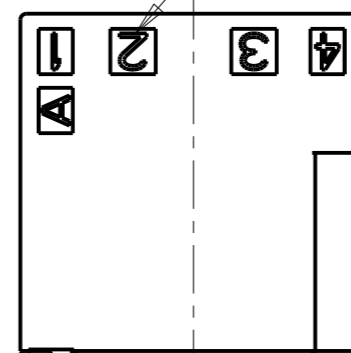
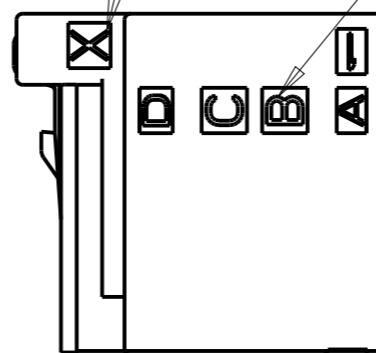
COMPANY LOGO



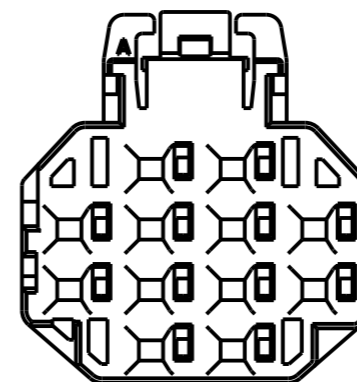
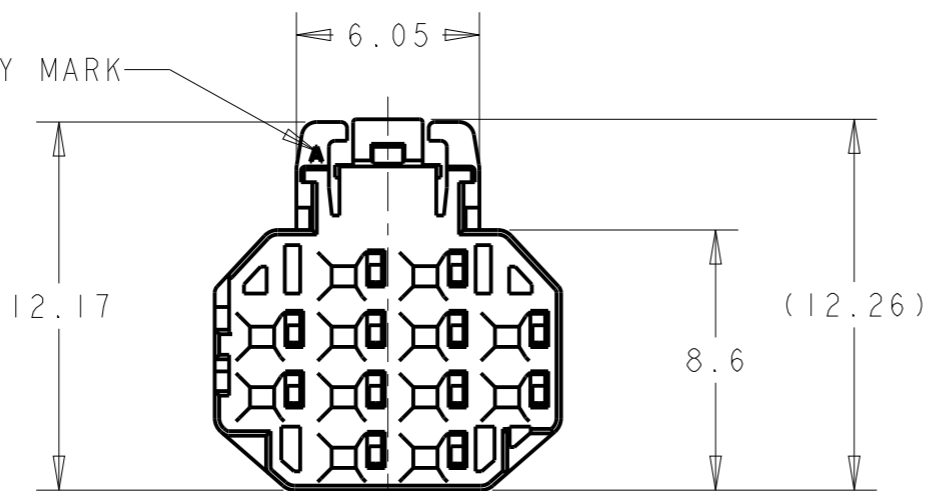
KEYING MARK

ROW ID

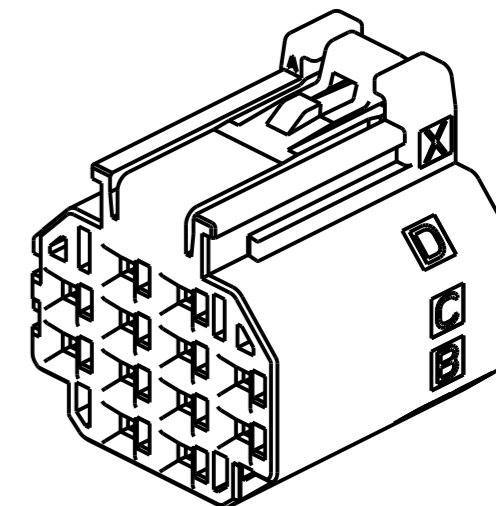
CIRCUIT ID




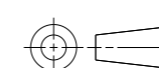
CAVITY MARK



4-2366515-2
Y KEY 12 POSN

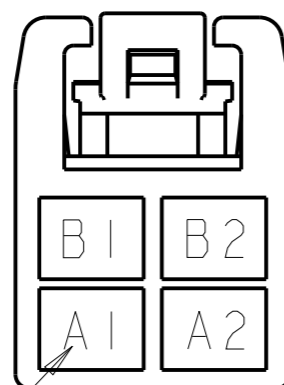


3-2366515-2
X KEY 12 POSN

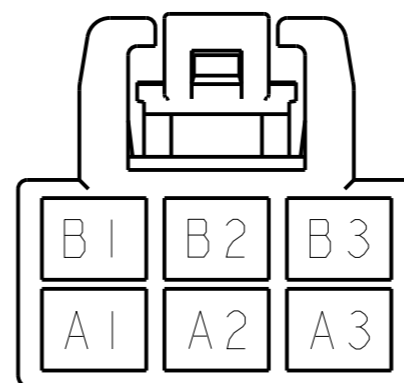
THIS DRAWING IS A CONTROLLED DOCUMENT.		DWN Y. OKADA 12MAY2020	 TE Connectivity	
DIMENSIONS: mm		CHK T. SHIMOYASU 12MAY2020		
		APVD F. IKEMATSU 12MAY2020	NAME RECEPTACLE HOUSING, D1000 SLIM, DYNAMIC	
TOLERANCES UNLESS OTHERWISE SPECIFIED: ±0.5, ±3°		PRODUCT SPEC 108-140257	RESTRICTED TO	
MATERIAL SEE NOTE		APPLICATION SPEC -	SIZE A3	CAGE CODE 00779
FINISH -		WEIGHT -	DRAWING NO C-2366515	SCALE 4:1
-		CUSTOMER DRAWING	SHEET 4 OF 5	REV B

REVISIONS

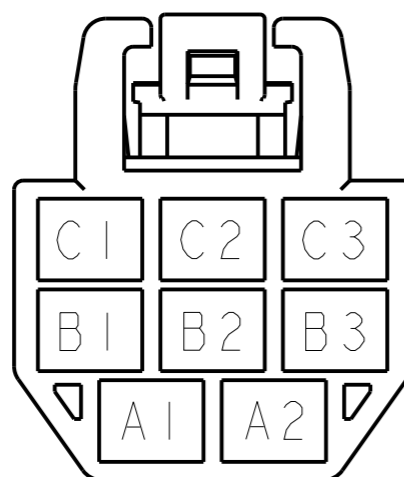
P	LTR	DESCRIPTION	DATE	DWN	APVD
-		SEE SHEET 1	-	-	-



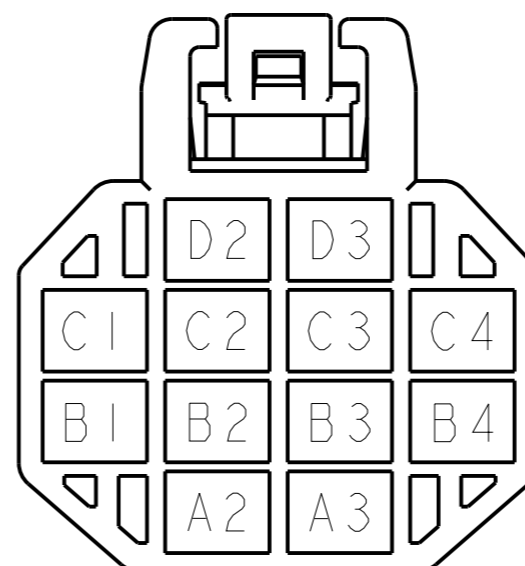
CIRCUIT NUMBER 4 POSN



6 POSN



8 POSN



12 POSN

THIS DRAWING IS A CONTROLLED DOCUMENT.		DWN Y. OKADA 12MAY2020			
DIMENSIONS: mm		CHK T. SHIMOYASU 12MAY2020			
TOLERANCES UNLESS OTHERWISE SPECIFIED: ± 0.5, ± 3°		APVD F. IKEMATSU 12MAY2020	NAME RECEPTACLE HOUSING, D1000 SLIM, DYNAMIC		
		PRODUCT SPEC 108-140257	RESTRICTED TO		
MATERIAL SEE NOTE		APPLICATION SPEC -	SIZE A3	CAGE CODE 00779	DRAWING NO G-2366515
FINISH -		WEIGHT -	SCALE 6:1		
		CUSTOMER DRAWING		SHEET 5 OF 5	REV B