
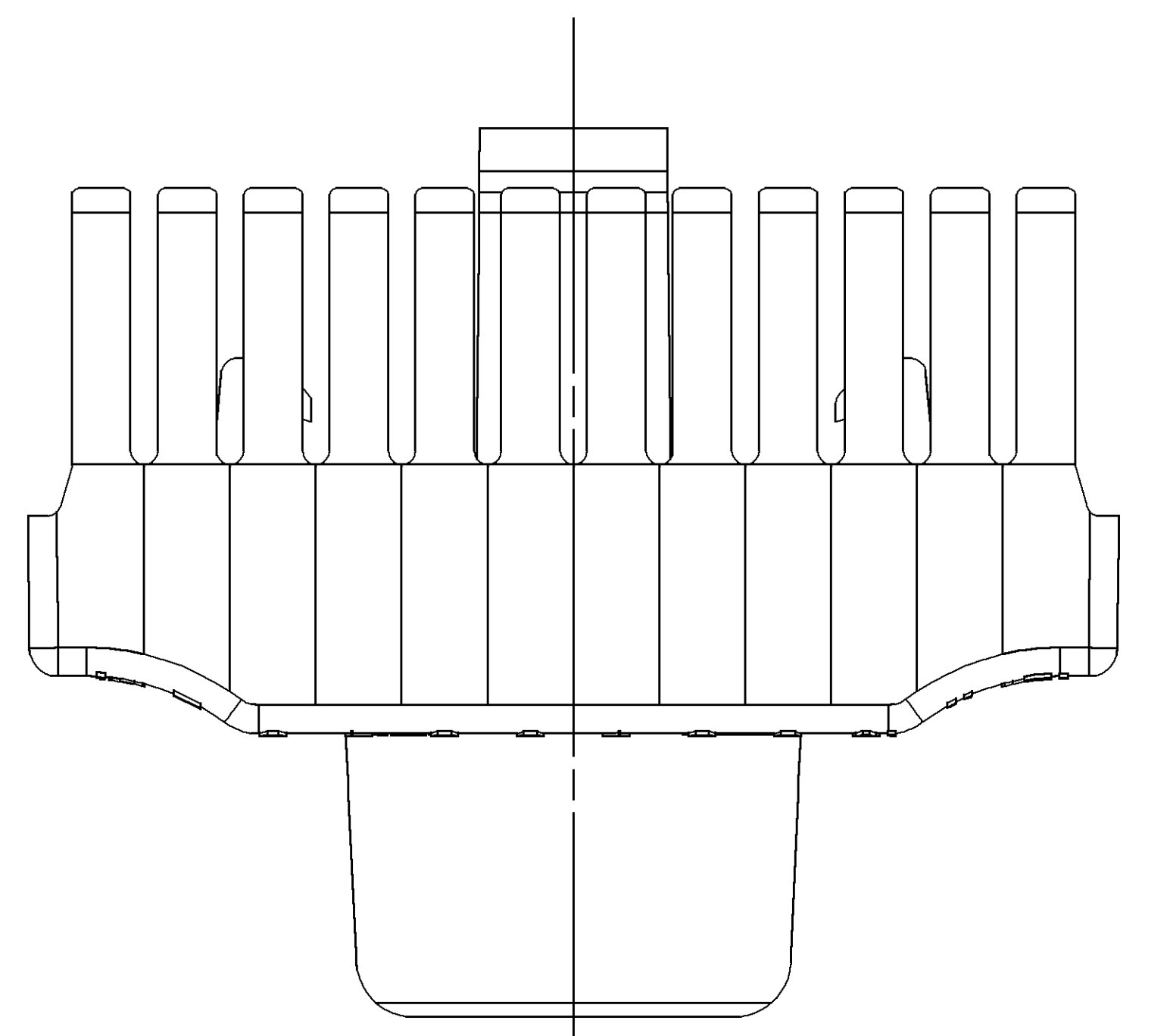
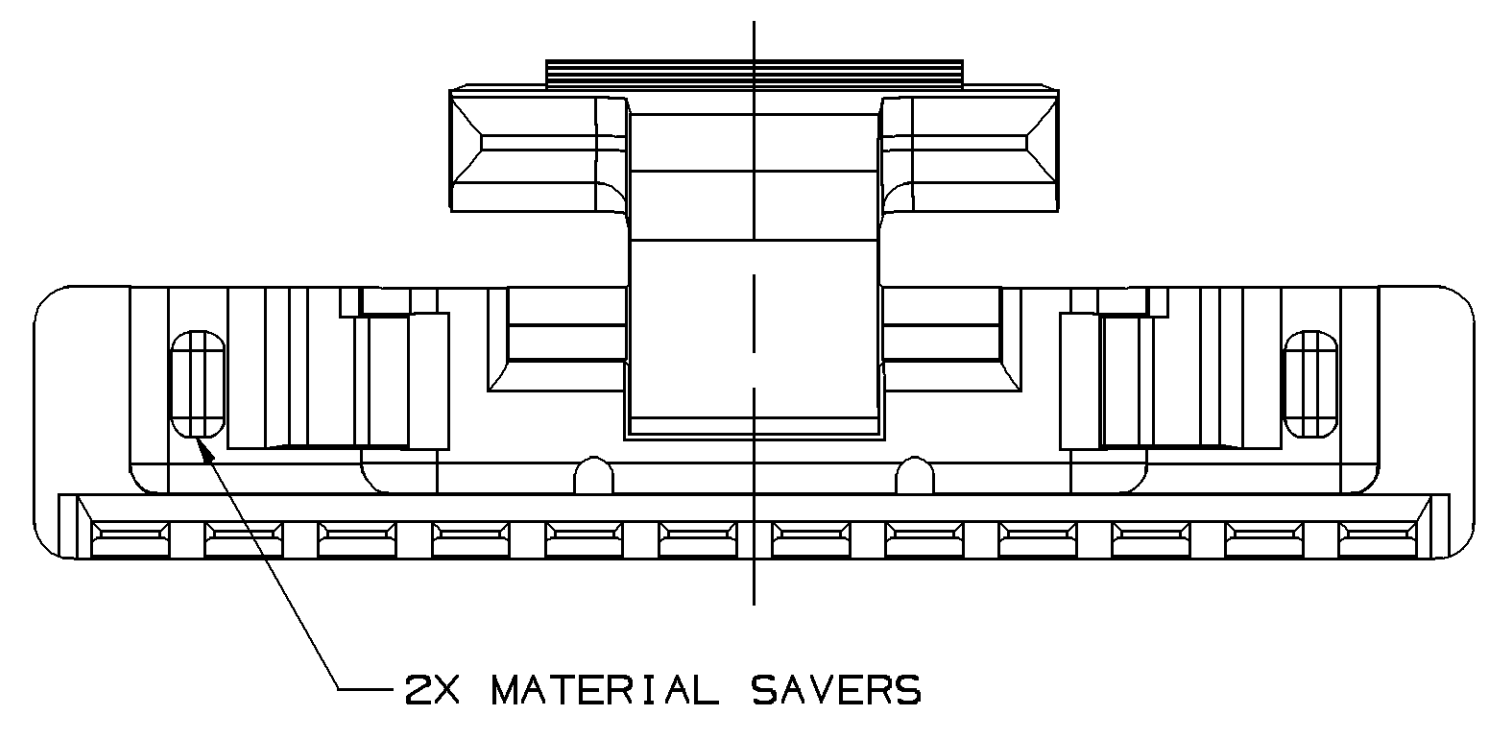
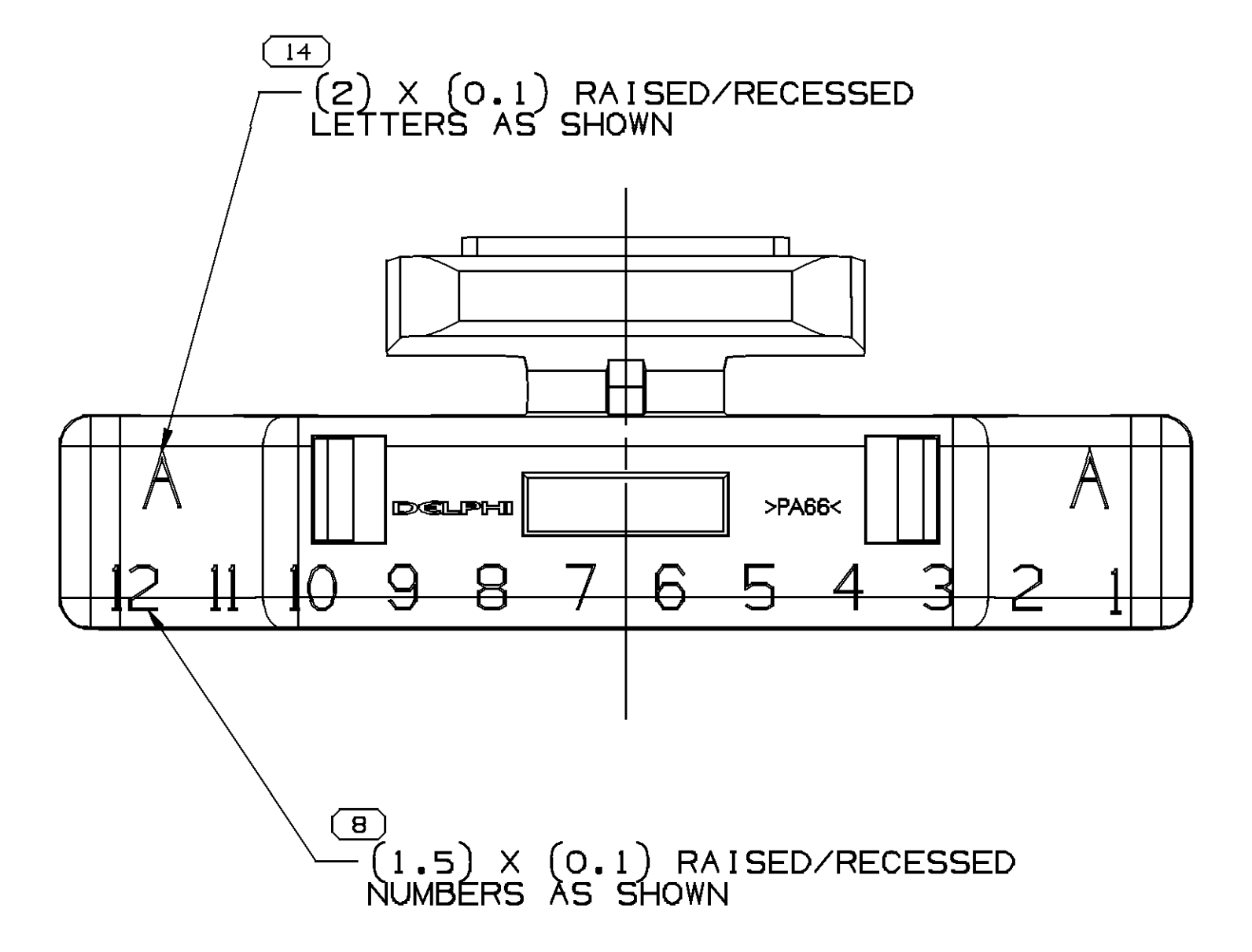
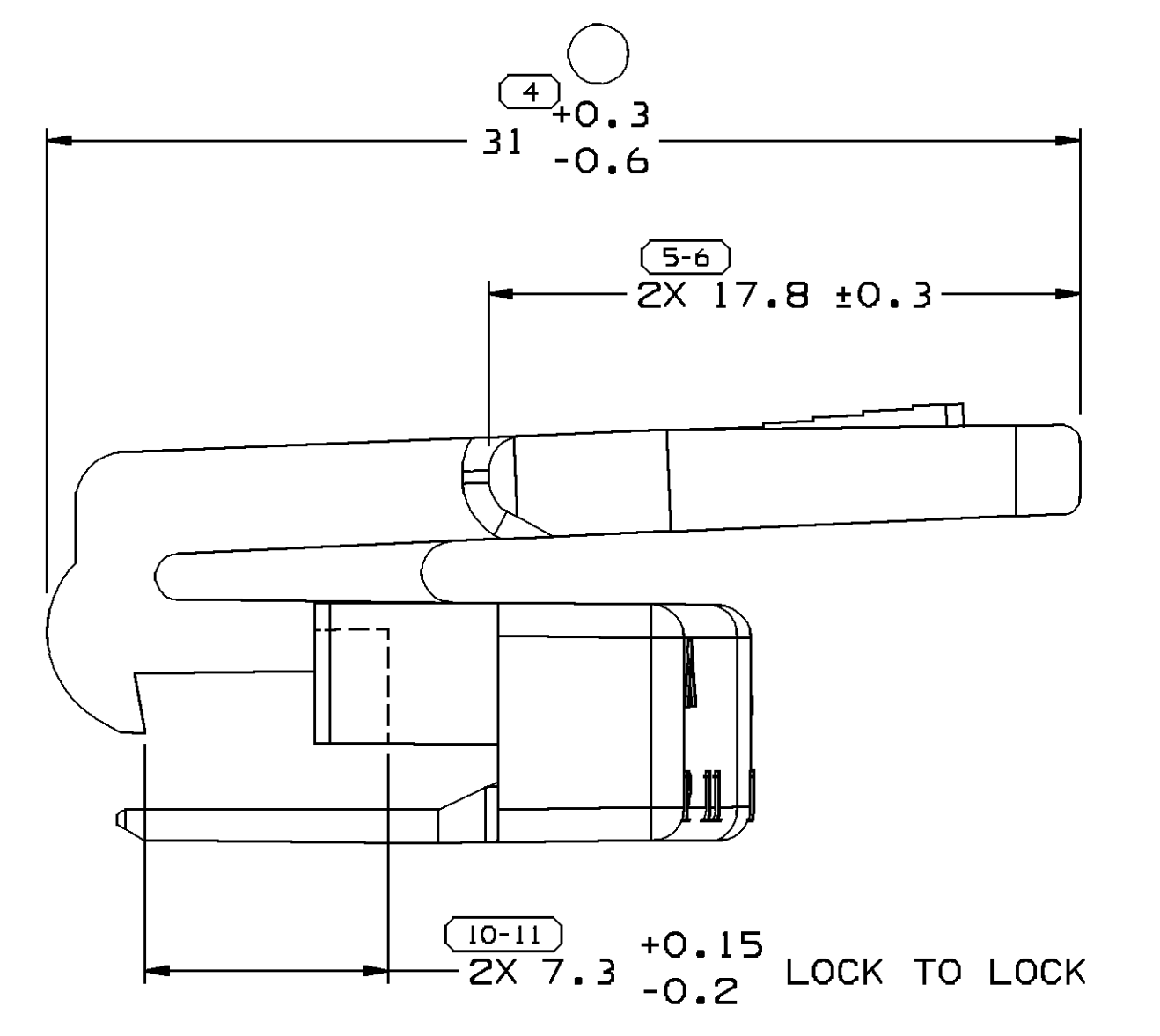
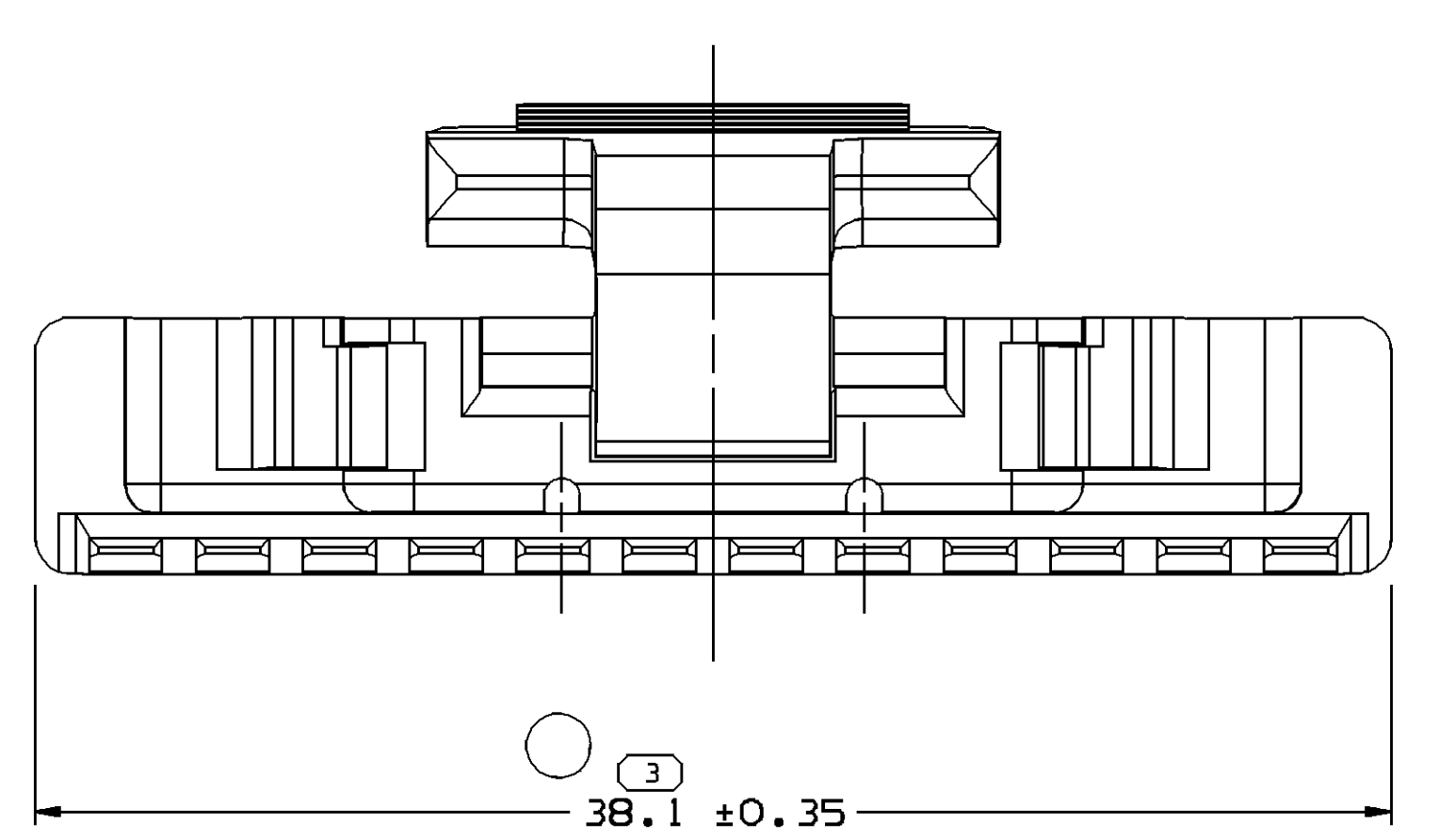
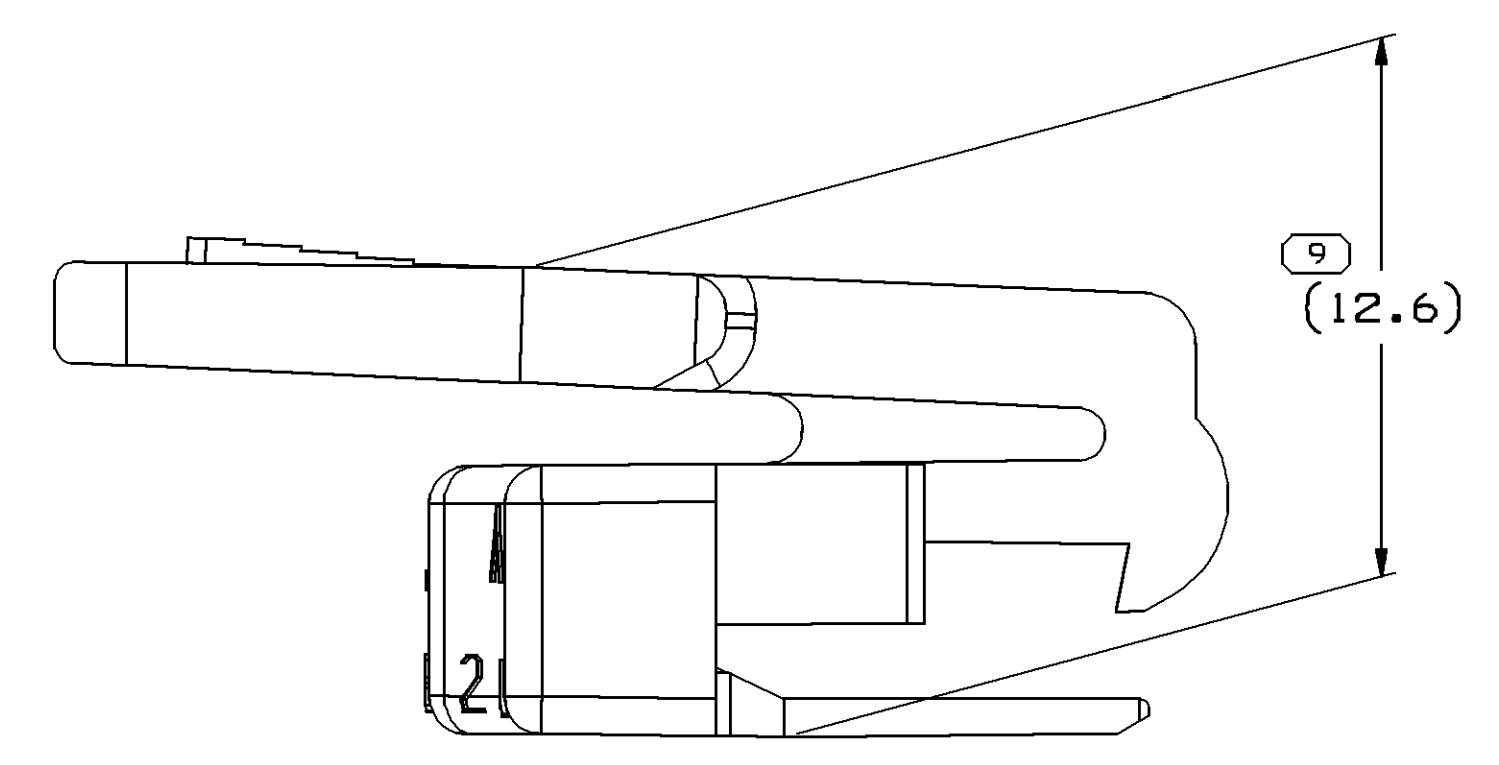
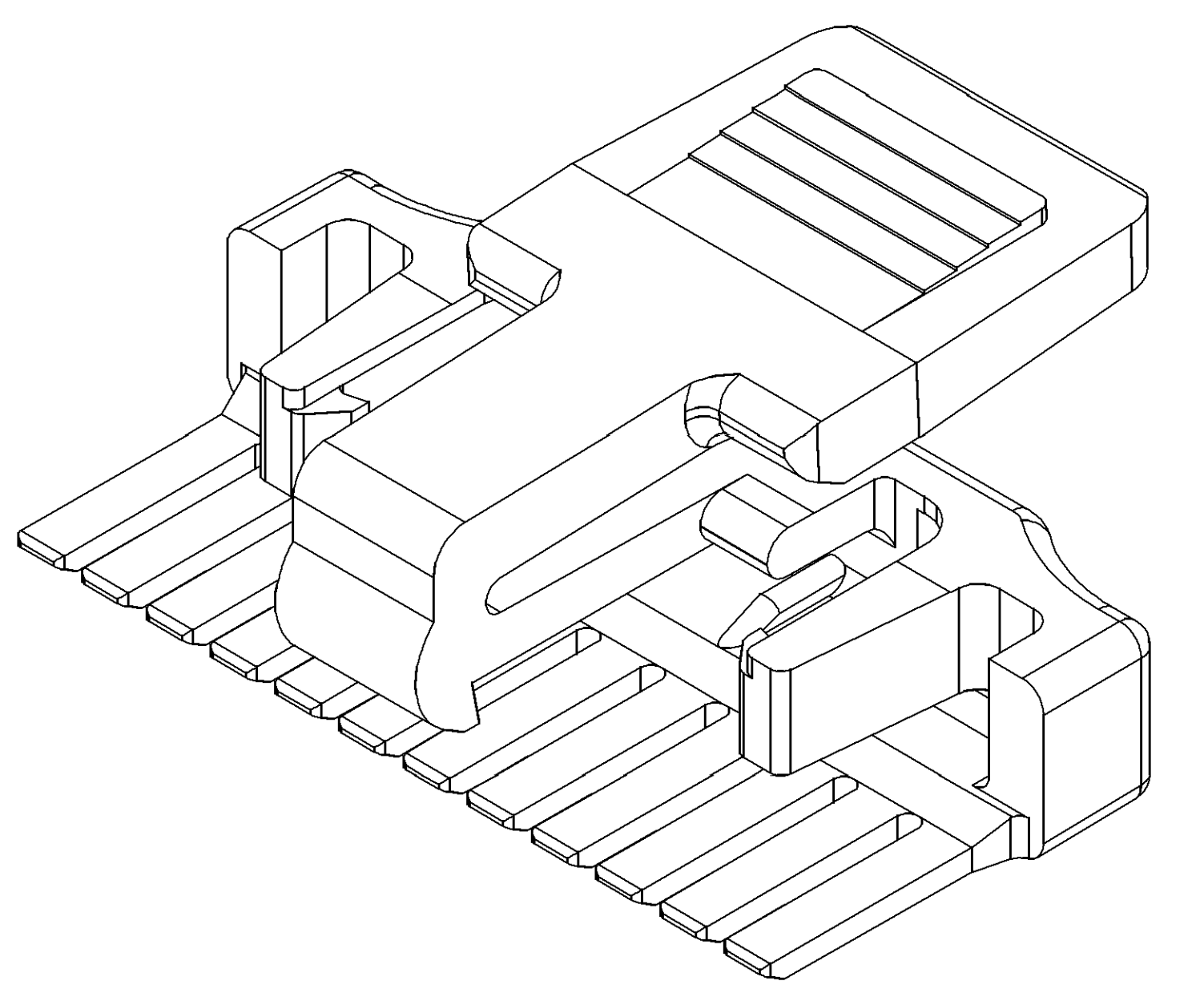
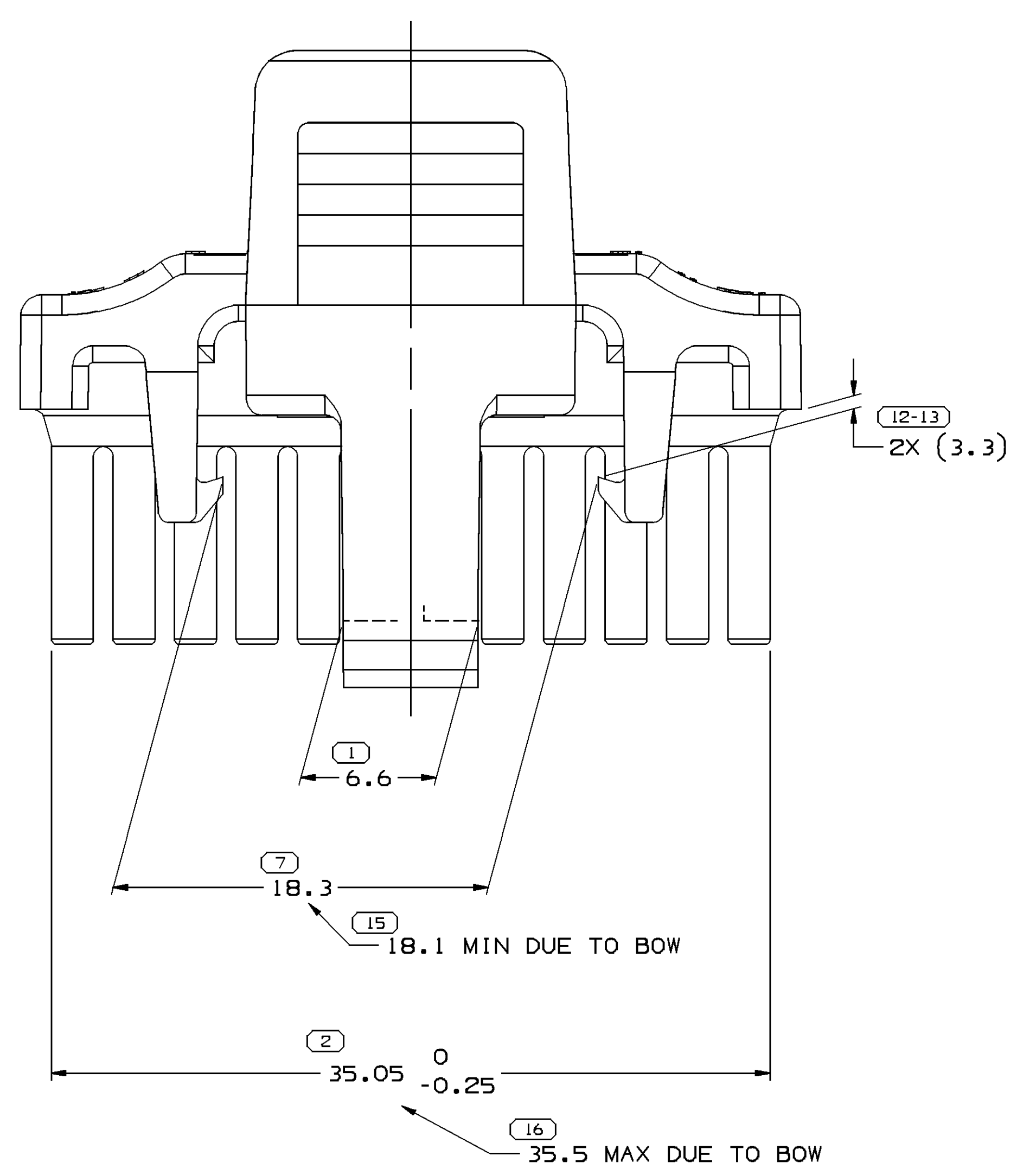


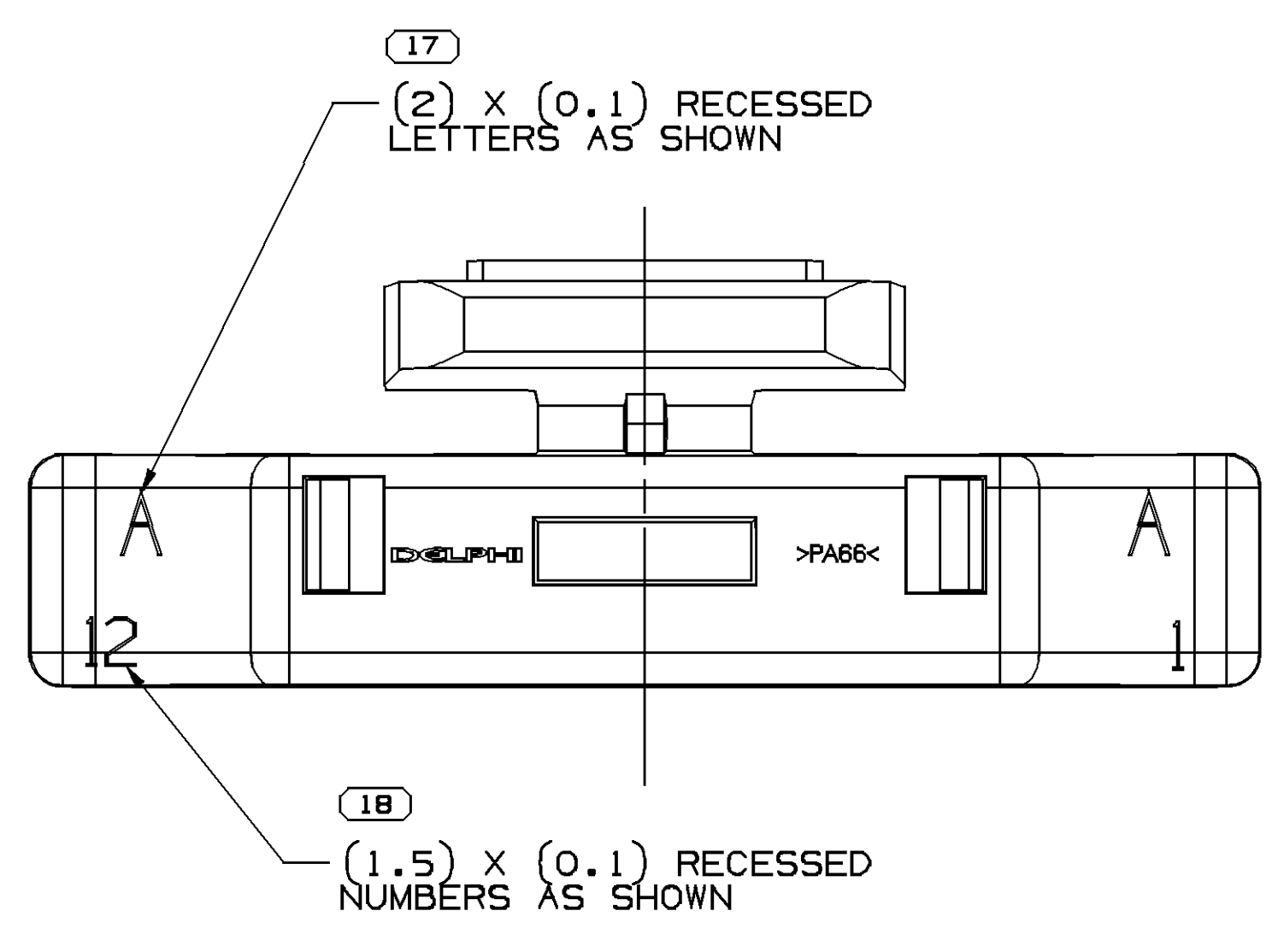
SYMBOL DEFINITION		MISSING NUMBERS	
A DIMENSION WITHOUT AN INSPECTION REPORT SYMBOL  DOES NOT REQUIRE INSPECTION. IT MAY BE CONTROLLED ON AN INDIVIDUAL COMPONENT DRAWING.	TOTAL NO. OF SYMBOLS ON DRAWING	15	
	LAST NO. USED	18	

DWG STATUS				REVISION HISTORY				AUTH	DR	AP/VD
DATE	STG	REV	N/P	CHG	ZONE					
230000	R	08	-	-		REDRAWN TO PD & REVISED GRAPHICS	203528	RCH	RCH	60
11FE02	R	09	-	-		18.1 MAX WAS 18.6 MAX, 35.05 ±0.25 WAS 35.05 -0.25, MAT'L SPEC WAS R0065644 ADDED DIM & UPDATED PDM ATTRIBUTES	204556	RH	RH	60
11FE02	R	09	AA	-		ADDED L090S, ADDED NOTES 2 & 4 & UPDATED PDM ATTRIBUTES	220369	RH	RH	60
15JL03	R	10	-	-		MAT'L SPEC WAS M3596008 PA6 BLU AND REVISED GRAPHICS	242043	KGP	RVP	60
24JL03	R	10	AA	-		18.1 MIN DUE TO BOW WAS 18.1 MAX DUE TO BOW	243687	KGP	RVP	60
16SE03	R	10	AB	-		UPDATED PDM ATTRIBUTES	246951	EVW	EDV	DMB
280003	R	10	AC	-		UPDATED PDM ATTRIBUTES	248137	JYD	JYD	DMB
14MR06	R	10	AD	-		ADDED OPTIONAL CONSTRUCTION II AND PSD WAS DIM 2	278406	JTZ	FRG	RWR
24JL06	R	10	AE	-		31 +0.3/-0.6 WAS 31 AND 38.1+0.35 WAS 38.1	282870	MM	MM	RWR



NOTES

- UNLESS OTHERWISE SPECIFIED AND/OR INDICATED: DIMENSIONS ARE TO FACE OF VIEW SHOWN AND AUTOMATICALLY ROUNDED BY COMPUTER FOR INSPECTION (SEE MATH MODEL FOR PRECISE DIMENSIONS). FOR ALL OTHER DIMENSIONS NOT SHOWN BUT REQUIRED FOR TOOL BUILD, SEE MATH MODEL FOR PRECISE TOOL PATH DATA.
- MATERIAL RECYCLING CODE >PA66< PER SAE J1344. (2.3)X(0.1) RAISED CHARACTERS AS SHOWN TO BE LOCATED ON ANY EXTERIOR SURFACE. OPTIONAL CONSTRUCTION TO BE NO MATERIAL RECYCLING CODE.
- MATING COMPONENTS OR EQUIVALENT: CONNECTOR 12047946
- (2.3)X(0.1) RAISED DELPHI CORPORATE BRAND TO BE LOCATED ON ANY EXTERIOR SURFACE, PREFERABLY VISIBLE AT FINAL ASSEMBLY. OPTIONAL CONSTRUCTION TO BE "PED" OR NO LOGO.



DIMENSIONAL RANGE (MM)		SHORT ET	
FROM	> 0	> 30	> 100
TO	20	70	100
	100	150	200
	200	250	300
	300	400	
TOLERANCE UNLESS OTHERWISE SPECIFIED:			
	±0.15	±0.2	±0.3
	±0.3	±0.4	±0.5
	±0.6	±0.8	±1
	±1	±1.2	
ANGULAR TOLERANCE 2°			

PART DRAWING	
STYLE	
VOLUME 10/1	DISTR CODE
2, 979	D
UNLESS OTHERWISE SPECIFIED	
THIS DOCUMENT IS IN ACCORDANCE WITH ASME Y14.5M-1994 AS MODIFIED BY THE IN CHARGE, DIMENSIONING AND TOLERANCE APPLICATION (DTA). ALL DIMENSIONS AND RELATED DATUMS APPLY UNLESS OTHERWISE SPECIFIED. DIMENSIONS NOT SHOWN BUT REQUIRED FOR TOOL BUILD ARE ESTABLISHED BY DIMENSIONING OR LOCATION TOLERANCES. SPACED PARTITION CALLOUTS MAY BE SHOWN SEPARATELY, REGARDLESS OF DATUM REFERENCE.	
ALL DIMENSIONS ARE IN MILLIMETERS	
REFERENCE	
THIRD ANGLE PROJECTION	DO NOT SCALE
SCALE	USE MATH DATA

DELPHI	
DELPHI PACKARD ELECTRIC SYSTEMS WARREN, OH	
DR	DATE
APV01 M. VEGA	27DE93
APV02 T. STEEL	10FE94
APV03 A. HERMANN	17FE94
APV04	
APV05	
SUBSTANCES OF CONCERN AND RECYCLED CONTENT PER DELPHI 10949001	
MATERIAL	
M3592008 PA66 HS 1M BLU	
DRAWING NAME	
LOCK SECONDARY TPA BLU	
DRAWING NUMBER	
12047900	
SIZE	SCALE
A0	5:1
FRAME NO	SHEET NO
1 OF 1	1 OF 1
REV	N/P
R	10
AE	

Mouser Electronics

Authorized Distributor

Click to View Pricing, Inventory, Delivery & Lifecycle Information:

[Aptiv:](#)

[12047900](#)