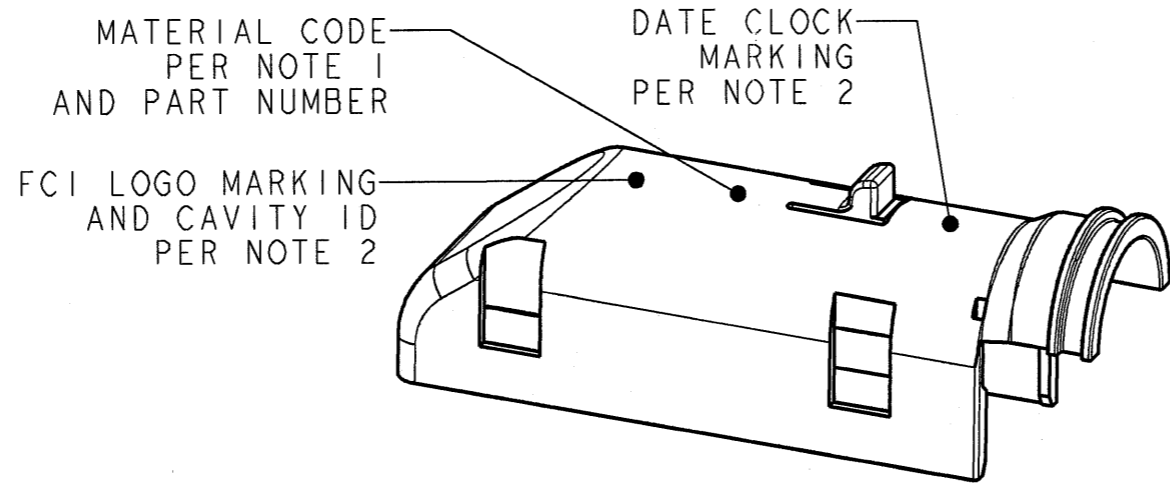

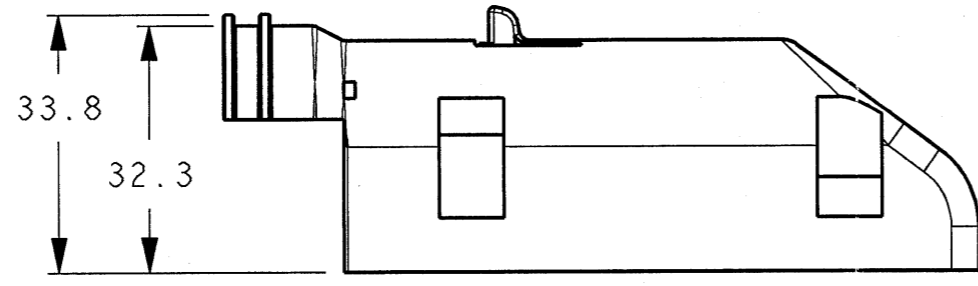
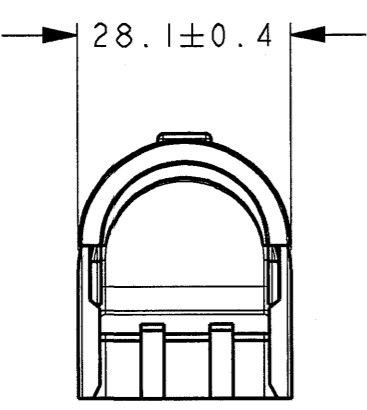
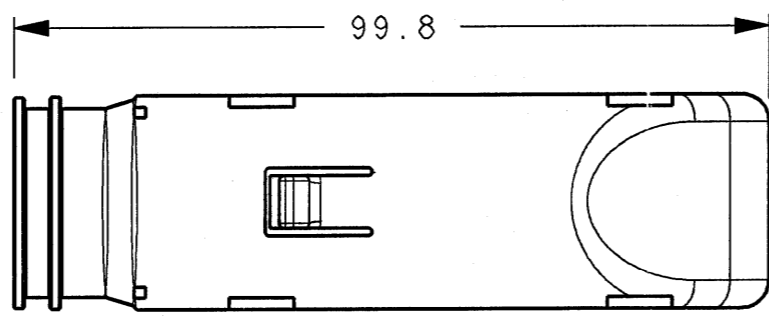


DRAWING NUMBER	H48007	REVISION	J	SHEET	1/1	APPROVAL LEVEL	-
DRAWING	-						



NOTES:

- 1) 'LEGIBLE PLASTIC COMPOUND' IDENTIFICATION SYMBOL PER ISO 11469 MUST APPEAR ON THIS SURFACE, RAISED OR DEPRESSED (0.2 mm), MUST NOT AFFECT APPEARANCE, FUNCTION, OR ASSEMBLY.
EXAMPLE : >SPS - GF30< OR >PA66 - GF35<
- 2) DATE CLOCK, FCI LOGO, MOLD AND CAVITY I.D., AND P/N IN THIS GENERAL AREA.
- 3)  QUALITY ASSURANCE REQUIREMENTS
SPC DATA REQUIRED: 1
(DIMENSIONAL OR PROCESS PARAMETERS PERMISSIBLE)



UNCONTROLLED
FCI AUTOMOTIVE
SEP 14 2005
AMERICAS

FCI
MASTER COPY
WHEN IN RED

ECN-NUMBER	DATE M-D-YY	REVISION	ZONE	CHANGE DESCRIPTION	DRAWN BY	CHK. BY	APPR. BY
8025	09/12/05	J	A8	PA66 WAS PA	JRG	AM	AM
7892	07/02/05	H	A7	ADDED 54210045A	JRG	AM	AM
			A3	ADDED NEW MATERIAL			
7892	07/02/05	H	E2	REVISED NOTE	JRG	AM	AM
6814	06/8/04	G3	D3	NOTE 3 ADDED	TK	TK	TK
6794	06/3/04	G2	F6	MARKING NOTE UPDATED	TK	TK	TK
			E6	MARKING NOTE UPDATED			
			A8	REMOVED SOURCE ID FROM NOTE 2			
6247	01/16/04	G	-	ADDED NOTES AND 28.1±0.4 WAS 28.1	DEH	TK	TK
5913	10/30/03	F	-	P/N 54210045 WAS 54210047	DEH	TWT	TK
5903	10/28/03	E	-	P/N 54210047 WAS 54210022	DEH	TWT	TK
5500	05/30/03	D	-	54210022 WAS 5410022	DEH	TWT	DG
5294	02/26/03	C	-	ADDED MOLD NUMBERS	DEH	TWT	DG
		I	-	CHANGED MATERIAL TO NWA 7030			
5127	12/04/02	B	-	99.82 WAS 99.5	DEH	TWT	DG
5067	10/31/02	A	-	RELEASE FOR ENGINEERING USE	DEH	TWT	DG
5004	10/15/02	I	-	RELEASE FOR ENGINEERING USE	DEH	TWT	DG

PA66 - GF35	54210045A				
SPS - GF 30	54210045				
MATERIAL	PART NUMBER F.C.I.	PART NUMBER	REV DATE	RLV	DRAWING NUMBER
CUSTOMER					

TOLERANCES 1 PLACE ±0.25 2 PLACE ±0.13 ANGULAR ±2°		MATERIAL : DOW QUESTRA NWA 7030 OR BASF ULTRAMID A3E67		SURFACE FINISH	
COUNTERPART NO.		COLOR : BLACK		ECO Loc. Code NA	
DO NOT SCALE DRAWING		TOOL NO. M362		DRAWING NUMBER H48007	
DRAWN BY 11-15-02 M.SARAVANAN		TITLE WIRE DRESS COVER [46/48-WAY]		DRAWING NUMBER H48007	
CHECKED BY		ESR NO. AM050074		FILE NAME H48007	
APPROVED BY 09-26-02 D.GOETZINGER		CAT. NO. -		SCALE 1:1	



CAD SYSTEM
3RD ANGLE
DIMENSION IN MILLIMETERS
A3
SHEET 1 of 1

P259

Mouser Electronics

Authorized Distributor

Click to View Pricing, Inventory, Delivery & Lifecycle Information:

[Aptiv:](#)

[54210045A](#) [54210045A-B](#)