


Part number

TM 1114 DB



Brief description:

Product description	
Series	TM accessories for modular back plates
Product type	junction boxes - IP66/IP67
Style	for TM 1145 TB plate
Family	socket-outlets accessories
Technical data	
Operating temperature range (min, max)	-40°C ... +125°C
IP degree of protection	IP66/IP67
Further technical details	
Weight	410,00 g

Approvals / Standards	
Quality mark	 , EAC
General ordering information	
EAN13 code	8015747089180
Packaging Information	
Packaging length	310,00 mm
Packaging height	265,00 mm
Packaging width	500,00 mm
Packaging weight	8,20 kg
Packaging volume	41,08 dm ³
Packaging description	Carton box
Packaging quantity	20 Pcs
Packaging EAN code	8015747089197
Sub-packaging weight	0,41 kg
Sub-packaging description	Plastic packaging
Sub-packaging quantity	1 Pcs
Sub-packaging EAN barcode	8015747089203

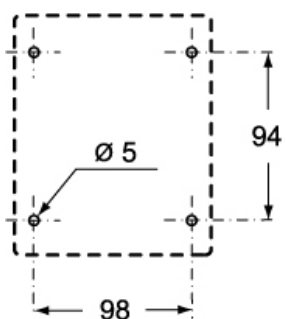
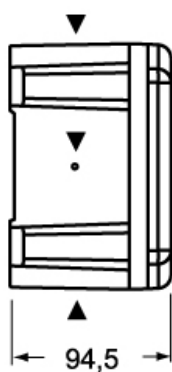
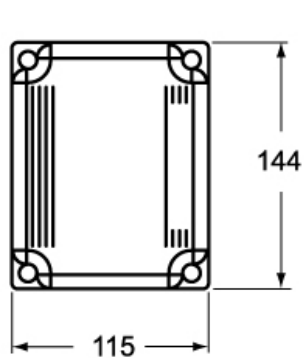
Part number

TM 1114 DB



Catalogue drawings

TM 1114 DB



TM 1414 DB

