

HONEYWELL  
PART NUMBER  
311SM6-H4  
PRODUCT CODE  
TZA1311

| REV | DOCUMENT | CHANGED BY  | CHECK |
|-----|----------|-------------|-------|
| 3   | 0038113  | PRS 12JUN08 | BLR   |

B

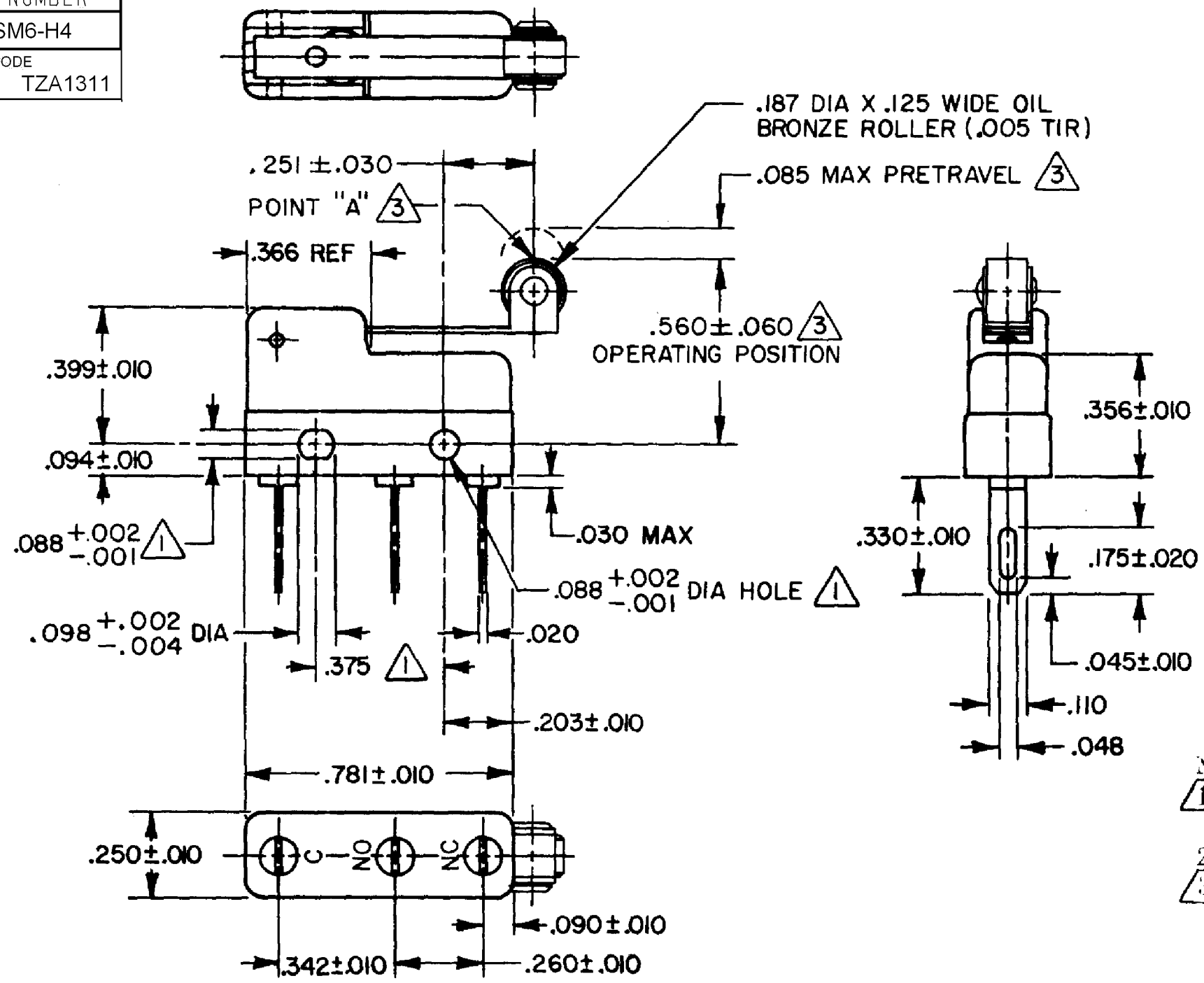
B

A

A

A

A



- NOTES
- ① MOUNTING HOLES WILL ACCEPT PINS OR SCREWS OF .087 MAX DIA ON ±.002 CENTERS
  - ② SWITCH WILL WITHSTAND TEMPERATURE OF 250°F
  - ③ CHARACTERISTICS TAKEN AT POINT "A"

|             |            |
|-------------|------------|
| RELEASE NO. | PR - 16317 |
| REPLACES    | X88808-SM  |

|                                    |
|------------------------------------|
| CHARACTERISTICS (triangle 3)       |
| OPERATING FORCE -- 40 GRAM MAX     |
| RELEASE FORCE -- -- 7 GRAM MIN     |
| DIFFERENTIAL TRAVEL -- -- .019 MAX |
| OVERTRAVEL -- -- -- .018 MIN       |

| ELECTRICAL DATA             |           |                    |             |
|-----------------------------|-----------|--------------------|-------------|
| CONTACT ARRANGEMENT<br>SPDT |           |                    |             |
| 30 VOLTS DC RATING          |           |                    |             |
|                             | SEA LEVEL | 50,000 FT          |             |
| INDUCTIVE                   | 3 AMP     | 2.5 AMP            |             |
| RESISTIVE                   | 5 AMP     | 5 AMP              |             |
| MAXIMUM INRUSH 24 AMP       |           |                    |             |
| APPROVALS                   | KEMA, CE  | 5A, 250V ~ T85 1E4 | CE          |
|                             | UL, CSA   | 5A, 250 VAC        | UL BRAND L4 |

|                          |       |
|--------------------------|-------|
| DESIGN UNITS: INCH       |       |
| TOLERANCES UNLESS NOTED: |       |
| NO PLACE X ±             | -     |
| ONE PLACE .X ±           | 0.030 |
| TWO PLACE .XX ±          | 0.015 |
| THREE PLACE .XXX ±       | 0.005 |
| FOUR PLACE .XXXX ±       | -     |
| ANGLES ±                 | -     |
| THIRD ANGLE PROJECTION   |       |
|                          |       |

|  |    |           |
|--|----|-----------|
| DRAWN  | VK | 05 NOV 07 |
| CHECK  | RJ | 05 NOV 07 |
| THIS DRAWING COVERS A PROPRIETARY ITEM AND IS THE PROPERTY OF HONEYWELL. THIS DRAWING IS NOT TO BE COPIED OR USED WITHOUT THE PERMISSION OF HONEYWELL. |    |           |
| INTERPRET PER ANSI Y14.5M-1982 OTHER HONEYWELL ENGINEERING STANDARDS MAY APPLY   |    |           |
| RASTER   |    |           |

|                         |      |                    |              |
|-------------------------|------|--------------------|--------------|
| <b>Honeywell</b>        |      |                    |              |
| TITLE<br>SWITCH - BASIC |      |                    |              |
| SIZE                    | TYPE | DRAWING NAME       | REV          |
| B                       | I    | 311SM6-H4          | 3            |
| SCALE                   | -    | WEIGHT .006 LB MAX | SHEET 1 OF 1 |