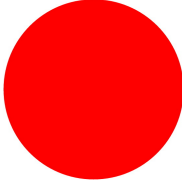
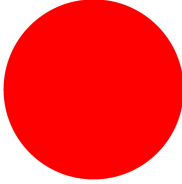






Mushroom actuator, red, maintained

Part no. **M22-DRP-R**
 Article no. **216745**
 Catalog No. **M22-DRP-RQ**

Delivery programme

Product range			RMQ-Titan (drilling dimensions 22.5 mm)
Basic function			Mushroom-headed pushbutton
Single unit/Complete unit			Single unit
Design			Mushroom maintained
Colour			
Mushroom			red
Mushroom colour			
Button plate			
button plate			red
Button plate			
			Blank
Degree of Protection			IP67, IP69K
Front ring			Bezel: titanium
Connection to SmartWire-DT			Yes, with SWD-RMQ connections
Actuator travel and actuation force as per DIN EN 60947-5-1, K.5.4.1			
Minimum force for positive opening	N		0
Front dimensions			22 x 22
Function			maintained
Instructions			Stay-put/spring-return function can be changed on device

Technical data

General			
Standards			IEC/EN 60947 VDE 0660
Lifespan, mechanical	Operations	$\times 10^6$	> 1
Operating frequency	Operations/h		 1800
Actuating force		n	 5
Climatic proofing			Damp heat, constant, to IEC 60068-2-78 Damp heat, cyclic, to IEC 60068-2-30
Ambient temperature			
Open		°C	-25 - +70
Storage		°C	-40 - +80
Mounting position			As required
Mechanical shock resistance		g	30 Shock duration 11 ms Sinusoidal according to IEC 60068-2-27

Design verification as per IEC/EN 61439

Technical data for design verification				
Rated operational current for specified heat dissipation	I_n	A	0	
Heat dissipation per pole, current-dependent	P_{vid}	W	0	
Equipment heat dissipation, current-dependent	P_{vid}	W	0	
Static heat dissipation, non-current-dependent	P_{vs}	W	0	
Heat dissipation capacity	P_{diss}	W	0	
Operating ambient temperature min.		°C	-25	
Operating ambient temperature max.		°C	70	
IEC/EN 61439 design verification				
10.2 Strength of materials and parts				
10.2.2 Corrosion resistance				
			Meets the product standard's requirements.	
10.2.3.1 Verification of thermal stability of enclosures				
			Meets the product standard's requirements.	
10.2.3.2 Verification of resistance of insulating materials to normal heat				
			Meets the product standard's requirements.	
10.2.3.3 Verification of resistance of insulating materials to abnormal heat and fire due to internal electric effects				
			Meets the product standard's requirements.	
10.2.4 Resistance to ultra-violet (UV) radiation				
			Please enquire	
10.2.5 Lifting				
			Does not apply, since the entire switchgear needs to be evaluated.	
10.2.6 Mechanical impact				
			Does not apply, since the entire switchgear needs to be evaluated.	
10.2.7 Inscriptions				
			Meets the product standard's requirements.	
10.3 Degree of protection of ASSEMBLIES				
			Does not apply, since the entire switchgear needs to be evaluated.	
10.4 Clearances and creepage distances				
			Meets the product standard's requirements.	
10.5 Protection against electric shock				
			Does not apply, since the entire switchgear needs to be evaluated.	
10.6 Incorporation of switching devices and components				
			Does not apply, since the entire switchgear needs to be evaluated.	
10.7 Internal electrical circuits and connections				
			Is the panel builder's responsibility.	
10.8 Connections for external conductors				
			Is the panel builder's responsibility.	
10.9 Insulation properties				
10.9.2 Power-frequency electric strength				
			Is the panel builder's responsibility.	
10.9.3 Impulse withstand voltage				
			Is the panel builder's responsibility.	
10.9.4 Testing of enclosures made of insulating material				
			Is the panel builder's responsibility.	
10.10 Temperature rise				
			Not applicable.	
10.11 Short-circuit rating				
			Is the panel builder's responsibility. The specifications for the switchgear must be observed.	
10.12 Electromagnetic compatibility				
			Is the panel builder's responsibility. The specifications for the switchgear must be observed.	
10.13 Mechanical function				
			The device meets the requirements, provided the information in the instruction leaflet (IL) is observed.	

Technical data ETIM 6.0

Low-voltage industrial components (EG000017) / Front element for mushroom push-button (EC001038)				
Electric engineering, automation, process control engineering / Low-voltage switch technology / Command and alarm device / Front element for mushroom push-button actuators (ecl@ss8.1-27-37-12-12 [AKF030011])				
Colour button				Red
Construction type lens				Round
Diameter cap		mm	36.5	
Hole diameter		mm	22	
Width opening		mm	22	
Height meter opening		mm	6	
Degree of protection (IP)				IP67
Type of button				Flat
Suitable for illumination				No
Switching function latching				Yes
Spring-return				No
With front ring				Yes
Material front ring				Plastic
Colour front ring				Chrome
Suitable for emergency stop				No

Unlocking method

None

Approvals

IEC/EN 60947-5; UL 508; CSA-C22.2 No. 14-05; CSA-C22.2 No. 94-91; CE marking

E29184

NKCR

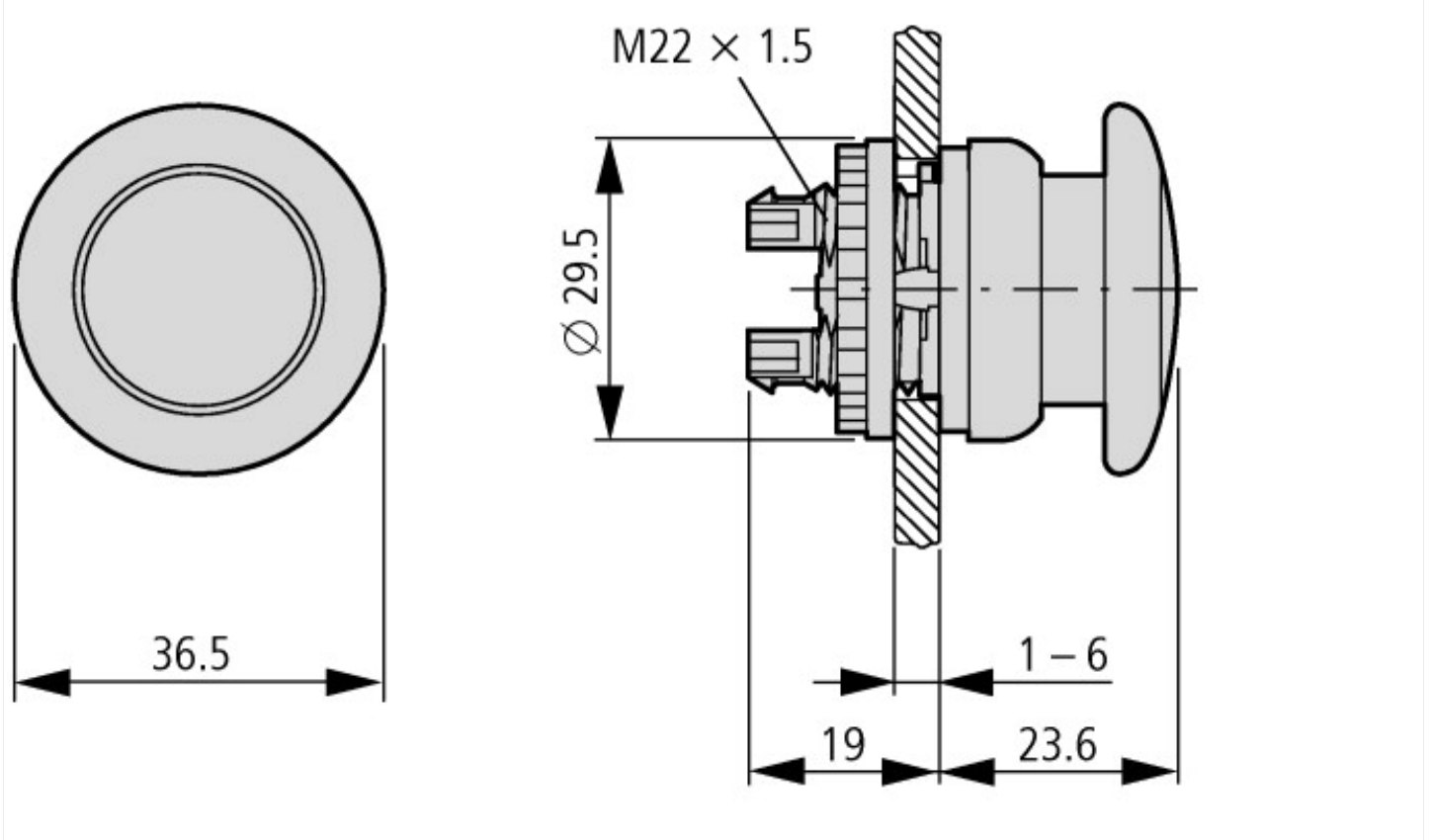
012528

3211-03

UL listed, CSA certified

UL/CSA Type 3R, 4X, 12, 13

Dimensions





Additional product information (links)

IL04716002Z (AWA1160-1745) RMQ-Titan System

IL04716002Z (AWA1160-1745) RMQ-Titan System

ftp://ftp.moeller.net/DOCUMENTATION/AWA_INSTRUCTIONS/IL04716002Z2015_02.pdf