

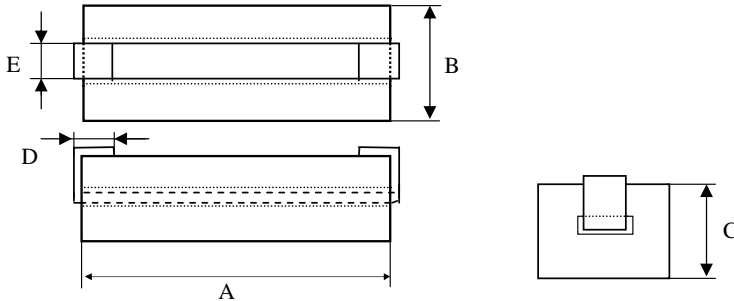
Spezifikation für Freigabe / specification for release

Kunde / customer : _____
 Artikelnummer / part number : **7427930**
 Bezeichnung : **SMD-FERRIT WE-PBF**
 description : **SMD Power Bead Ferrite WE-PBF**



DATUM / DATE : 2007-10-01

A Mechanische Abmessungen / dimensions:

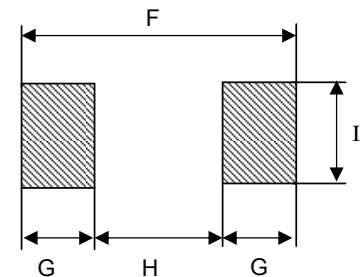


A	4,0 ± 0,20	mm
B	3,0 ± 0,20	mm
C	2,55 ± 0,15	mm
D	1,27 ± 0,30	mm
E	1,45 ± 0,10	mm
F	6,3 ref.	mm
G	2,2 ref.	mm
H	1,9 ref.	mm
I	3,3 ref.	mm

B Elektrische Eigenschaften / electrical properties:

Eigenschaften / properties	Testbedingungen / test conditions		Wert / value	Einheit / unit	tol.
Impedanz / impedance	25 MHz	Z	28	Ω	±25%
Max. Impedanz / max. impedance	100 MHz	Z	42	Ω	typ.
DC-Widerstand / DC-resistance		R _{DC}	0,60	mΩ	max.
Nennstrom / rated current		I _{DC}	6	A	max.

C Lötpad / soldering spec.:



D Prüfgeräte / test equipment:

E4991A für/for Z und/and material
HP 34401 A für/for R_{DC} und/and IDC

E Testbedingungen / test conditions:

Luftfeuchtigkeit / humidity: 33%
 Umgebungstemperatur / temperature: +20°C

F Werkstoffe & Zulassungen / material & approvals:

Basismaterial / base material: 3 W 300
 Draht / wire: Ø0.2 T.C.W*1.27*9mm

G Eigenschaften / general specifications:

Curietemperatur / curie temperature: > 150°C
 Betriebstemp. / operating temperature: -55°C - +125°C
 Lagertemperatur / storage temperature: -20°C - + 60°C*
 * vor Verarbeitung

Freigabe erteilt / general release:	Kunde / customer			
	Datum / date	Unterschrift / signature	SMU	Version 4
Geprüft / checked	Würth Elektronik	Kontrolliert / approved	SST	Version 3
			LF	Version 2
			LF	Version 1
			Name	Änderung / modification
				Datum / date

Würth Elektronik eiSos GmbH & Co. KG

D-74638 Waldenburg · Max-Eyth-Strasse 1 - 3 · Germany · Telefon (+49) (0) 7942 - 945 - 0 · Telefax (+49) (0) 7942 - 945 - 400
<http://www.we-online.com>

Spezifikation für Freigabe / specification for release

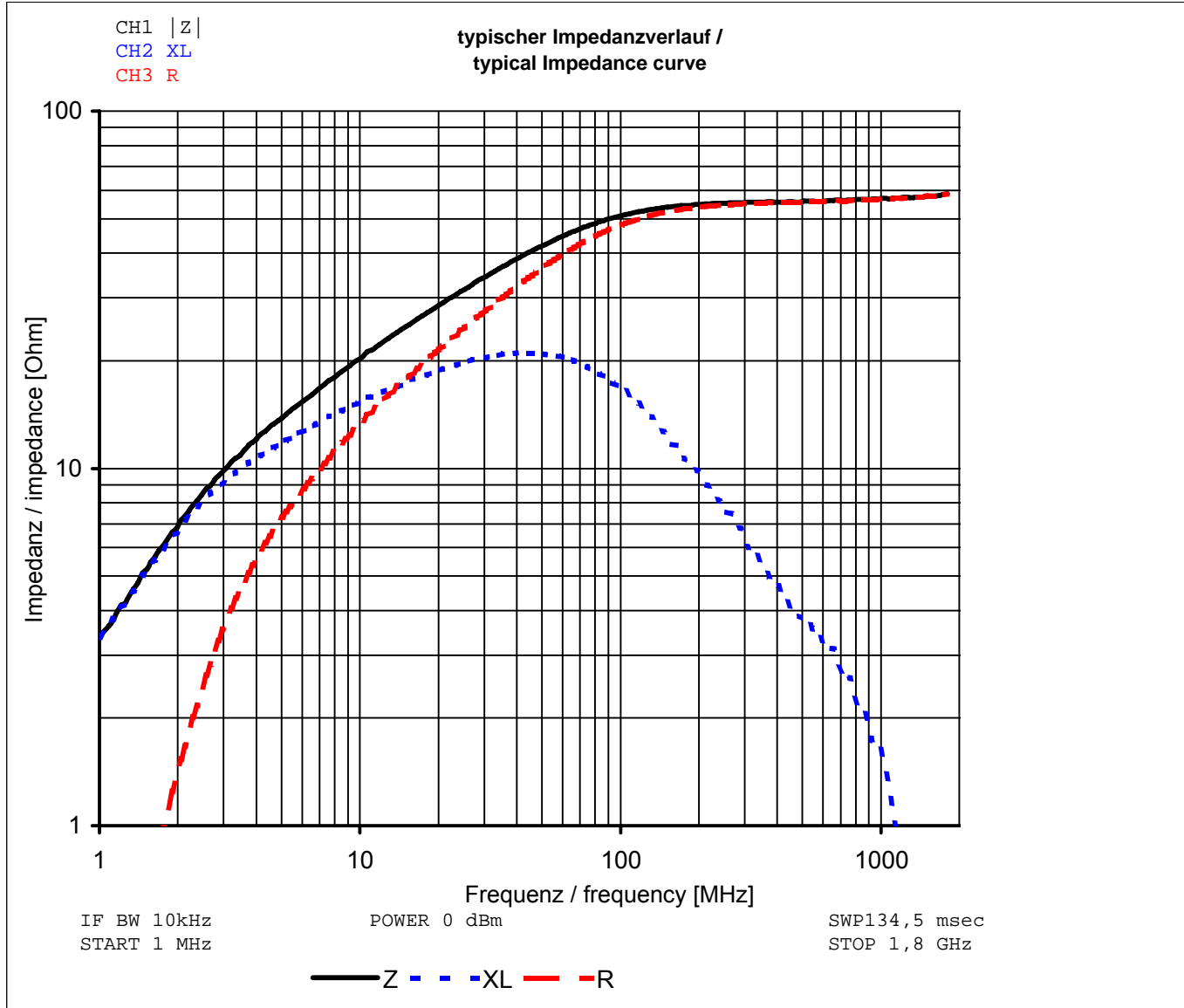
Kunde / customer : _____
 Artikelnummer / part number : **7427930**
 Bezeichnung : **SMD-FERRIT WE-PBF**
 description : **SMD Power Bead Ferrite WE-PBF**



WÜRTH ELEKTRONIK

DATUM / DATE : 2007-10-01

H Impedanzverlauf / impedance curve:



Freigabe erteilt / general release:	Kunde / customer			
Datum / date	Unterschrift / signature	SMU	Version 4	07-10-01
	Würth Elektronik	SST	Version 3	05-03-17
		LF	Version 2	04-10-11
		LF	Version 1	04-01-14
Geprüft / checked	Kontrolliert / approved	Name	Änderung / modification	Datum / date

Würth Elektronik eiSos GmbH & Co. KG

D-74638 Waldenburg · Max-Eyth-Strasse 1 - 3 · Germany · Telefon (+49) (0) 7942 - 945 - 0 · Telefax (+49) (0) 7942 - 945 - 400
<http://www.we-online.com>

Spezifikation für Freigabe / specification for release

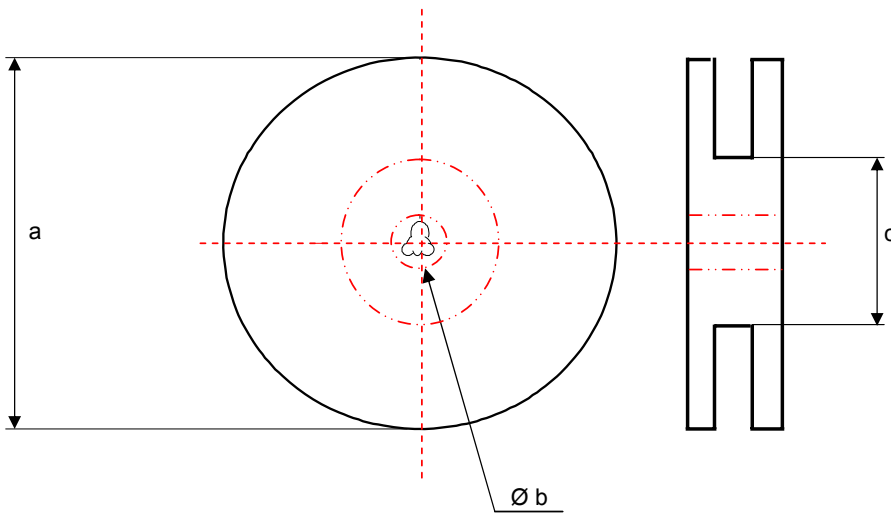
Kunde / customer : _____
 Artikelnummer / part number : **7427930**
 Bezeichnung : **SMD-FERRIT WE-PBF**
 description : **SMD Power Bead Ferrite WE-PBF**



DATUM / DATE : 2007-10-01

H Rollenspezifikation / Reel specification:

Verpackungseinheit / packing unit 500pcs.



Rollenspezifikation / Reel specification:		
a	178,0 ± 1,0	mm
b	13,5 ± 0,5	mm
c	78,0 ± 0,5	mm

Freigabe erteilt / general release:	Kunde / customer			
.....			
Datum / date	Unterschrift / signature	SMU	Version 4	07-10-01
	Würth Elektronik	SST	Version 3	05-03-17
		LF	Version 2	04-10-11
		LF	Version 1	04-01-14
Geprüft / checked	Kontrolliert / approved	Name	Änderung / modification	Datum / date

This electronic component has been designed and developed for usage in general electronic equipment. Before incorporating this component into any equipment where higher safety and reliability is especially required or if there is the possibility of direct damage or injury to human body, for example in the range of aerospace, aviation, nuclear control, submarine, transportation, (automotive control, train control, ship control), transportation signal, disaster prevention, medical, public information network etc, Würth Elektronik eiSos GmbH must be informed before the design-in stage. In addition, sufficient reliability evaluation checks for safety must be performed on every electronic component which is used in electrical circuits that require high safety and reliability functions or performance.

Würth Elektronik eiSos GmbH & Co. KG

D-74638 Waldenburg · Max-Eyth-Strasse 1 - 3 · Germany · Telefon (+49) (0) 7942 - 945 - 0 · Telefax (+49) (0) 7942 - 945 - 400
<http://www.we-online.com>