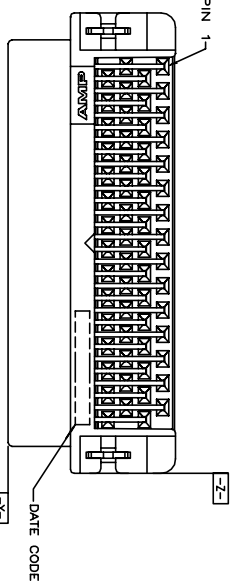
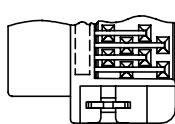


REVISONS

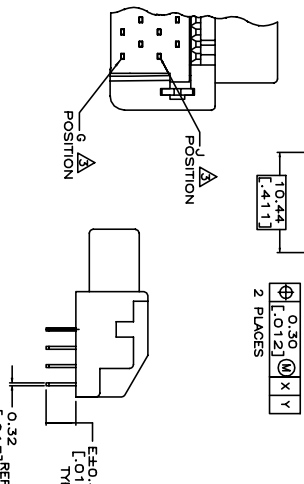
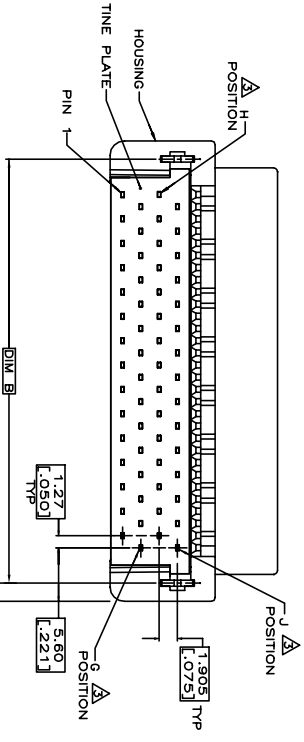
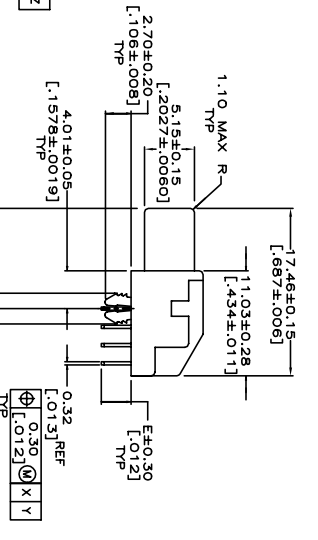
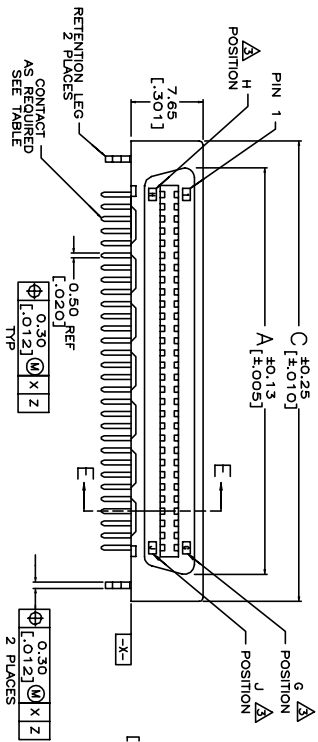
P	LTR	DESCRIPTION	DATE	DNM	APVD
G2		ADDED NEW DASH NO.5-4 PER NEW REQUEST	28APR2021	SH	SZ



FOR 40, 60, 68, 80, 100, 120,  
140, 160, 180, 200 POSITIONS ONLY



FOR 50, AND 130  
POSITIONS ONLY



- NOTE:
- MATERIAL: HOUSING: LIQUID CRYSTAL POLYMER (LCP), UL 94V-0, BLACK COLOR. CONTACTS: PHOSPHOR BRONZE. BOARDLOCKS: BRASS.
  - FINISH: CONTACTS: (SEE TABLE) GOLD PLATED ON CONTACT AREA, 3.81um [150u"] MIN. MATTE-TIN ON SOLDERTAIL, OVER 1.27mm [50m"] MIN. NICKEL UNDERPLATED. BOARDLOCKS: 3.81um [150u"] MIN. TIN-CU OVER 1.27mm [50m"] MIN. UNDERPLATED.

- G, J, AND H INDICATES NUMBER OF POSITION MARKED ON ASSEMBLY. ALSO SEE TABLE. CONNECTOR SOLDER TAILS WILL ACCOMMODATE PRINTED CIRCUIT BOARD THICKNESS OF 0.80 TO 1.60 [0.31 TO 0.63]. BOARDLOCKS NOT PRESENT. 6. WAVE SOLDER CAPABLE TO 265°C PER TEST SPEC. 109-202, CONDITION B. GOLD FLASH OVER 0.762um [30u"] MIN. PALLADIUM-NICKEL PLATED. OBSOLETE

WITHOUT RETENTION LEG

POS.	A	B	C	D	E	NOTES
40	20	40	21	29.67	31.53	
60	30	60	31	42.37	44.23	
80	40	80	41	55.07	56.93	
100	50	100	51	67.77	69.63	
120	60	120	61	80.47	82.33	
140	70	140	71	93.17	95.03	
160	80	160	81	105.87	107.73	
180	90	180	91	118.57	120.43	
200	100	200	101	131.27	133.13	
220	110	220	111	143.97	145.83	
240	120	240	121	156.67	158.53	
260	130	260	131	169.37	171.23	
280	140	280	141	182.07	183.93	
300	150	300	151	194.77	196.63	
320	160	320	161	207.47	209.33	
340	170	340	171	220.17	222.03	
360	180	360	181	232.87	234.73	
380	190	380	191	245.57	247.43	
400	200	400	201	258.27	260.13	
420	210	420	211	270.97	272.83	
440	220	440	221	283.67	285.53	
460	230	460	231	296.37	298.23	
480	240	480	241	309.07	310.93	
500	250	500	251	321.77	323.63	
520	260	520	261	334.47	336.33	
540	270	540	271	347.17	349.03	
560	280	560	281	359.87	361.73	
580	290	580	291	372.57	374.43	
600	300	600	301	385.27	387.13	
620	310	620	311	397.97	399.83	
640	320	640	321	410.67	412.53	
660	330	660	331	423.37	425.23	
680	340	680	341	436.07	437.93	
700	350	700	351	448.77	450.63	
720	360	720	361	461.47	463.33	
740	370	740	371	474.17	476.03	
760	380	760	381	486.87	488.73	
780	390	780	391	499.57	501.43	
800	400	800	401	512.27	514.13	
820	410	820	411	524.97	526.83	
840	420	840	421	537.67	539.53	
860	430	860	431	550.37	552.23	
880	440	880	441	563.07	564.93	
900	450	900	451	575.77	577.63	
920	460	920	461	588.47	590.33	
940	470	940	471	601.17	603.03	
960	480	960	481	613.87	615.73	
980	490	980	491	626.57	628.43	
1000	500	1000	501	639.27	641.13	

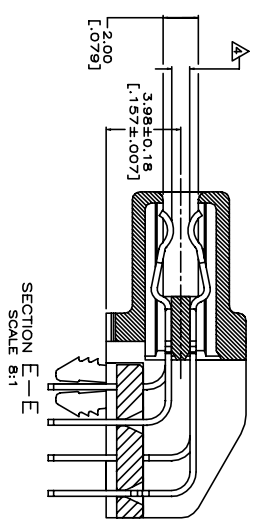
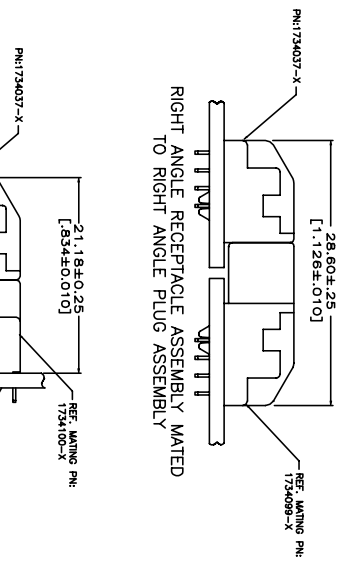
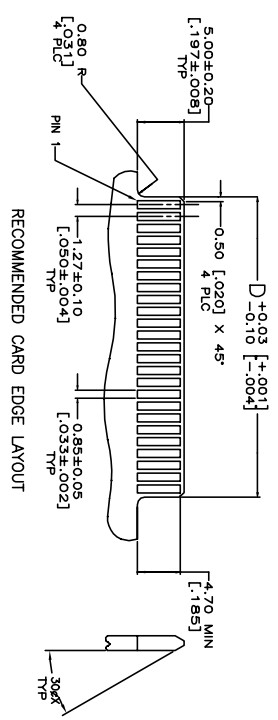
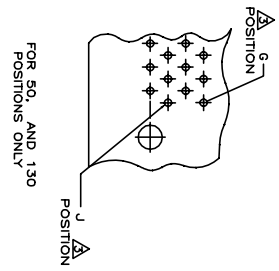
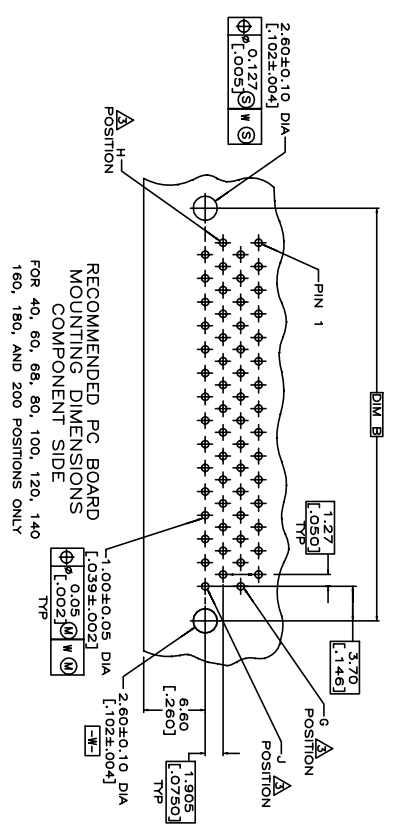
THIS DRAWING IS A CONTROLLED DOCUMENT.

APVD	W. KODAMA	DATE	31MAR2009
CHK	S. CHIEN	DATE	31MAR2009
DMN	F. YANG	DATE	31MAR2009

RECEPTACLE ASSEMBLY, R/A,  
BTB, CHAMP.050, SERIES I

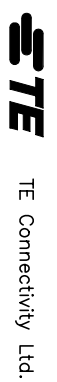
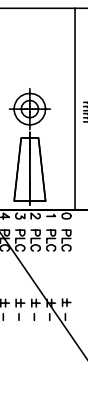
SIZE	A3	QAGE CODE	00779	DRAWING NO.	1734037
WEIGHT		SCALE		SHEET	1 OF 4
CUSTOMER DRAWING				RESTRICTED	G2

REVISIONS			
P	LTR	DESCRIPTION	DATE
-	-	SEE SHEET 1	-



THIS DRAWING IS A CONTROLLED DOCUMENT.

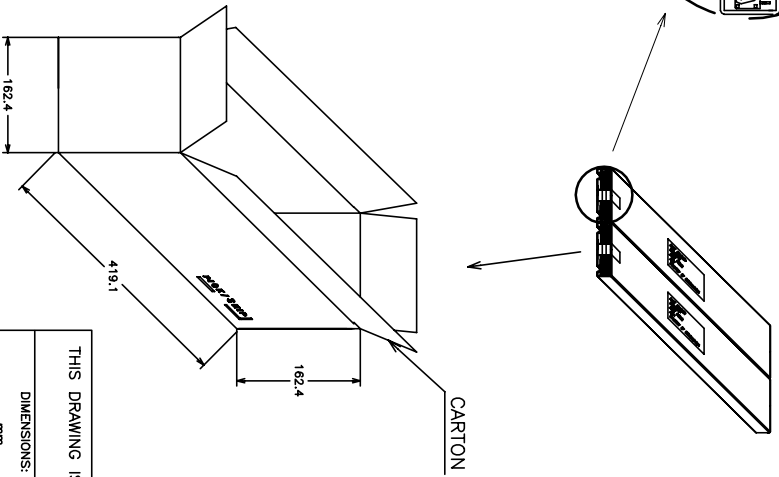
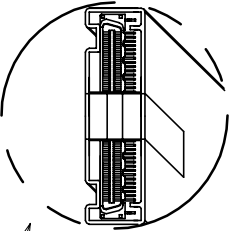
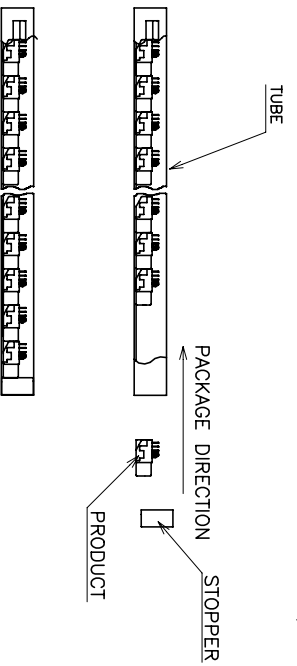
DIMENSIONS:	TOLERANCES UNLESS OTHERWISE SPECIFIED:
mm	
0 PIG	±
1 PIG	±
2 PIG	±
3 PIG	±
4 PIG	±
ANGLES	±
FINISH	±



TE Connectivity Ltd.  
RECEPTACLE ASSEMBLY, R/A,  
BTB, CHAMP.050, SERIES I

APVD	CHK	DMN	NAME
			RECEPTACLE ASSEMBLY, R/A, BTB, CHAMP.050, SERIES I
PRODUCT SPEC	APPLICATION SPEC	WEIGHT	SIZE
			A3
CAGE CODE	DRAWING NO	RESTRICTED TO	
00779	1734037		
CUSTOMER DRAWING	SCALE	SHEET	REV
		2 OF 4	G2

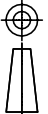
REVISIONS				
P	LTR	DESCRIPTION	DATE	APVD
-	-	SEE SHEET 1	-	-



POS.	QTY/ TUBE	TUBE/ BOX	QTY/ BOX	N/W (KG)	G/W (KG)	PART NUMBER
80	21	16	336	2.06	2.91	6-1734037-2
100	21	16	336	2.55	3.40	4-1734037-1
80	21	16	336	2.08	2.93	2-1734037-1

THIS DRAWING IS A CONTROLLED DOCUMENT.

DIMENSIONS:	TOLERANCES UNLESS OTHERWISE SPECIFIED:
mm	±
0 P/C	±
1 P/C	±
2 P/C	±
3 P/C	±
4 P/C	±
ANGLES	±



DWG	CHK	APVD	PRODUCT SPEC	APPLICATION SPEC	WEIGHT	CUSTOMER DRAWING
-	-	-	-	-	-	-

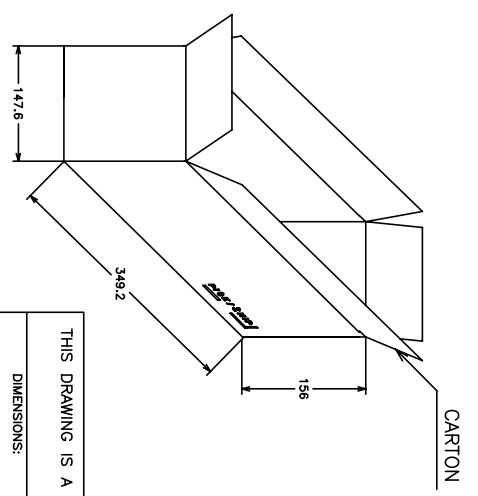
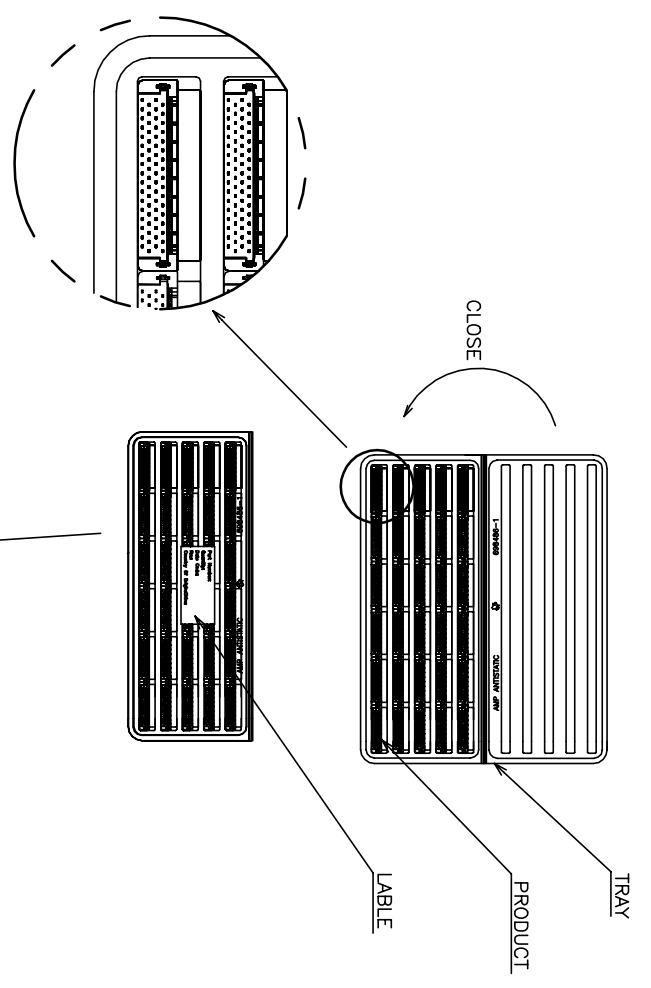
**STE** TE Connectivity Ltd.

RECEPTACLE ASSEMBLY, R/A,  
BTB, CHAMP.050, SERIES I

NAME	SIZE	CAGE CODE	DRAWING NO	RESTRICTED TO
A3	00779	1734037		

SCALE	SHEET	REV
-	3 OF 4	G2

REVISIONS				
P	LTR	DESCRIPTION	DATE	APVD
-	-	SEE SHEET 1	-	-



QTY/ TRAY	TRAY/ BOX	QTY/ BOX	N/W (KG)	G/W (KG)	PART NUMBER	
40	45	10	450	1.55	2.45	5-1734037-4
160	10	10	100	1.33	2.28	5-1734037-6
						3-1734037-6
						1-1734037-6
						5-1734037-4
						3-1734037-4
						1-1734037-4
						2-1734037-0
						1-1734037-8
						1-1734037-2
						5-1734037-1
						3-1734037-1
						1-1734037-1
						4-1734037-7
						2-1734037-7
						1734037-7
						4-1734037-6
						2-1734037-6
						1734037-6
						4-1734037-5
						2-1734037-5
						1734037-5
						4-1734037-4
						2-1734037-4
						1734037-4
						4-1734037-3
						2-1734037-3
						1734037-3
						4-1734037-2
						2-1734037-2
						1734037-2
						4-1734037-1
						2-1734037-1
						1734037-1
						4-1734037-0
						2-1734037-0
						1734037-0
						4-1734037-0
						2-1734037-0
						1734037-0

THIS DRAWING IS A CONTROLLED DOCUMENT.

DIMENSIONS:	TOLERANCES UNLESS OTHERWISE SPECIFIED:
mm	
0 P/C	±
1 P/C	±
2 P/C	±
3 P/C	±
4 P/C	±
ANGLES	±
FINISH	±

DMN	-	CHK	-
APVD	-	PRODUCT SPEC	-
APPLICATION SPEC	-	WEIGHT	-
CUSTOMER DRAWING	-	NAME	RECEPTACLE ASSEMBLY, R/A, BTB, CHAMP.050, SERIES I
SIZE	A3	QAGE CODE	00779
DRAWING NO	1734037		RESTRICTED
SCALE	-	SHEET	4 of 4
REV	G2		

# Mouser Electronics

Authorized Distributor

Click to View Pricing, Inventory, Delivery & Lifecycle Information:

[TE Connectivity:](#)

[1734037-6](#)