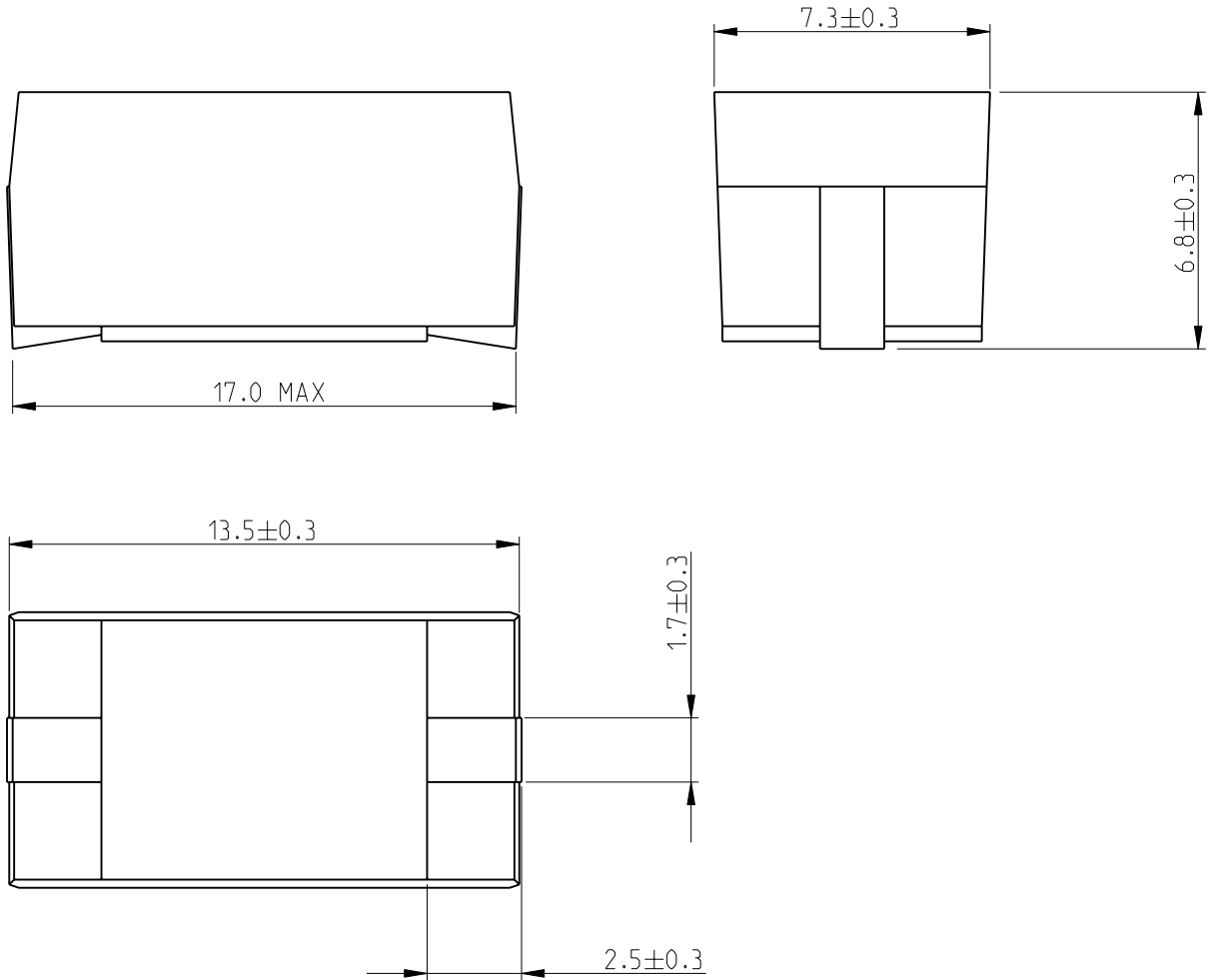
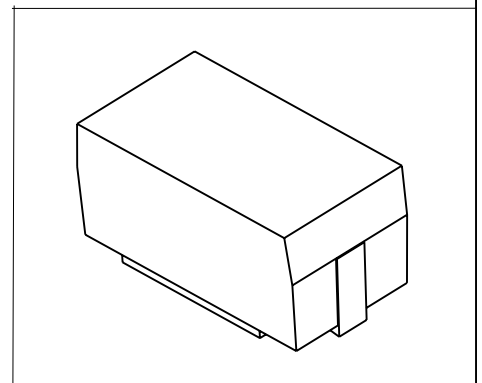
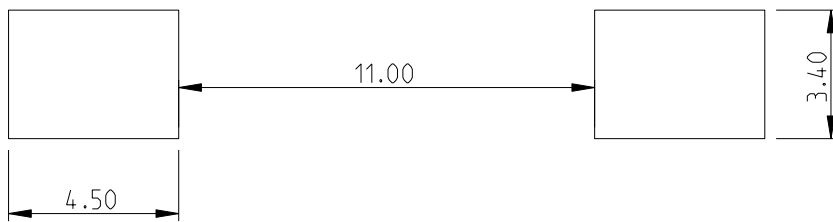


LOC	DIST	REVISIONS					
E	B	P	LTR	DESCRIPTION	DATE	DWN	APVD
			BA	NEW RELEASE	30AUG2010	PT	St.P

FOR FURTHER INFORMATION SEE DATA SHEET FOR  
SERIES SM - SMD MOULDED POWER RESISTOR



RECOMMENDED LAND PATTERN



2008

RELEASED FOR PUBLICATION

THIS DRAWING IS UNPUBLISHED.

© COPYRIGHT 2008 BY TYCO ELECTRONICS CORPORATION. ALL RIGHTS RESERVED.

DIMENSIONS:		DWN	30AUG2010	MATERIAL	FINISH		
mm		PARUSURAM.T		-	-		
TOLERANCES UNLESS OTHERWISE SPECIFIED:		CHK	30AUG2010	Tyco Electronics Corporation Dorcan, Swindon, SN3 5HH			
0 PLC ±0.2		ALLAN.P					
1 PLC ±0.1		APVD	30AUG2010	NAME SMD MOULDED POWER RESISTOR SERIES SM_5			
2 PLC ±		STEPHEN.P					
3 PLC ±		PRODUCT SPEC	-	SIZE	CAGE CODE	DRAWING NO	RESTRICTED TO
4 PLC ±		APPLICATION SPEC	-	A 4	00779	©-1879234	-
ANGLES ±5°		WEIGHT	-	CUSTOMER DRAWING			
				SCALE	5:1	SHEET	1 OF 1
				REV BA			