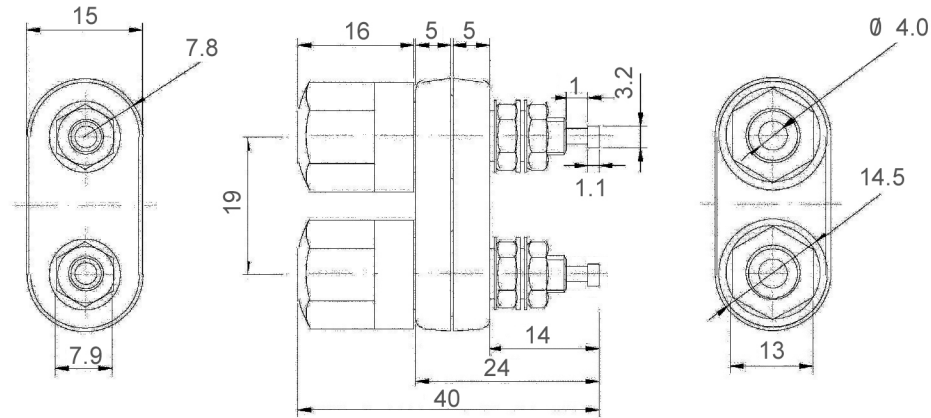


RoHS  
Compliant  
Drawing For  
Reference Only



Technical requirement :

1. This product should meet EU RoHS related requirement.
2. The surface of plastic part should be without any crackle such as burr,lack,and so on phenomenon.
3. The surface of metal part should be without any defect such as scour,nick,oxidation and plating problem.
4. The electronic performance should be the same as spec.
5. The un-specified tolerance is :  $<6\pm 0.2$   
 $6\sim 20\pm 0.3$   
 $>20\pm 0.4$

Specification

1. Nickel Plated Terminal Posts
2. Contact Resistance :  $<0.015$  ohm
3. Insulation Resistance : 500VDC 100M ohm min
4. Rating : 15A 250V (AC)
5. Dielectric Strength : 1000 VAC, 1 Minute

<b>DCI DRAGON CITY INDUSTRIES LIMITED</b>			Design	K.W Law	Remark		Scale	
			Drawing	W.K Yeung	Remark		Material	
Item Name	BINDING POST	Tolerance :	Check	K.L Wong	Remark		Dwg No.	A411031400
Item No.	BP-522-01-EN(HT)	Unit : mm	Approval	K.W Chan	Remark		Sheet	