

Product data sheet

Miniature connectors

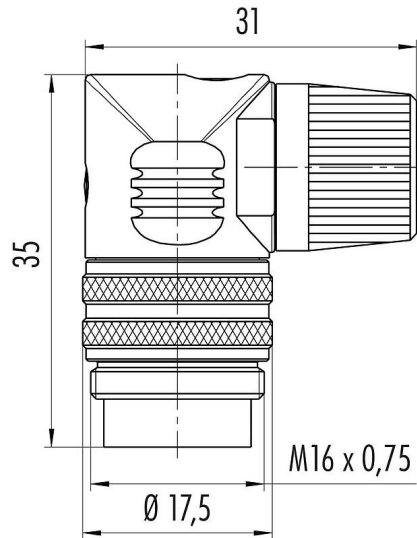


Product description	M16 IP40 Male angled connector, Contacts: 5, 4.0 - 6.0 mm, unshielded, solder, IP40
Area	M16 IP40 series 682
Part no.	09 0139 79 05

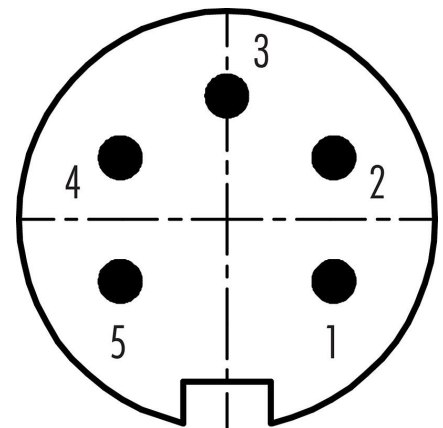
Illustration



Scale drawing



Contact arrangement (Plug-in side)



You can find the component part drawing and assembly instructions on the next page.

Technical data

General features

Part no.	09 0139 79 05
Connector design	Male angled connector
Version	male angled
Connector locking system	screw
Termination	solder
Degree of protection	IP40
Cross-sectional area	0.75 mm ² / AWG 18
Cable outlet	4.0 - 6.0 mm
Twistability	not rotatable
Temperature range from/to	-40 °C / 85 °C
Mechanical operation	> 1000 Mating cycles
Weight (g)	14.27
Customs tariff number	85369010

Electrical parameters

Rated voltage	250 V
Rated impulse voltage	1500 V
Rated current (40 °C)	6,0 A

Product data sheet

Miniature connectors



Product description	M16 IP40 Male angled connector, Contacts: 5, 4.0 - 6.0 mm, unshielded, solder, IP40
Area	M16 IP40 series 682
Part no.	09 0139 79 05

Insulation resistance	$\geq 10^{10} \Omega$
Pollution degree	1
Overvoltage category	I
Insulating material group	III
EMC compliance	unshielded

Material

Housing material	PA
Contact body material	PBT (UL94 V-0)
Contact material	CuZn (brass)
Contact plating	Au (gold)
REACH SVHC	CAS 7439-92-1 (Lead)
SCIP number	ca78cdce-5d78-4478-8e54-6e764cd16b55

Classifications

eCl@ss 11.1	27-44-01-09
ETIM 7.0	EC003569

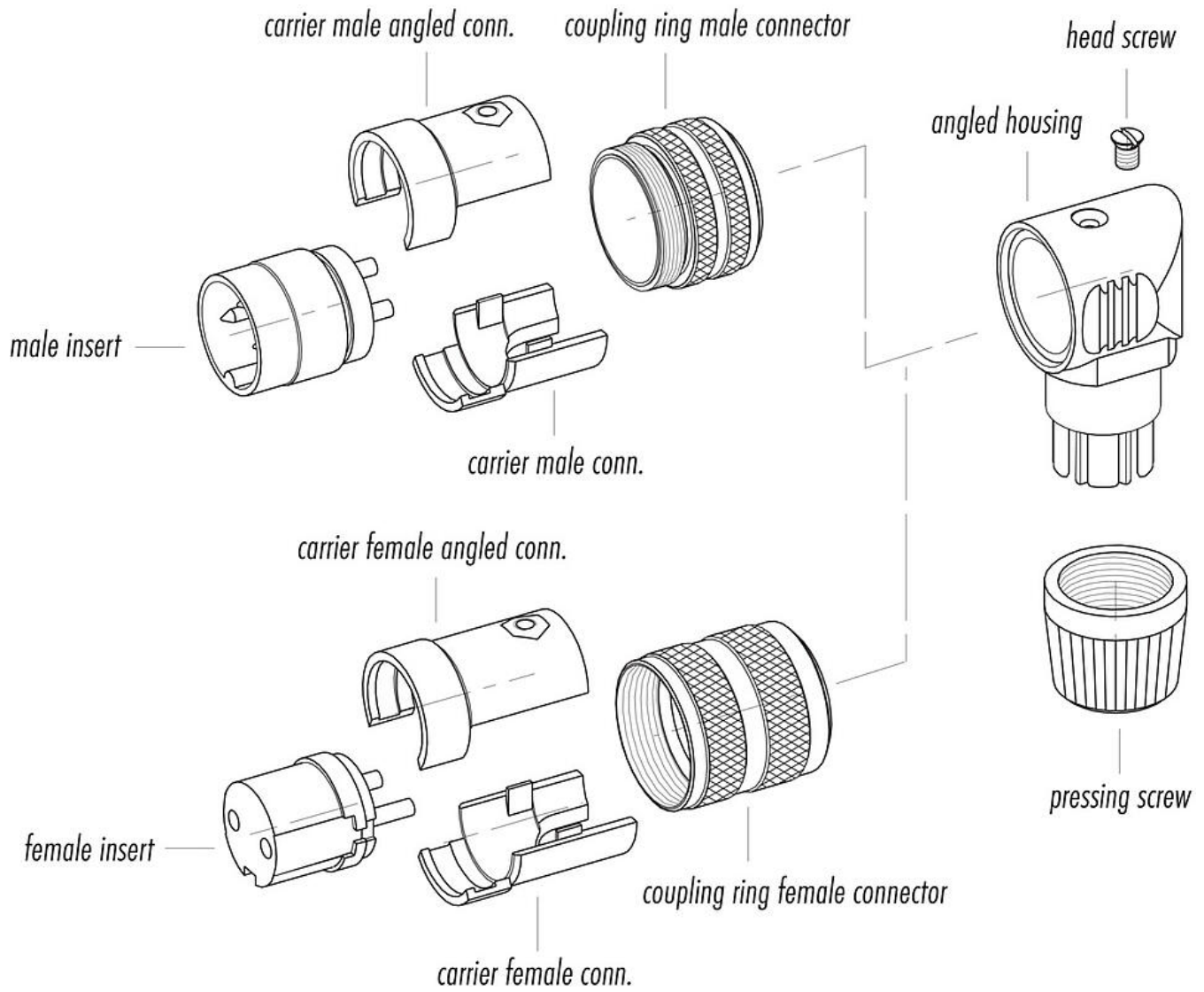
Declarations of conformity

Low Voltage Directive	2014/35/EU (EN 60204-1:2018;EN 60529:1991)
-----------------------	--

Product data sheet
Miniature connectors

Product description	M16 IP40 Male angled connector, Contacts: 5, 4.0 - 6.0 mm, unshielded, solder, IP40
Area	M16 IP40 series 682
Part no.	09 0139 79 05

Component part drawing



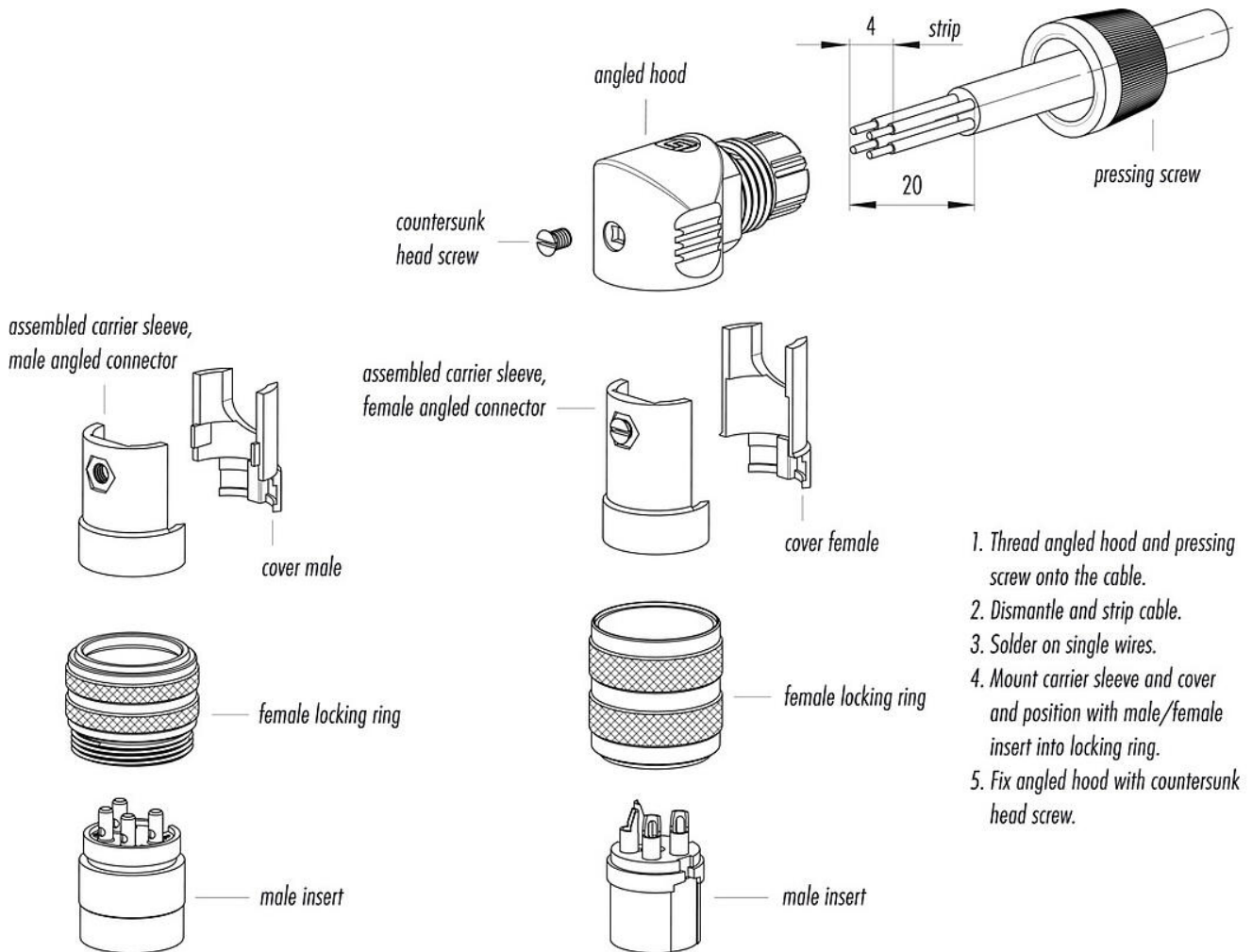
Product data sheet

Miniature connectors

Product description **M16 IP40 Male angled connector, Contacts: 5, 4.0 - 6.0 mm, unshielded, solder, IP40**

Area **M16 IP40 series 682**
Part no. **09 0139 79 05**

Assembly instructions



Product description	M16 IP40 Male angled connector, Contacts: 5, 4.0 - 6.0 mm, unshielded, solder, IP40
Area	M16 IP40 series 682
Part no.	09 0139 79 05

Security notices

The connector must not be plugged or unplugged under load. Non-observance and improper use can result in personal injury.

The connectors have been developed for applications in plant engineering, control and electrical equipment construction. The user is responsible for checking whether the connectors can also be used in other areas of application.

Connectors which are used in circuits with voltages dangerous to the touch may only be installed and used by, or under the supervision of, persons with electrical engineering training, taking into account the applicable regulations and standards.

The plug connector is not suitable for mains voltages. Please observe the pollution degree and the overvoltage category. For further information, please refer to the download center "Technical Information".

To lock the cable connector with the device connector, the threaded ring is tightened "hand-tight" (approx. 50 cNm).