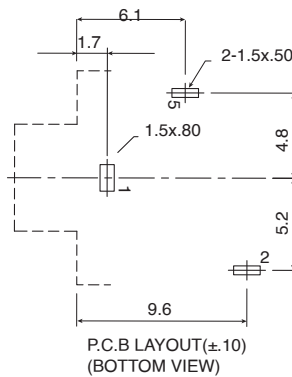
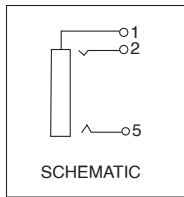
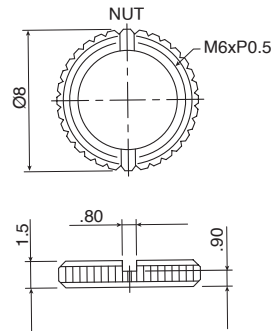
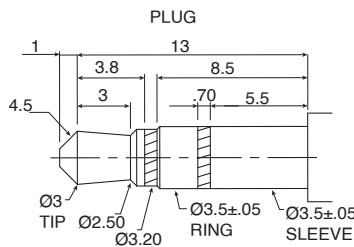
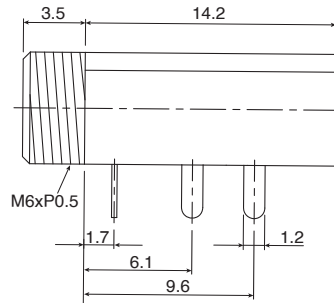
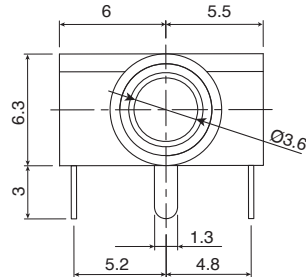


DIMENSIONS: mm



Materials :

NUT : BRASS & NICKEL
COVER : PC, TRANSPARENT
HOUSING : PBT, BLACK
BUSHING : BRASS & NICKEL

Note: RoHS Compliant by Exemption

**Available from Mouser Electronics
1-800-346-6873 / www.mouser.com**

Mouser Electronics

Authorized Distributor

Click to View Pricing, Inventory, Delivery & Lifecycle Information:

[Kobiconn:](#)

[161-36500-EX](#)