

INTRODUCTIONS

1. Two-stage filters provide high insertion loss for both line-to-line and line-to-ground emissions throughout the frequency range.

COMPONENTS

PART NO.	C1(μF)	C2(pF)	L1(mH)	L2(μH)	R(K Ω)
03DCCG5B/W5B	0.47	4700	9.8	160	470
06DCCG5B/W5B	1.0		7.8	110	220
12DCCG5B/W5B			3.25	50	
16DCGG5B/W5B/S5B			2.8	43	

SERIES DIMENSIONS

PART NO.	DIMENSIONS IN INCHES/mm						
	A	B	C	D	E	F	G
03DCCG5B/W5B	2.95 75.0	3.34 84.8	2.05 52.0	2.58 65.6	1.54 39.2	-	-
06DCCG5B/W5B	4.06 103.0	4.49 114.0	2.22 56.5	3.76 95.5	1.83 46.4	-	-
12DCCG5B/W5B	5.63 143.0	6.02 152.9	2.05 52.0	5.30 134.7	1.78 45.3	-	-
16DCGG5B/S5B/W5B	3.90 99.0	4.31 109.5	4.75 120.0	2.01 51.0	2.62 66.5	3.39 86.0	2.28 58.0

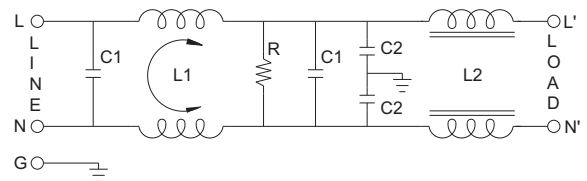
MINIMUM INSERTION LOSS IN dB

COMMON MODE (L-G) IN 50 OHM SYSTEM						
CURRENT RATING	FREQUENCY-MHz					
	.15	.50	1.0	5.0	10	30
3A	25	45	55	55	55	35
6A	25	45	50	60	60	40
12A	20	30	40	55	60	25
16A	15	20	30	60	50	30
DIFFERENTIAL MODE (L-L) IN 50 OHM SYSTEM						
3A	45	60	60	70	70	50
6A	50	60	60	60	60	50
12A	35	55	60	60	60	45
16A	40	55	55	60	60	50

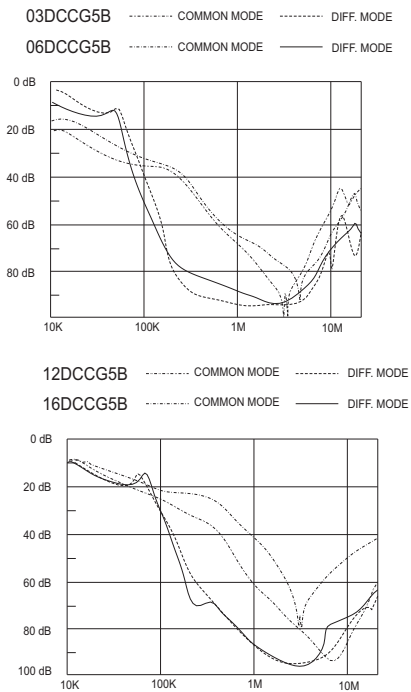
SPECIFICATIONS

- Maximum leakage current each line-to-ground @ 115VAC 60Hz: 0.40mA
@ 250VAC 50Hz: 0.80mA
- Hipot rating (one minute)
line-to-ground: 2250VDC
line-to-line: 1450VDC
- Operating frequency: 50/60Hz
- Rated voltage: 115/250VAC

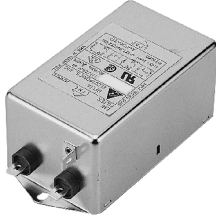
ELECTRICAL SCHEMATIC



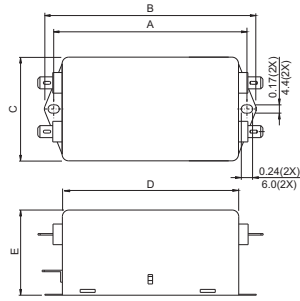
INSERTION LOSS (TYPICAL)



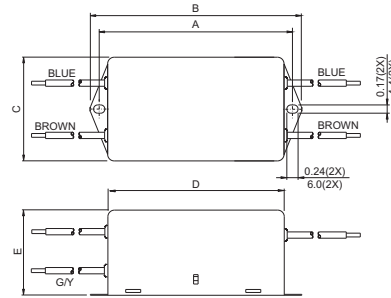
MECHANICAL CONSTRUCTION



CG5B



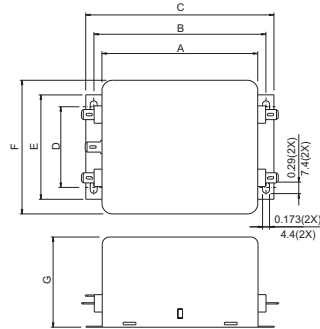
CW5B



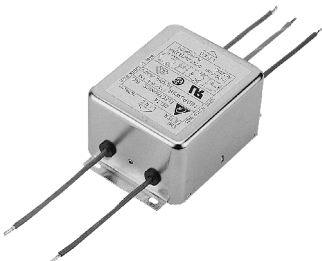
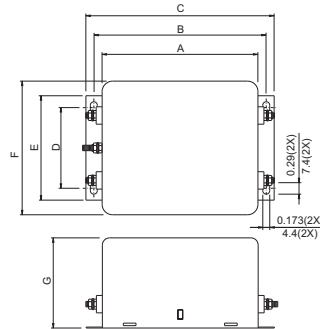
WIRE LENGTH : 4.0" MIN.



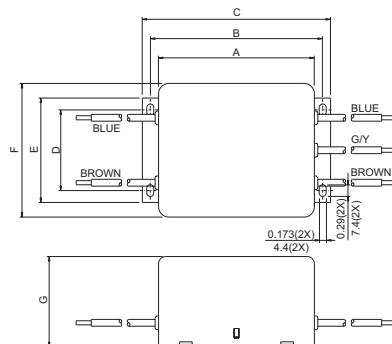
GG5B



GS5B



GW5B



WIRE LENGTH : 4.0" MIN.

UNIT: $\frac{\text{INCH}}{\text{mm}}$

Mouser Electronics

Authorized Distributor

Click to View Pricing, Inventory, Delivery & Lifecycle Information:

[Delta Electronics:](#)

[12DCCG5B](#) [06DCCG5B](#) [03DCCG5B](#) [16DCGG5B](#)