

Membrane Position Sensor



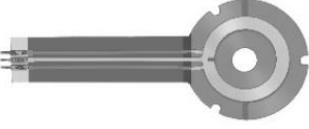
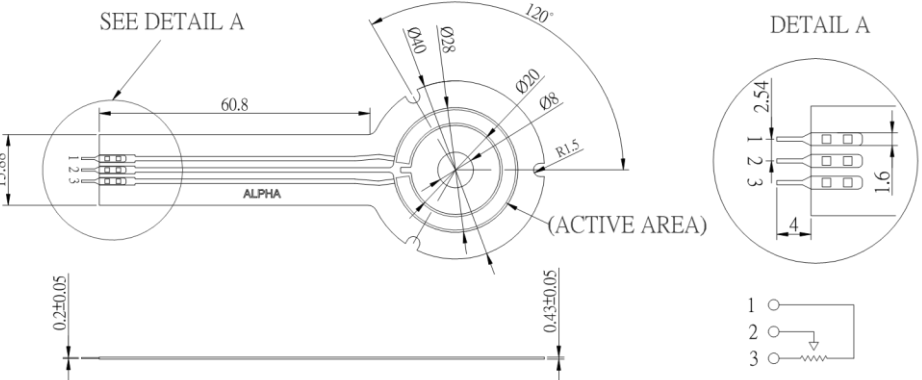
345 degrees Active Angle

Application

✓ IoT and Logistics, Industrial and many others.

Feature

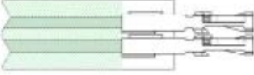


✓ Slim and Flexible

Order Code	Outline Drawing
MVT040-B□□K-231-A01 	

SPECIFICATION

MODEL	MVT040-B□□K-231-A01
POSITION LINEARITY, INDEPENDENT	±3%
RESISTANCE TOLERANCE	±20%
ACTIVE ANGLE	345 degrees
POWER RATING	1 Watt max. @25°C
LIFE CYCLE(WITHOUT FAILURE)	>0.5 Million
OPERATING TEMPERATURE	-20°C to +70°C
IP RATING	IP65
HUMIDITY	No affect @ 95% RH, 4hrs<50°C

CONNECTOR OPTIONS

Female Contacts	Solder Tabs (pin)	Female Contact with Housing
		

Design and specifications presented here are for the standard parts only. Please kindly contact us for your special requests and ask for the current technical specifications before purchase and/or use.

Mouser Electronics

Authorized Distributor

Click to View Pricing, Inventory, Delivery & Lifecycle Information:

[Alpha \(Taiwan\):](#)

[MVT040-B4K-231-A01](#)