

### Features

- On-state RMS current,  $I_{T(RMS)}$  12 A
- Repetitive peak off-state voltage,  $V_{DRM}$  and  $V_{RRM}$  600 V, 800 V and 1000 V
- Triggering gate current,  $I_{GT}$  5 mA or 15 mA

### Description

The standard 12 A SCR series is suitable to fit all modes of control, found in applications such as overvoltage crowbar protection, motor control circuits in power tools and kitchen aids, inrush current limiting circuits, capacitive discharge ignition and voltage regulation circuits.

Available in through-hole or surface-mount packages, they provide an optimized performance in a limited space.

Table 1. Device summary

Order code	Voltage $V_{DRM} / V_{RRM}$ (V)			$I_{GT}$ (mA)	Package
	600	800	1000		
TYN1012RG			x	15	TO-220AB
TYN1012TRG			x	5	TO-220AB
TYN612RG	x			15	TO-220AB
TYN612TRG	x			5	TO-220AB
TYN812RG		x		15	TO-220AB
TYN812TRG		x		5	TO-220AB
TN1215-600B	x			15	DPAK
TN1215-600B-TR	x			15	DPAK
TN1215-600G	x			15	D <sup>2</sup> PAK
TN1215-600G-TR	x			15	D <sup>2</sup> PAK
TN1215-600H	x			15	IPAK
TN1215-800B-TR		x		15	DPAK
TN1215-800G-TR		x		15	D <sup>2</sup> PAK
TN1215-800H		x		15	IPAK

# 1 Characteristics

**Table 2. Absolute ratings (limiting values)**

Symbol	Parameter			Value		Unit
				TN1215-x00B TN1215-x00H (1) (2)	TN1215-x00G <sup>(1)(2)</sup> TYNx12 <sup>(2)(3)</sup> TYNx12T <sup>(2)(3)</sup>	
$I_{T(RMS)}$	On-state RMS current (180° conduction angle)	TO-220AB ins. D <sup>2</sup> PAK	$T_C = 110\text{ °C}$	12		A
$I_{T(AV)}$	Average on-state current (180° conduction angle)	DPAK IPAK		8		
$I_{TSM}$	Non repetitive surge peak on-state current	$t_p = 8.3\text{ ms}$	$T_{jinitial} = 25\text{ °C}$	115	145	A
		$t_p = 10\text{ ms}$		110	140	
$i^2t$	$i^2t$ value for fusing		$T_{jinitial} = 25\text{ °C}$	60	98	A <sup>2</sup> S
$di/dt$	Critical rate of rise of on- state current $I_G = 2 \times I_{GT}, t_r \leq 100\text{ ns}$	F = 60 Hz	$T_j = 125\text{ °C}$	50		A/ $\mu$ s
$I_{GM}$	Peak gate current	$t_p = 20\text{ }\mu$ s	$T_j = 125\text{ °C}$	4		A
$P_{G(AV)}$	Average gate power dissipation		$T_j = 125\text{ °C}$	1		W
$T_{stg}$ $T_j$	Storage junction temperature range Operating junction temperature range			- 40 to + 150 - 40 to + 125		°C
$V_{RGM}$	Maximum peak reverse gate voltage			5		V

1. x00= 600, 800
2. Check [Table 1](#) for devices availability
3. x= 6,8,10

**Table 3. Standard electrical characteristics (T<sub>j</sub> = 25 °C, unless otherwise specified)**

Symbol	Test conditions		TN1215-x00 <sup>(1)(2)</sup>		TYN <sup>(2)</sup>		Unit	
			-B/-H	-G	x12T <sup>(3)</sup>	x12 <sup>(3)</sup>		
I <sub>GT</sub>	V <sub>D</sub> = 12 V, R <sub>L</sub> = 33 Ω		Min.	2		0.5	2	mA
			Max.	15		5	15	
V <sub>GT</sub>			Max.	1.3			V	
V <sub>GD</sub>	V <sub>D</sub> = V <sub>DRM</sub> , R <sub>L</sub> = 3.3 kΩ	T <sub>j</sub> = 125 °C	Min.	0.2			V	
I <sub>H</sub>	I <sub>T</sub> = 500 mA, gate open		Max.	40	30	15	30	mA
I <sub>L</sub>	I <sub>G</sub> = 1.2 I <sub>GT</sub>		Max.	80	60	30	60	mA
dV/dt	V <sub>D</sub> = 67% V <sub>DRM</sub> , gate open	T <sub>j</sub> = 125 °C	Min.	200		40	200	V/μs
V <sub>TM</sub>	I <sub>TM</sub> = 24 A t <sub>p</sub> = 380 μs	T <sub>j</sub> = 25 °C	Max.	1.6			V	
V <sub>to</sub>	Threshold voltage		Max.	0.85			V	
R <sub>d</sub>	Dynamic resistance		Max.	30			mΩ	
I <sub>DRM</sub> I <sub>RRM</sub>	V <sub>D</sub> = V <sub>R</sub> = V <sub>DRM</sub> = V <sub>RRM</sub>		T <sub>j</sub> = 25 °C	Max.			5	μA
			T <sub>j</sub> = 125 °C				2	mA

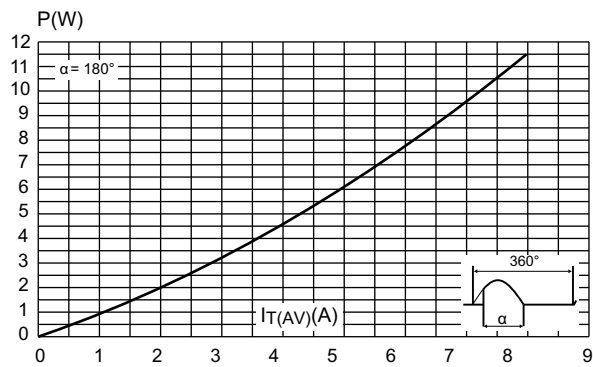
1. x00= 600, 800
2. Check [Table 1](#) for devices availability
3. x= 6,8,10

**Table 4. Thermal resistance**

Symbol	Parameter		Value	Unit	
R <sub>th(j-c)</sub>	Junction to case (DC)		D <sup>2</sup> PAK, DPAK, IPAK, TO-220AB	1.3 °C/W	
R <sub>th(j-a)</sub>	Junction to ambient (DC)	S <sup>(1)</sup> = 0.5 cm <sup>2</sup>	DPAK	70	°C/W
		S <sup>(1)</sup> = 1.0 cm <sup>2</sup>	D <sup>2</sup> PAK	45	
			IPAK	100	
			TO-220AB	60	

1. S = Copper surface under tab

**Figure 1. Maximum average power dissipation versus average on-state current**



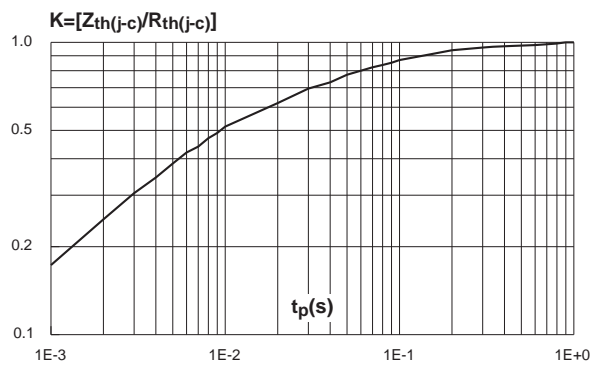
**Figure 2. Average and DC on-state current versus case temperature**



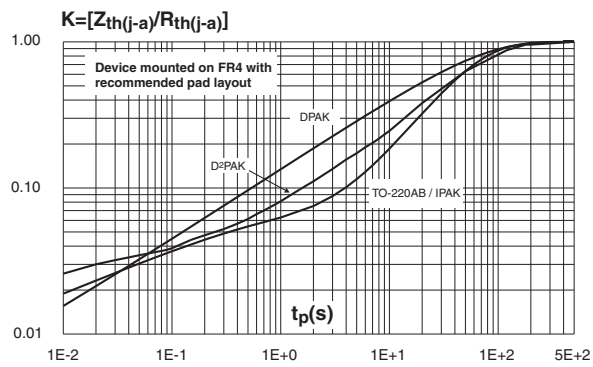
**Figure 3. Average and DC on-state current versus ambient temperature (DPAK, D<sup>2</sup>PAK)**



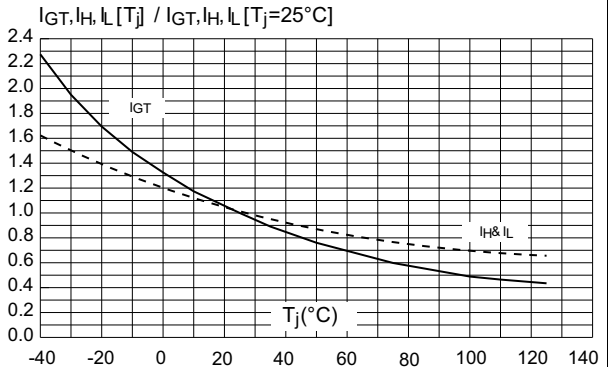
**Figure 4. Relative variation of thermal impedance junction to case versus pulse duration**



**Figure 5. Relative variation of thermal impedance junction to ambient versus pulse duration**



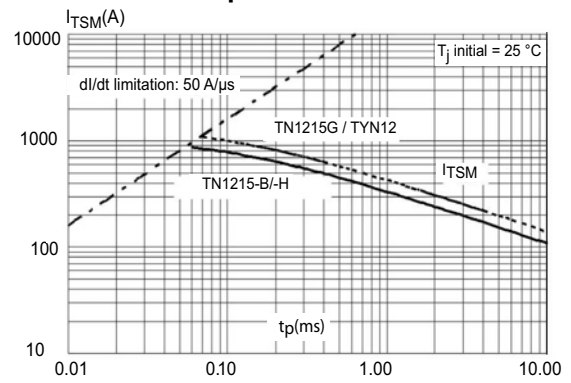
**Figure 6. Relative variation of gate trigger, latching and holding current versus junction temperature**



**Figure 7. Surge peak on-state current versus number of cycles**



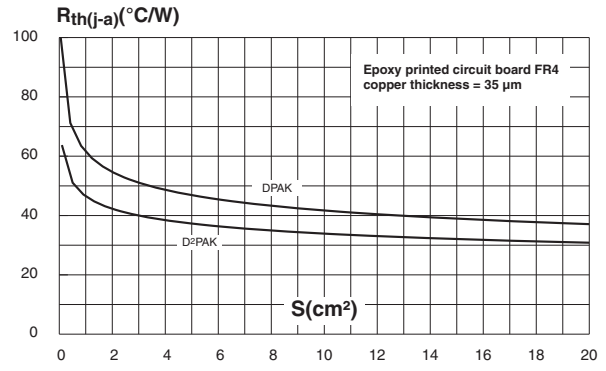
**Figure 8. Non repetitive surge peak on-state current for a sinusoidal pulse with width  $t_p < 10ms$**



**Figure 9. On-state characteristics (maximum values)**



**Figure 10. Thermal resistance junction to ambient versus copper surface under tab (DPAK and D<sup>2</sup>PAK)**



## 2 Package information

- Halogen free molding resin
- Epoxy meets UL94, V0
- Lead-free packages
- Recommended torque: 0.4 to 0.6 N·m (TO-220AB)

In order to meet environmental requirements, ST offers these devices in different grades of ECOPACK® packages, depending on their level of environmental compliance. ECOPACK® specifications, grade definitions and product status are available at: [www.st.com](http://www.st.com). ECOPACK® is an ST trademark.

### 2.1 DPAK package information

Figure 11. DPAK package outline



Note: This package drawing may slightly differ from the physical package. However, all the specified dimensions are guaranteed.

Table 5. DPAK package mechanical data

Ref.	Dimensions					
	Millimeters			Inches <sup>(1)</sup>		
	Min.	Typ.	Max.	Min.	Typ.	Max.
A	2.18		2.40	0.0858		0.0945
A1	0.9		1.10	0.0354		0.0433
A2	0.03		0.23	0.0012		0.0091
b	0.64		0.90	0.0252		0.0354
b4	4.95		5.46	0.1949		0.2150
c	0.46		0.61	0.0181		0.0236
c2	0.46		0.60	0.0181		0.0236
D	5.97		6.22	0.2350		0.2449
D1	4.95		5.60	0.1949		0.2205
E	6.35		6.73	0.2500		0.2650
E1	4.32		5.50	0.1701		0.2165
e		2.286			0.0900	
e1	4.40		4.70	0.1732		0.1850
H	9.35		10.40	0.3681		0.4094
L	1.0		1.78	0.0394		0.0701
L2			1.27			0.0500
L4	0.6		1.02	0.0236		0.0402
V2	-8°		+8°	-8°		+8°

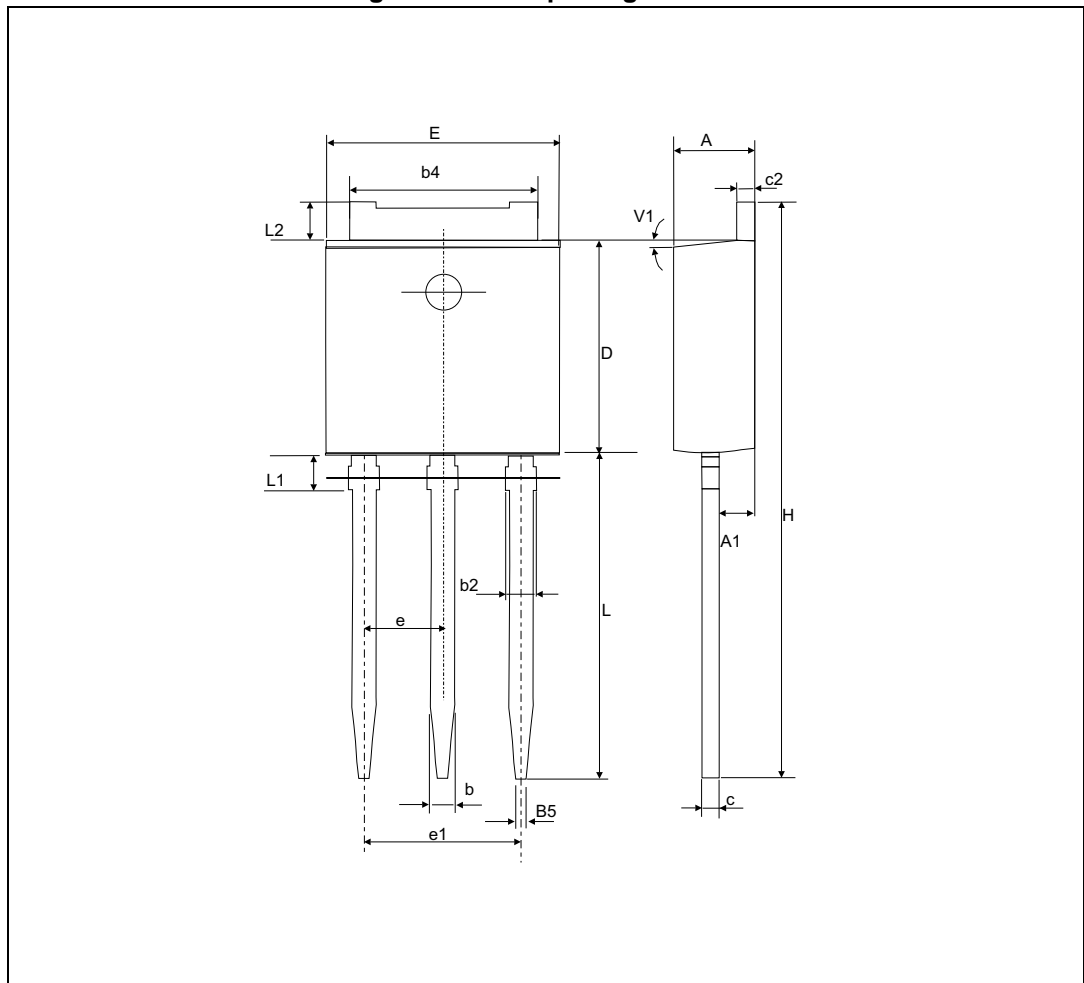
1. Inches only for reference.

Figure 12. Footprint (dimensions in mm)



## 2.2 IPAK package information

Figure 13. IPAK package outline



Note: This package drawing may slightly differ from the physical package. However, all the specified dimensions are guaranteed.



Table 6. IPAK package mechanical data

Ref.	Dimensions					
	Millimeters			Inches <sup>(1)</sup>		
	Min.	Typ.	Max.	Min.	Typ.	Max.
A	2.20		2.40	0.0866		0.0945
A1	0.90		1.10	0.0354		0.0433
b	0.64		0.90	0.0252		0.0354
b2			0.95			0.0374
b4	5.20		5.43	0.2047		0.2138
B5		0.30			0.0118	
c	0.45		0.60	0.0177		0.0236
c2	0.46		0.60	0.0181		0.0236
D	6.00		6.20	0.2362		0.2441
E	6.40		6.65	0.2520		0.2618
e		2.28			0.0898	
e1	4.40		4.60	0.1732		0.1811
H		16.10			0.6339	
L	9.00		9.60	0.3543		0.3780
L1	0.80		1.20	0.0315		0.0472
L2		0.80	1.25		0.0315	0.0492
V1		10°			10°	

1. Inches dimensions given only for reference.

### 2.3 TO-220AB package information

Figure 14. TO-220AB package outline



Table 7. TO-220AB package mechanical data

Ref.	Dimensions					
	Millimeters			Inches <sup>(1)</sup>		
	Min.	Typ.	Max.	Min.	Typ.	Max.
A	15.2		15.9	0.5984		0.6260
a1		3.75			0.1476	
a2	13		14	0.5118		0.5512
B	10		10.4	0.3937		0.4094
b1	0.61		0.88	0.0240		0.0346
b2	1.23		1.32	0.0484		0.0520
C	4.4		4.6	0.1732		0.1811
c1	0.49		0.7	0.0193		0.0276
c2	2.4		2.72	0.0945		0.1071
e	2.40		2.70	0.0945		0.1063
F	6.2		6.6	0.2441		0.2598
I	3.73		3.88	0.1469		0.1528
L	2.65		2.95	0.1043		0.1161
I2	1.14		1.7	0.0449		0.0669
I3	1.14		1.7	0.0449		0.0669
I4	15.8	16.4	16.8	0.6220	0.6457	0.6614
M		2.6			0.1024	

1. Inches dimensions given only for reference.

## 2.4 D<sup>2</sup>PAK package information

Figure 15. D<sup>2</sup>PAK package outline



Table 8. D<sup>2</sup>PAK package mechanical data

Ref.	Dimensions					
	Millimeters			Inches <sup>(1)</sup>		
	Min.	Typ.	Max.	Min.	Typ.	Max.
A	4.30		4.60	0.1693		0.1811
A1	2.49		2.69	0.0980		0.1059
A2	0.03		0.23	0.0012		0.0091
B	0.70		0.93	0.0276		0.0366
B2	1.25	1.40		0.0492	0.0551	
C	0.45		0.60	0.0177		0.0236
C2	1.21		1.36	0.0476		0.0535
D	8.95		9.35	0.3524		0.3681
D1	7.50		8.0	0.2953		0.3150
D2	1.3		1.7	0.0512		0.0669
E	10.00		10.28	0.3937		0.4047
E1	8.3		8.7	0.3268		0.3425
E2	6.85		7.25	0.2697		0.2854
G	4.88		5.28	0.1921		0.2079
L	15.00		15.85	0.5906		0.6240
L2	1.27		1.40	0.0500		0.0551
L3	1.40		1.75	0.0551		0.0689
R	0.40			0.0157		
V2	0°		8°	0°		8°

1. Inches dimensions given only for reference.

Figure 16. Footprint (dimensions in mm)



### 3 Ordering information

Figure 17. TN1215 series

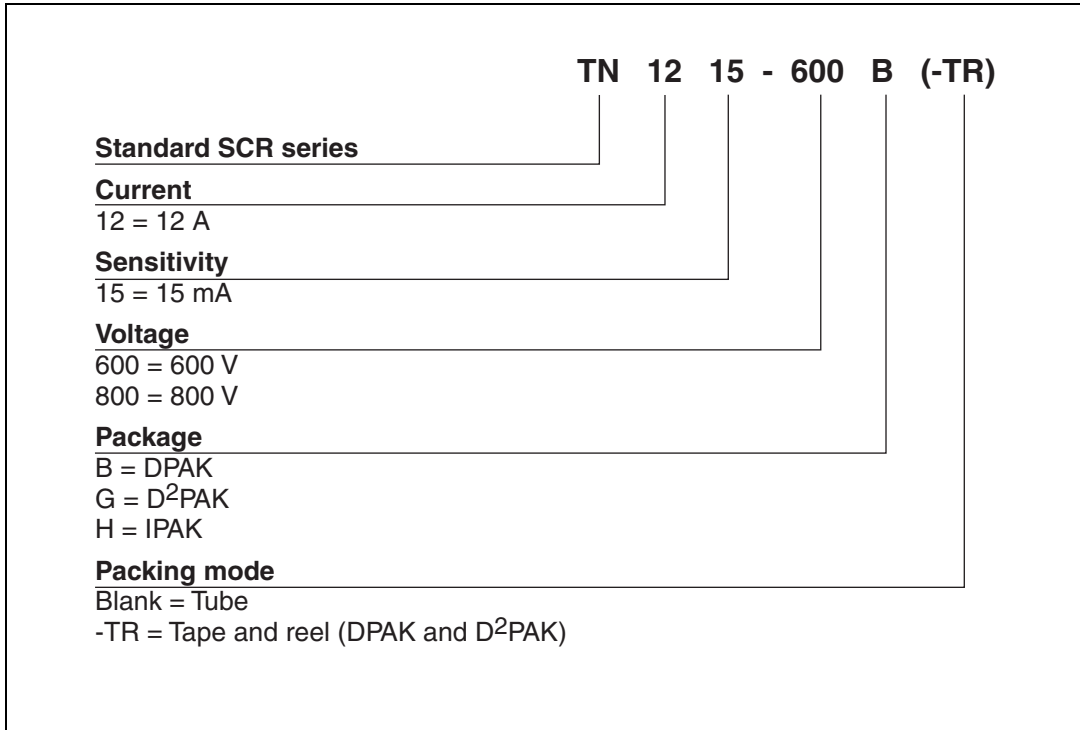


Figure 18. TYNx12 series

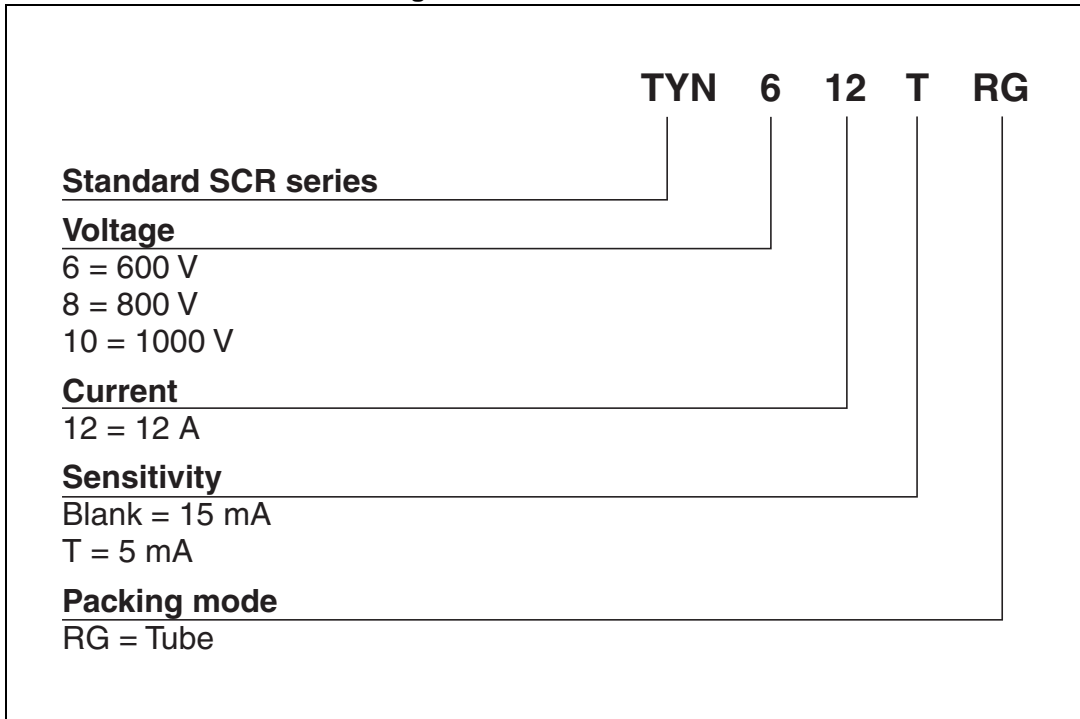


Table 9. Ordering information

Order code	Voltage $V_{DRM} / V_{RRM}$ (V)			$I_{GT}$ (mA)	Package	Weight (g)	Base qty. (pc)	Delivery mode
	600	800	1000					
TYN1012RG			x	15	TO-220AB	2.3	50	Tube
TYN1012TRG			x	5	TO-220AB	2.3	50	Tube
TYN612RG	x			15	TO-220AB	2.3	50	Tube
TYN612TRG	x			5	TO-220AB	2.3	50	Tube
TYN812RG		x		15	TO-220AB	2.3	50	Tube
TYN812TRG		x		5	TO-220AB	2.3	50	Tube
TN1215-600B	x			15	DPAK	0.3	75	Tube
TN1215-600B-TR	x			15	DPAK	0.3	2500	Tape and reel
TN1215-600G	x			15	D <sup>2</sup> PAK	1.5	50	Tube
TN1215-600G-TR	x			15	D <sup>2</sup> PAK	1.5	1000	Tape and reel
TN1215-600H	x			15	I <sup>2</sup> PAK	0.3	75	Tube
TN1215-800B-TR		x		15	DPAK	0.3	2500	Tape and reel
TN1215-800G-TR		x		15	D <sup>2</sup> PAK	1.5	1000	Tape and reel
TN1215-800H		x		15	I <sup>2</sup> PAK	0.3	75	Tube

## 4 Revision history

**Table 10. Document revision history**

Date	Revision	Changes
Sep-2000	3	Last update.
25-Mar-2005	4	TO-220AB delivery mode changed from bulk to tube.
14-Oct-2005	5	Changed sensitivity values in <i>Table 1</i> for TYNx12 (30 to 15 mA) and TYNx12T (15 to 5 mA). Added ECOPACK statement.
08-Mar-2007	6	Reformatted to current standard. <i>Figure 17: TN1215 series product name corrected.</i> <i>Figure 23: TS1220 series product name corrected.</i>
23-Oct-2009	7	Added TS1220-xxxT device.
03-Jun-2014	8	Updated DPAK and IPAK package information and reformatted to current standard.
25-Feb-2015	9	The part number TS1220 series has been moved to a separate document. Removed TO-220AB insulated package information.
29-Jul-2015	10	Updated <i>Figure 11</i> .
05-Oct-2016	11	Updated <a href="#">Section 2: Package information</a> . Minor text changes.



**IMPORTANT NOTICE – PLEASE READ CAREFULLY**

STMicroelectronics NV and its subsidiaries (“ST”) reserve the right to make changes, corrections, enhancements, modifications, and improvements to ST products and/or to this document at any time without notice. Purchasers should obtain the latest relevant information on ST products before placing orders. ST products are sold pursuant to ST’s terms and conditions of sale in place at the time of order acknowledgement.

Purchasers are solely responsible for the choice, selection, and use of ST products and ST assumes no liability for application assistance or the design of Purchasers’ products.

No license, express or implied, to any intellectual property right is granted by ST herein.

Resale of ST products with provisions different from the information set forth herein shall void any warranty granted by ST for such product.

ST and the ST logo are trademarks of ST. All other product or service names are the property of their respective owners.

Information in this document supersedes and replaces information previously supplied in any prior versions of this document.

© 2016 STMicroelectronics – All rights reserved

