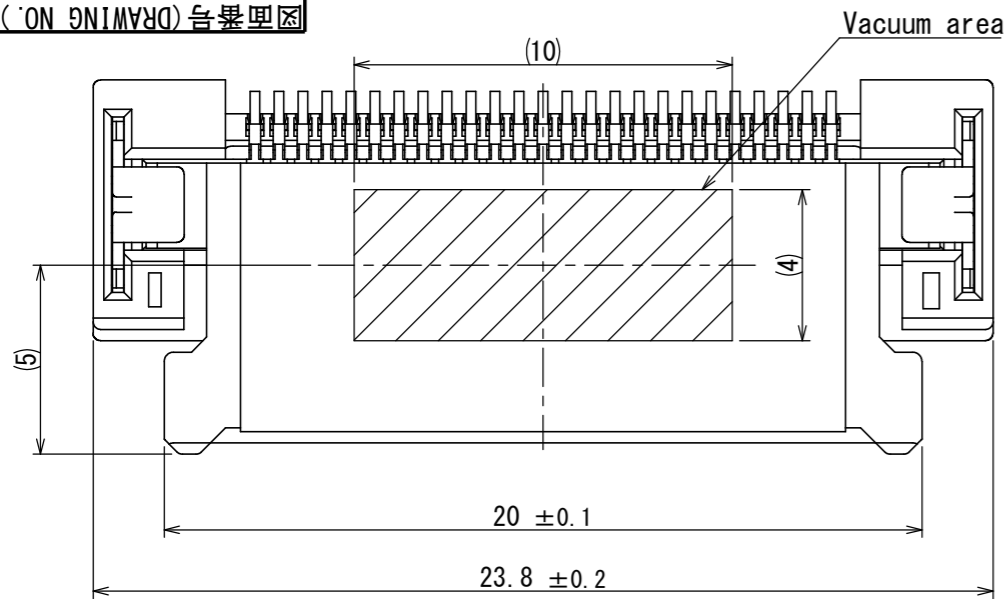


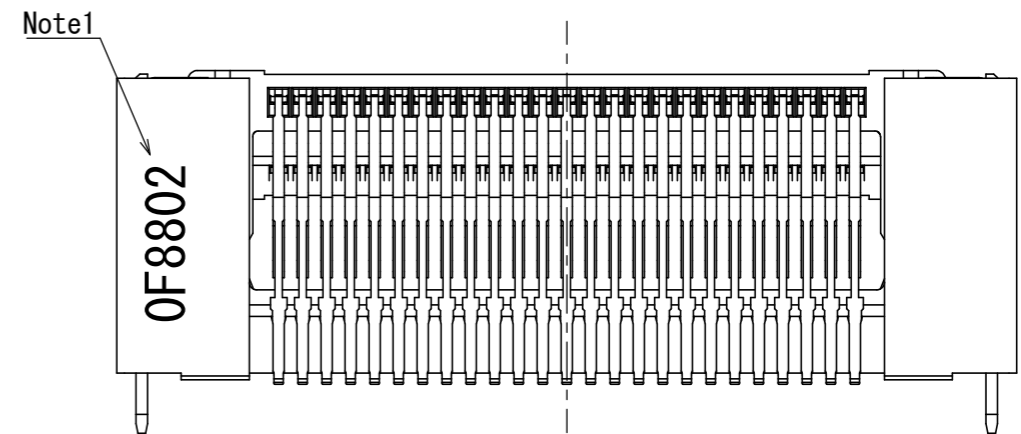
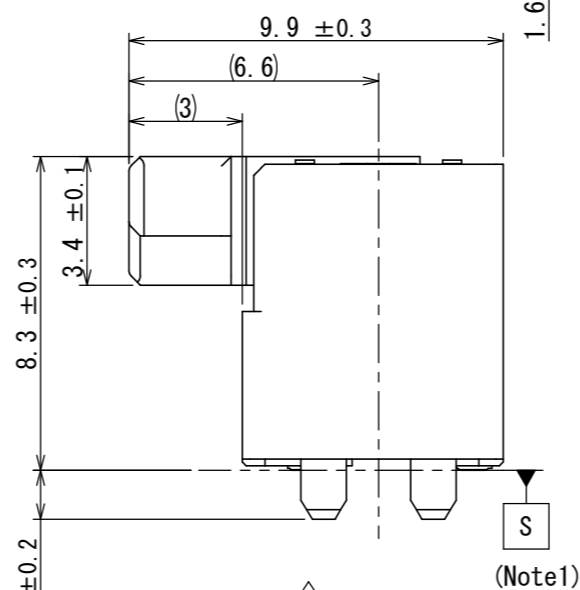
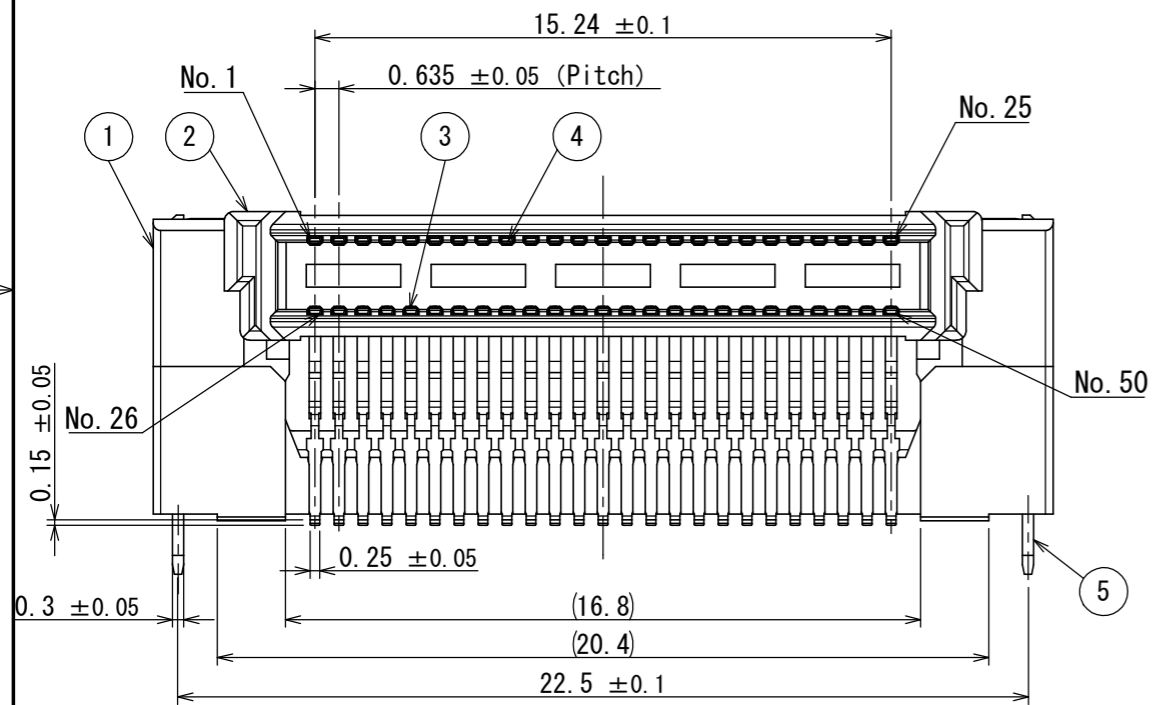
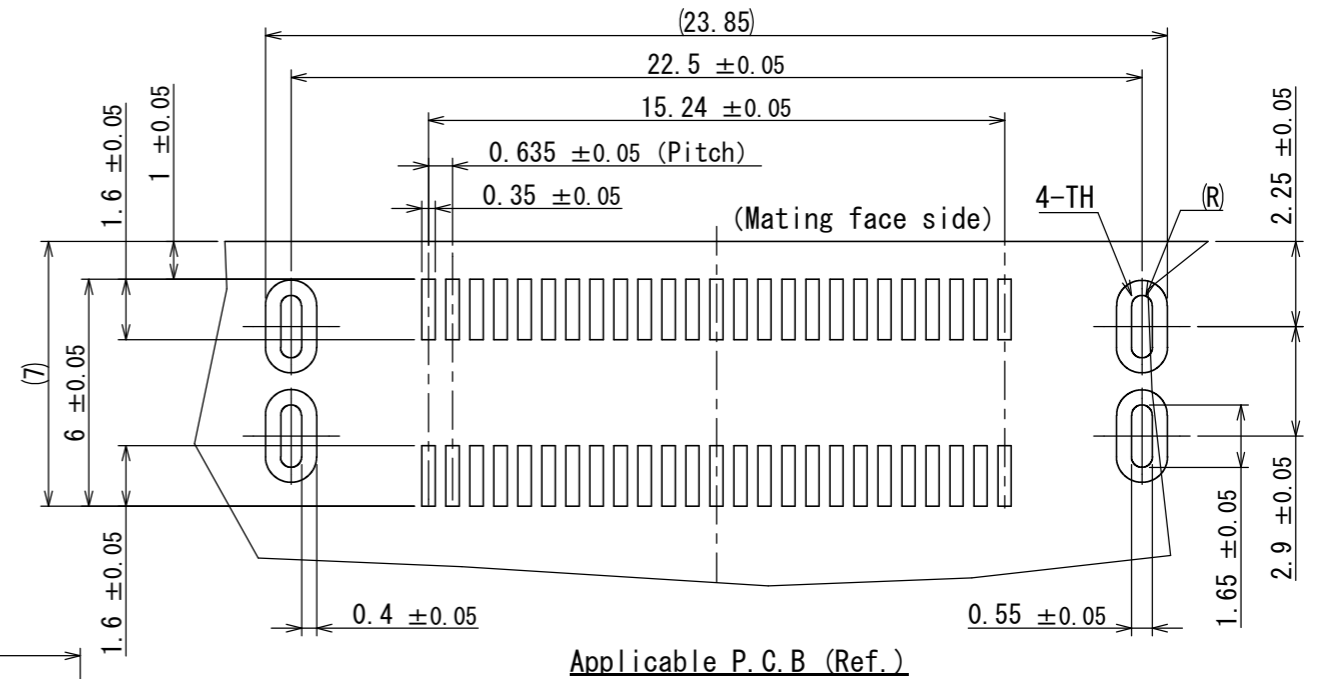
SJ120395
(ON DRAWING NO.)

版数 VER.	年月日 DATE	CN NO.	変更内容 DESCRIPTION	製図 DR.	担当 CHK.	査閲 APPD.	承認 APPD.
2	15/OCT/2019	031719	Changed SPECIFICATION No.		K. SHIMOJI	—	H. OBIKANE
3	30/OCT/2019	031900	Changed the notation of materials.		K. SHIMOJI	—	H. OBIKANE

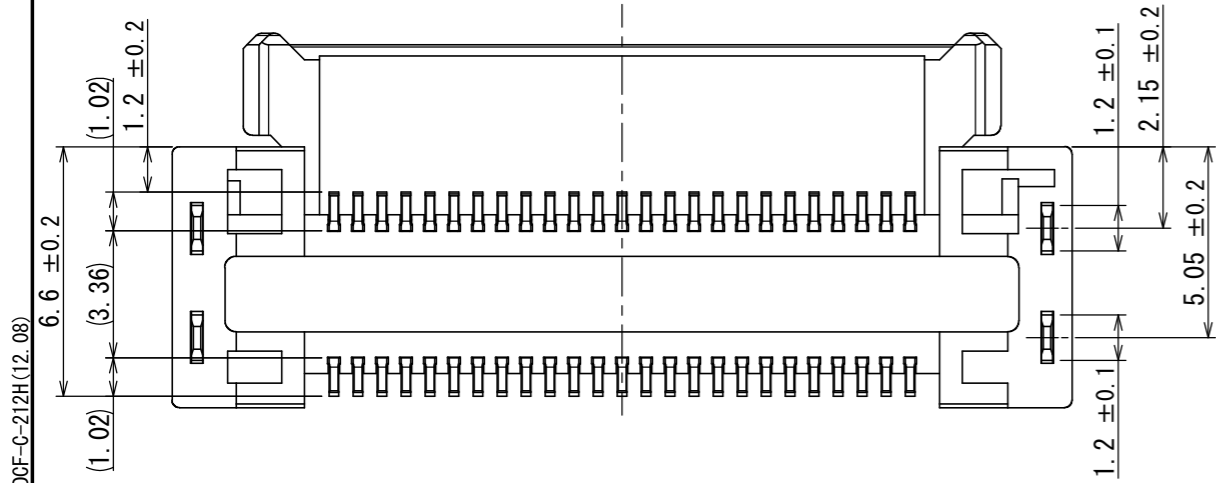


Note1. The datum S is on the base of surface board.
Note2. Production lot number are marked as indicated.

Ex.) O F 8 8 0 2
 Manufacturing code
 Day
 Month (1~9, 0, X, Y)
 Year (Last digit only)

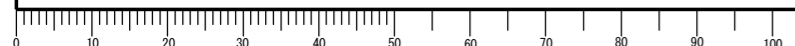


符号 NO.	名称 DESCRIPTION	個数 QTY.	材料 MATERIAL	仕上 FINISH	備考 REMARKS
5	HOLD DOWN	2	COPPER ALLOY	TIN PLATING OVER NICKEL	
4	CONTACT (Upper stage)	25	COPPER ALLOY	Contact: GOLD OVER NICKEL Terminal: GOLD-FLASH OVER NICKEL	
3	CONTACT (Lower stage)	25	COPPER ALLOY	Contact: GOLD OVER NICKEL Terminal: GOLD-FLASH OVER NICKEL	
2	INSULATOR (Upper stage)	1	LCP	—	
1	INSULATOR (Lower stage)	1	LCP	—	



仕様書 (SPECIFICATION) JACS-11239-*		第1版 (ORIGINAL DATE) 02/AUG/2018		尺度 (SCALE) 5:1		シリーズ (SERIES) AX03		日本航空電子工業株式会社	
一般公差 (GENERAL TOLERANCE)		製図 DR.		名称 (TITLE) AX03F050HAX1		JAE		JAPAN AVIATION ELECTRONICS INDUSTRY, LTD.	
寸法 (DIMENSION)		担当 CHK. K. SHIMOJI		質量 (MASS)		図面番号 (DRAWING NO.) SJ120395		版数 (VER.) 3	
角度 (ANGLES)		査閲 APPD. —		承認 APPD. A. KIMURA		WISDOM承認		2019/11/06	
単位 (UNIT) : mm		承認 APPD. —		承認 APPD. —		承認 APPD. —		承認 APPD. —	

DCF-C-212H(12.08)



Mouser Electronics

Authorized Distributor

Click to View Pricing, Inventory, Delivery & Lifecycle Information:

[JAE Electronics:](#)

[AX03F050HAX1R550](#)