



## SPECIFICATION FOR APPROVAL

**CUSTOMER:** Chip

**EVERCOOL MODEL NO:** EC6015TH12SA

**CUSTOMER MODEL NO:** EC6015TH12SA

**DESCRIPTION:** DC12V FAN

<b>APPROVED BY (AUTHORISED)</b>	<b>APPROVED</b>
	<b>Alex</b>
	<b>CHECKED</b>
	<b>Guoruihua</b>
	<b>DRAWN</b>
	<b>Libingbing</b>
	<b>SALES</b>
	<b>Teddy</b>

\* Please confirm your acceptance by return fax or mail.

<b>SPEC NO</b>	<b>ISSUE DATE</b>	<b>EDITION</b>	<b>REVISED DATE</b>
20160216A02	2016/2/16	A0	2016/2/16

THE PRODUCTION ACCORD WITH EUROPE UNION ROHS STANDARD

**EVERCOOL THERMAL CO., LTD**

**NO. 123-8, HSING DE RD., SAN-CHUNG CITY,**

**TAIPEI HSIEN, TAIWAN, R.O.C.**

**TEL: 886-2-8512-2889 FAX: 886-2-8512-2890**

**[URL:www.evercool.com.tw](http://www.evercool.com.tw)**

**[EMAIL: coolest@ms14.hinet.net](mailto:coolest@ms14.hinet.net)**

## I. GENERAL SPECIFICATION

Item	Specification
1.Part NO.	EC6015TH12SA
2.Outline Dimension	60*60*15
3.Rated Voltage	12 VDC
4.Starting Voltage	7 VDC
5.Operating Voltage Range	7 VDC~ 13.8 VDC
6.Rated Current*	0.21 A(Max)
7.Rated Power Consumption*	2.52 W
8.Rated Speed*	5500 RPM $\pm$ 15%
9.Max. Airflow**	20.73 CFM(ft3/min)
10.Max. Static Pressure**	0.2 In-H2O
11.Noise Level***	<39 dB(A)
12.Life Expectancy	25000 hrs at 25°C
13.No of Polarity	4 Poles
14.Direction of Rotation	Counter-Clockwise

**Noted:**

**\*Input Current Speed Power Consumption**

Measured after continuous 30 minutes operation at rated voltage in free air at ambient temperature of 25 °C, 65% relative humidity

**\*\*Performance**

Measured with use of double chamber. The value are recorded when the fan speed is stabilized at rated voltage.

**\*\*\*Noise Level**

Measured at rated voltage in a semi-anechoic chamber with background noise below than 17 dB(A). The measuring distance is in one meter from microphone to inlet of the fan.

## II. ELECTRICAL SPECIFICATION

Item		Specification
1.Polarity Protection	✓ YES	Be capable of endurance when Vcc & GRD are exchanged
	NO	
2.Auto restart	YES	Locked motor protection
	✓ NO	
3.Insulation Resistance		10MΩ/b/w unshielded wire and frame at 500 VDC/min
4.Dielectric Strength		5Ma Max./Measured b/w lead wire and frame at 500VAC/min

## III. MAIN MATERIALS / PARTS SPECIFICATION

Item		Specification				
1.Materials of Frame		Thermoplastic PBT of UL 94V-0(BK)				
2.Materials of Fan Blade						
3.Bobbin						
4.Bearing		Dual ball bearing				
		1 ball & 1 sleeve bearing				
	✓	Sleeve bearing				
		EL bearing				
5.Lead wire	✓	Red (+)	UL#	1007	26	AWG
	✓	Black (-)	UL#	1007	26	AWG
	✓	Yellow(FG)	UL#	1007	26	AWG
				---		
6.Connector		2510 3P				

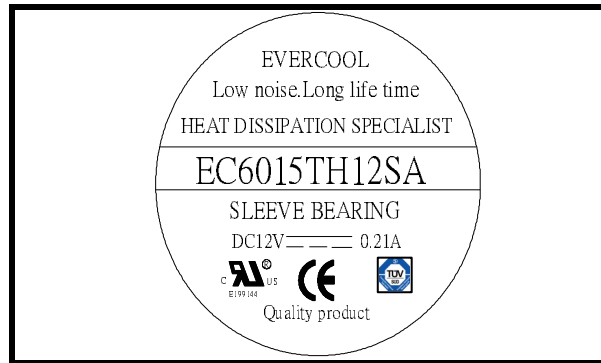
## IV. ENVIRONMENT SPECIFICATION

Item	Specification
1.Operation Temperature	-10℃ ~+70℃/66%(RH), high / low temperature test for 24 hours, temperature change: 30℃ /hours.
2.Storage Temperature	-40℃ ~+70℃/66%(RH), high / low temperature test for 24 hours, temperature change: 30℃ /hours.

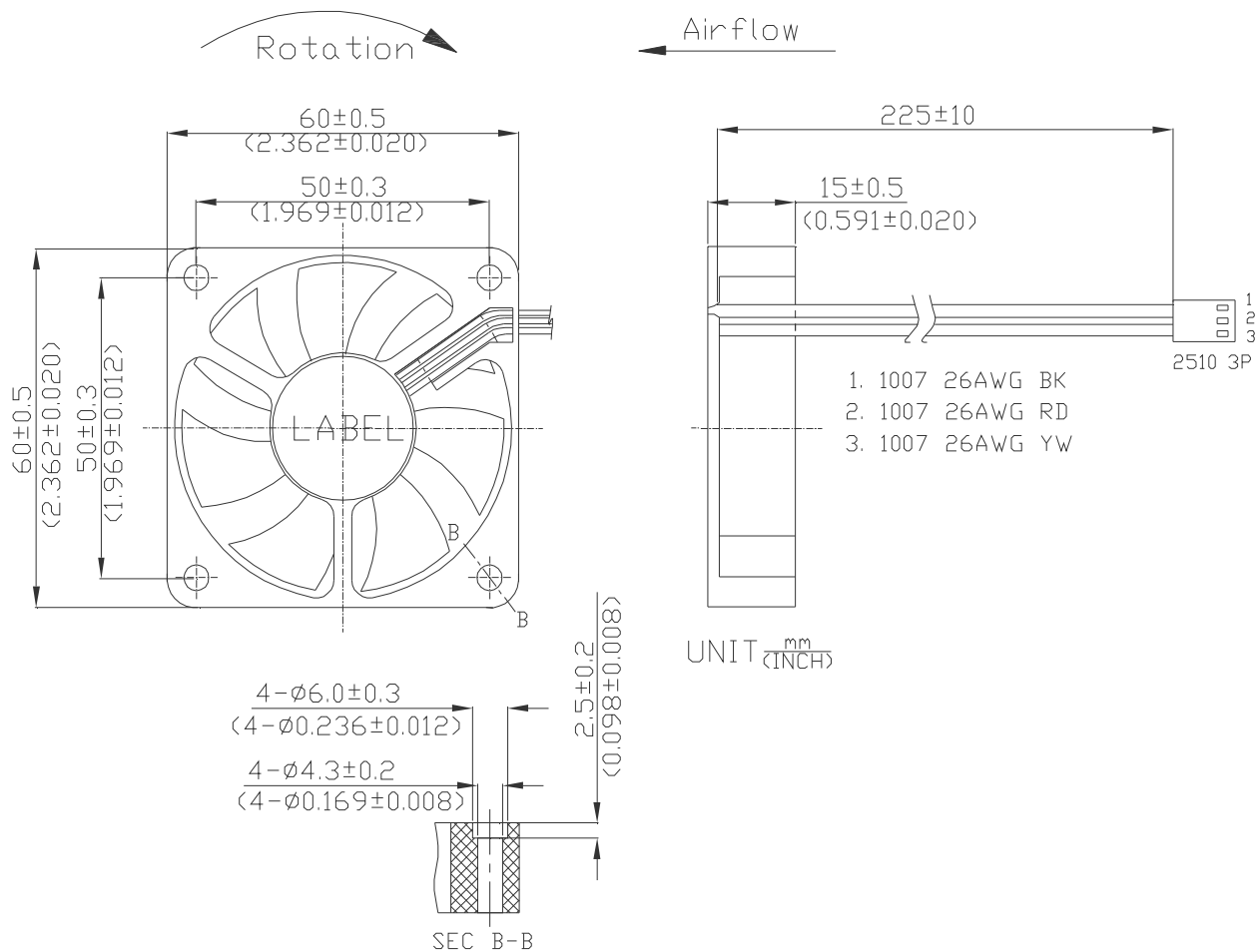
## V. DROPPING TEST

Prepared in minimum packing condition, fan will withstand one drop each on three surfaces from 30 cm height onto a 10mm thick hard wooden board.

## VI. LABEL MARKING

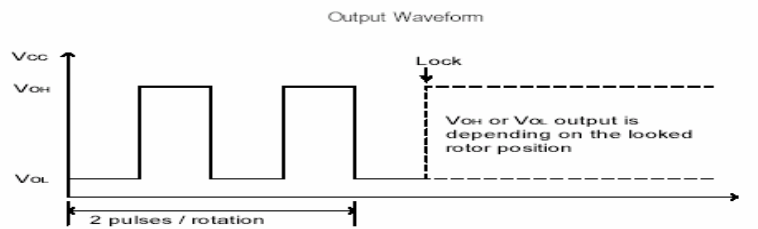
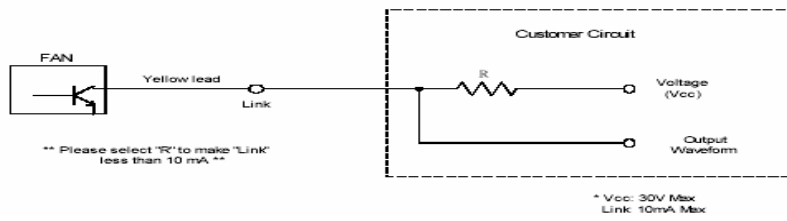


## VII. OUTLINE DIMENSION

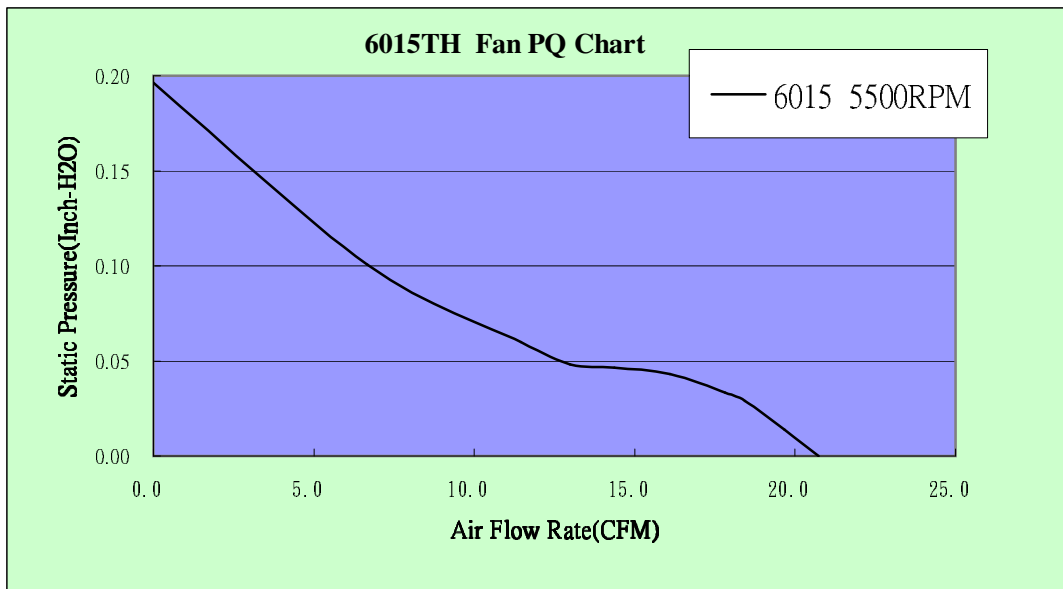


## VIII. Sensor Circuit System

Speed Sensor / Tachometer ( FG/F )



## IX. P/Q Performance



	Q(cfm)	Ps(InchH2o)
1	0.000	0.196
2	6.657	0.101
3	11.457	0.060
4	12.982	0.048
5	14.367	0.046
6	16.106	0.043
7	17.827	0.033
8	18.428	0.029
9	19.682	0.014
10	20.734	0.000