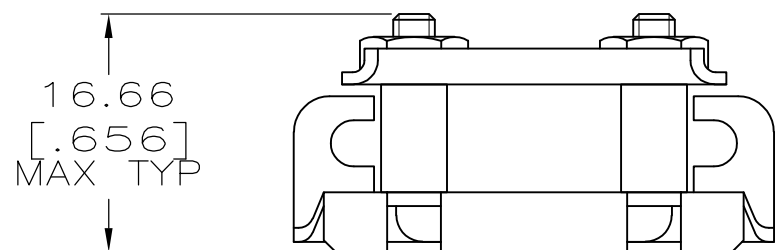


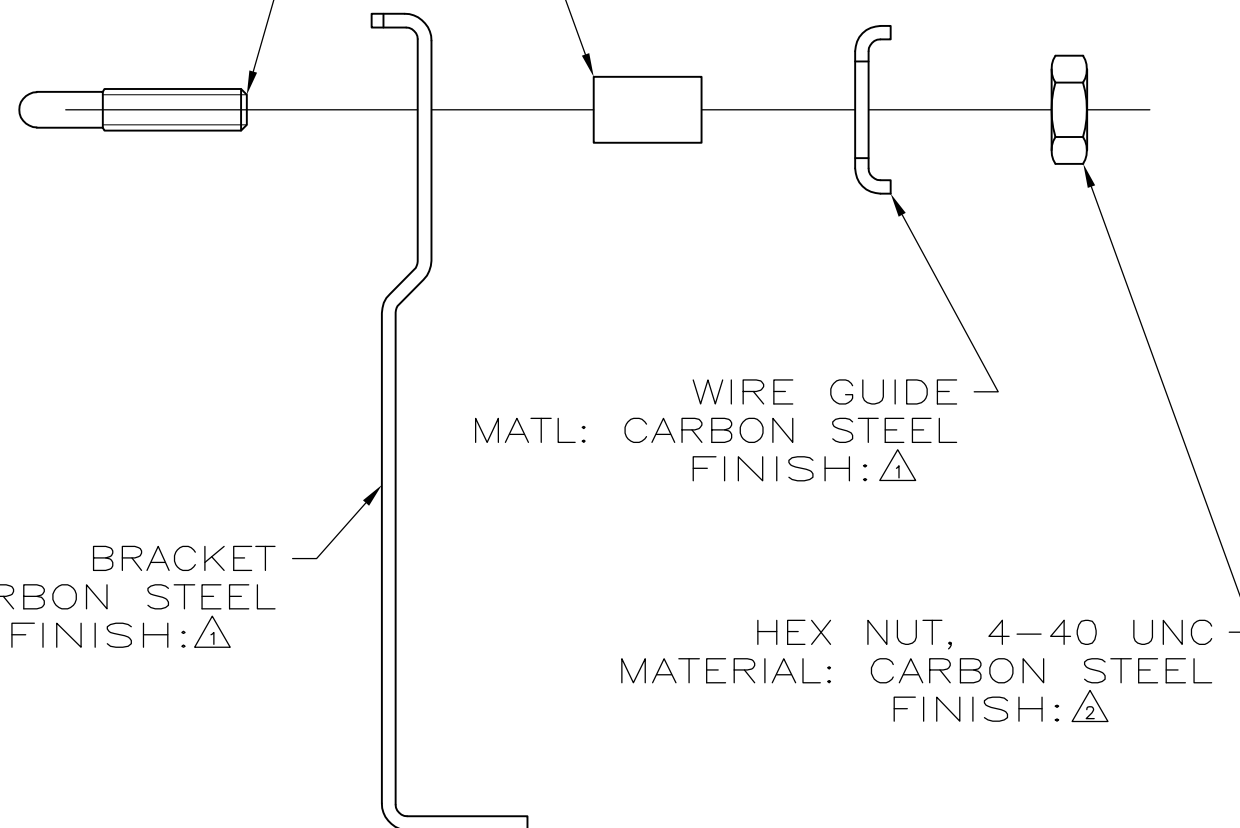
THIS DRAWING IS UNPUBLISHED. RELEASED FOR PUBLICATION  
 © COPYRIGHT BY TYCO ELECTRONICS CORPORATION. ALL RIGHTS RESERVED.

LOC	DIST	REVISIONS			
P	LTR	DESCRIPTION	DATE	DWN	APVD
FT	0	G	REVISED PER ECO-08-031035	15DEC08	HMR GS



U BOLT  
 MATL: STAINLESS STEEL  
 FINISH: PASSIVATED

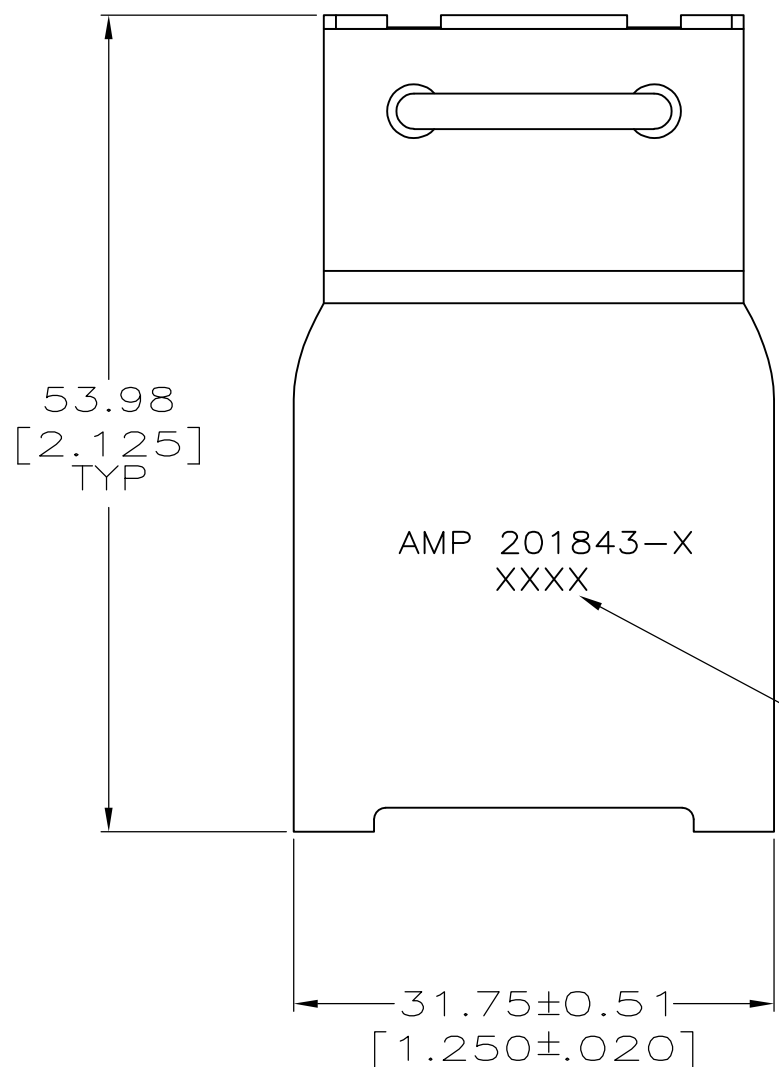
PROTECTIVE SLEEVE  
 MATERIAL: POLYVINYL CHLORIDE  
 2 EA



BRACKET  
 MATERIAL: CARBON STEEL  
 FINISH:  $\Delta$

WIRE GUIDE  
 MATL: CARBON STEEL  
 FINISH:  $\Delta$

HEX NUT, 4-40 UNC  
 MATERIAL: CARBON STEEL  
 FINISH:  $\Delta$



ASSEMBLED VIEW

- $\Delta$  1 5.08um[.000200] MIN NICKEL.
- $\Delta$  2 ZINC PLATE.

201843-3
201843-1
PART NUMBER

THIS DRAWING IS A CONTROLLED DOCUMENT.		DWN C.REIFSNYDER 23 APR 96	Tyco Electronics Corporation Harrisburg, Pa 17105-3608													
DIMENSIONS: mm [INCHES]		CHK R.STONE 24 MAY 96	NAME													
TOLERANCES UNLESS OTHERWISE SPECIFIED:		APVD G. STEINHAUER 21 JUN 96	CLAMP KIT, UNASSEMBLED, STRAIN RELIEF, 14 PLACE, M SERIES													
<table border="0"> <tr> <td>0 PLC</td> <td>± -</td> </tr> <tr> <td>1 PLC</td> <td>± -</td> </tr> <tr> <td>2 PLC</td> <td>± 0.13 [.005]</td> </tr> <tr> <td>3 PLC</td> <td>± -</td> </tr> <tr> <td>4 PLC</td> <td>± -</td> </tr> <tr> <td>ANGLES</td> <td>± -</td> </tr> </table>		0 PLC	± -	1 PLC	± -	2 PLC	± 0.13 [.005]	3 PLC	± -	4 PLC	± -	ANGLES	± -	PRODUCT SPEC -	SIZE A3	CAGE CODE 00779
0 PLC	± -															
1 PLC	± -															
2 PLC	± 0.13 [.005]															
3 PLC	± -															
4 PLC	± -															
ANGLES	± -															
MATERIAL SEE CALLOUTS	FINISH SEE CALLOUTS	APPLICATION SPEC -	DRAWING NO G-201843	RESTRICTED TO -												
CUSTOMER DRAWING			SCALE 2:1	SHEET 1 OF 1												
			REV G													

# Mouser Electronics

Authorized Distributor

Click to View Pricing, Inventory, Delivery & Lifecycle Information:

[TE Connectivity:](#)

[201843-1](#)