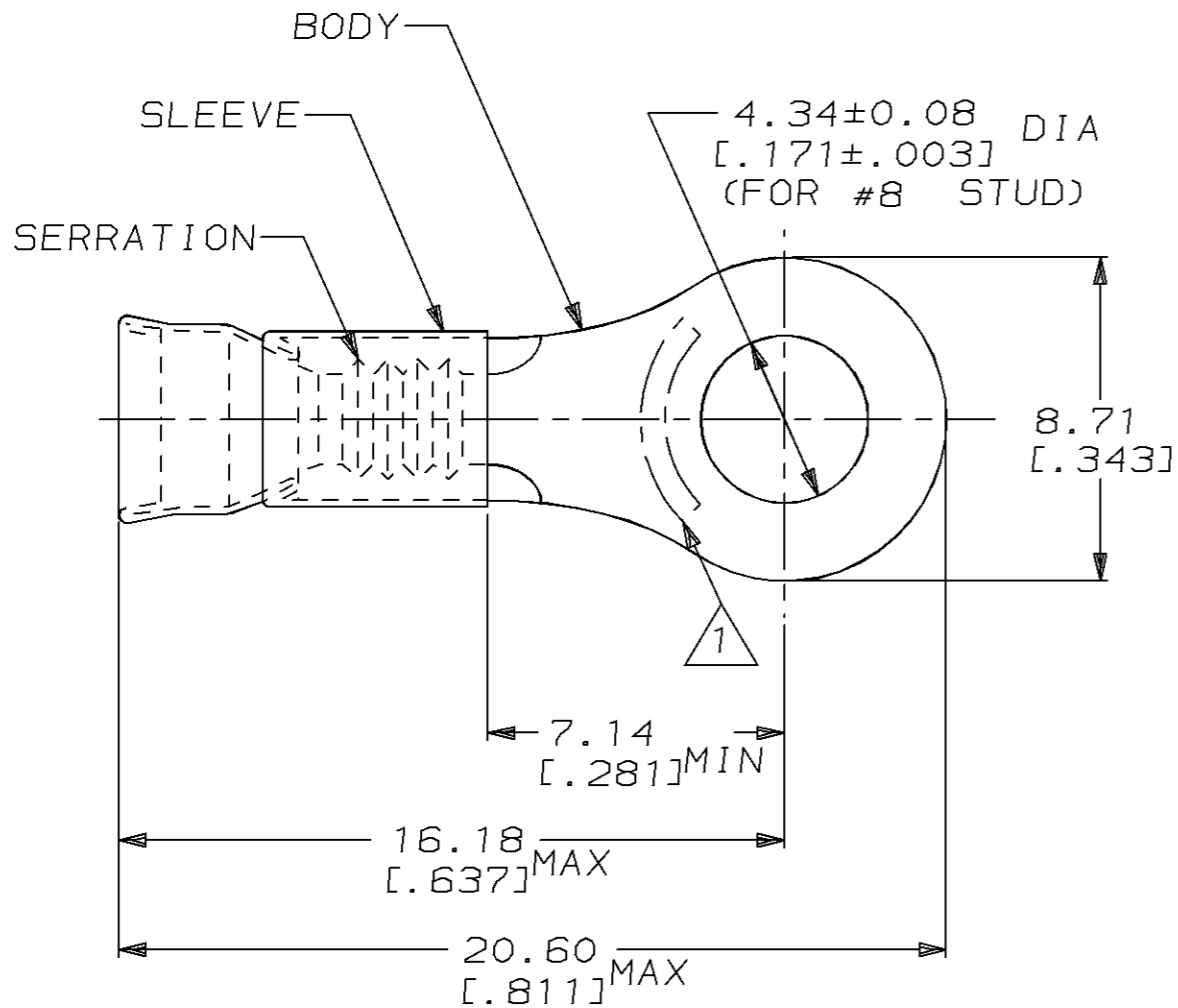


THIS DRAWING IS UNPUBLISHED. RELEASED FOR PUBLICATION ,19 .
 © COPYRIGHT 19 BY AMP INCORPORATED. ALL RIGHTS RESERVED.

LOC	DIST	REVISIONS					
		P	LTR	DESCRIPTION	DATE	DWN	APVD
G	14	G		REV / 0720-0660-95	07JUL95	ME	SB



- 1 STAMP AMP 16-14* APPROX AS SHOWN
- 2. WIRE INSUL DIA, 3.05-4.32 [.120-.170]
- 3. TONGUE MATL THK, 0.79±0.05 [.031±.002]
- 4 NICKEL PLATE PER QQ-N-290
- 5 GOLD PLATE PER MIL-G-45204 OVER NICKEL PLATE PER QQ-N-290

1000	LOOSE PIECE	322274-1
1000	LOOSE PIECE	322374
QTY	PACKAGE TYPE	PART NO

AMP INCORPORATED
CUSTOMER SERVICE SYSTEM

FOR ADDITIONAL PRODUCT INFORMATION OR COPIES OF DRAWINGS AND TECHNICAL DOCUMENTS: PRODUCT INFORMATION CENTER 1-800-522-6752

FOR APPLICATION TOOLING INFORMATION: TOOLING ASSISTANCE CENTER 1-800-722-1111

FOR ORDER ENTRY: 1-800-526-5142

MAX RECOMMENDED OPERATING TEMPERATURE:
 343°C [650°F]

VOLTAGE RATING:
 -

CIRCULAR MIL AREA:
 1.04mm²-2.62mm² [2050-5180]

STRANDED WIRE

THIS DRAWING IS A CONTROLLED DOCUMENT FOR AMP INCORPORATED. IT IS SUBJECT TO CHANGE AND THE CONTROLLING ENGINEERING ORGANIZATION SHOULD BE CONTACTED FOR THE LATEST REVISION.

DIMENSIONS: mm [in]

TOLERANCES UNLESS OTHERWISE SPECIFIED:

0 PLC	±-
1 PLC	±-
2 PLC	±0.20 [.008]
3 PLC	±-
4 PLC	±-
ANGLES	±-

FINISH: SEE NOTES 4 & 5

MATERIAL: BODY, CU PER ASTM B152; SLEEVE, NI SIL PER ASTM B122

DWN: L OLMEDA 100CT94
 CHK: M ELLIS 100CT94
 APVD: S BORTNER 100CT94

NAME: TERMINAL, RING TONGUE, STRATO-THERM™, DIAMOND GRIP™, WIRE SIZE, 16-14 AWG

SIZE: A3; CAGE CODE: 00779; DRAWING NO: C-322374

WEIGHT: -

CUSTOMER DRAWING

SCALE: 6:1; SHEET: 1 OF 1; REV: G

Mouser Electronics

Authorized Distributor

Click to View Pricing, Inventory, Delivery & Lifecycle Information:

[TE Connectivity:](#)

[322374-1](#)