

General Specifications

Motor Protection: Auto Restart/Polarity Protection
 Insulation Resistance: 10M Ohm or over with a DC500V Megger
 Dielectric Withstand Voltage: AC 700V 1st
 Allowable Ambient Temperature Range:
 -10 degree C ~ +70 degree C (Operating)
 -40 degree C ~ +70 degree C (Storage)
 (non-condensing environment)

Material

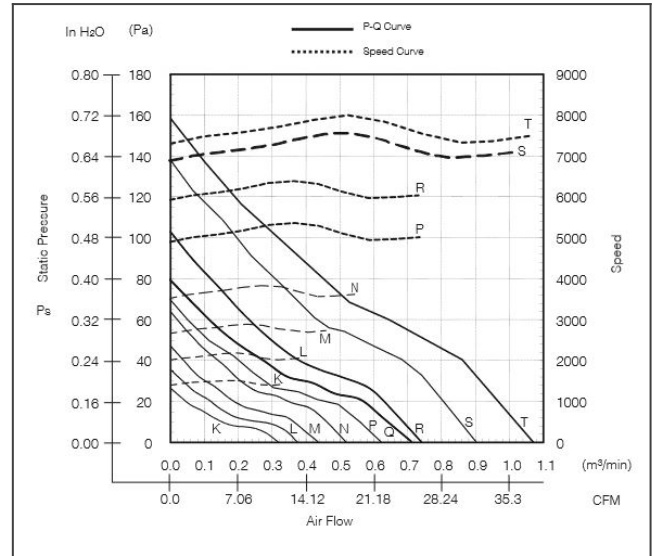
Casing: Plastic (Black) UL94V-0
 Impeller: Plastic (Black) UL94V-0
 Lead Wire: UL3385, AWG26, +Red, -Black

order part 06025SA-24T-AA-D0 Ball Bearing Fan DC Fans

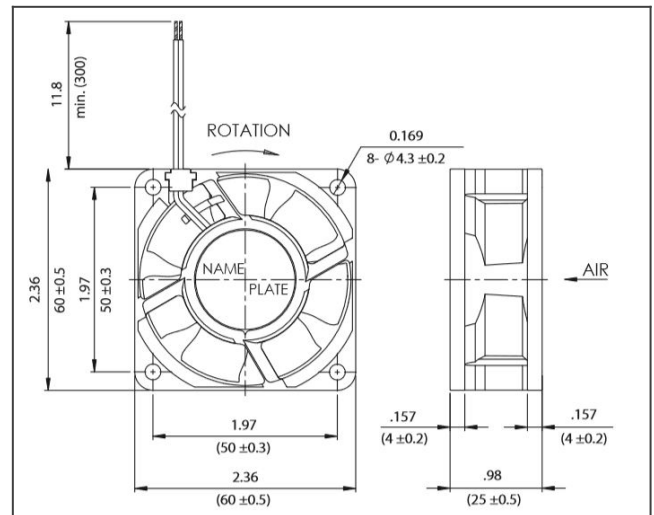


DC Fans

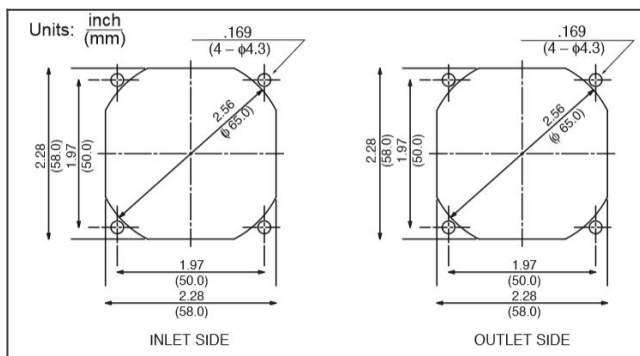
06025SA characteristics curve



06025SA product drawing



06025SA panel cut out



Detailed Specifications

| | |
|---------------------------------|--------------------------------------|
| Expected Life: | 60 degree C 40,000 Hours (L10) AA/EA |
| DC Fan: | Ball Bearing Fan |
| Nominal Voltage: | 24[V] |
| Operating Voltage Lower: | 10[V] |
| Operating Voltage Upper: | 26.4[V] |
| Current: | 0.18[A] |
| Input Power: | 4.3[W] |
| Speed: | 7500[min^{-1}] |
| Max. Air Flow: | 1.07[m^3/min] |
| Max. Air Flow: | 37.8[CFM] |
| Max. Static Pressure: | 159[Pa] |
| Max. Static Pressure: | 0.64[In H ₂ O] |
| Noise: | 47[dB] |
| Mass: | 56[g] |
| Fan Size: | 60[mm] |
| Fan Width: | 25[mm] |
| Life Expectancy L10: | 60 degree C 40,000 Hours (L10) AA/EA |
| Series: | 06025SA |

DC Fans

Mouser Electronics

Authorized Distributor

Click to View Pricing, Inventory, Delivery & Lifecycle Information:

[MinebeaMitsumi:](#)

[06025SA-24T-AA-D0](#)