

Proximity switches for T-slot

FESTO



Product range overview

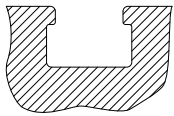
Design	Type of mounting	Measuring principle	Type	Operating voltage range	Switching output	Switching element function	→ Page
For T-slot	Standard						
	Screw-clamped, inserted in the slot from above	Magnetic Hall	SDBT-MSX	10 ... 30 V DC	PNP/NPN, switchable	N/O/ N/C contact, switchable	–
	Inserted in the slot from above, flush with the cylinder profile	Magneto-resistive	SMT-8M-A	5 ... 30 V DC	PNP	N/O contact	–
					NPN	N/C contact	
					Non-contacting, 2-wire	N/O contact	
	Inserted in the slot from above, flush with the cylinder profile	Magnetic reed	SME-8M	5 ... 30 V AC/DC	Contacting, bipolar	N/O contact	–
						N/C contact	
	Inserted in the slot lengthwise, flush with the cylinder profile	Magnetic reed	SME-8	12 ... 30 V AC/DC	Contacting, bipolar	N/O contact	–
				3 ... 230 V AC/DC		N/C contact	
	Inserted in the slot lengthwise	Magneto-resistive	SMT-8G	10 ... 30 V DC	PNP, NPN	N/O contact	11
		Magneto-resistive	SMT-8-SL	10 ... 30 V DC	PNP	N/O contact	7
		Magnetic reed	SME-8-SL	10 ... 30 V AC/DC	Contacting, bipolar	N/O contact	–
	With accessories	Magneto-resistive	SMT-8E	10 ... 30 V DC	PNP	N/O contact	–
					NPN		
					Magnetic reed		
	3 ... 250 V DC						
	3 ... 230 V AC						
	Corrosion-resistant						
	Inserted in the slot from above, flush with the cylinder profile	Magneto-resistive	CRSMT-8M	5 ... 30 V DC	PNP	N/O contact	–
	Welding-field-resistant						
Inserted in the slot from above, screw-clamped	Magneto-resistive	SDBT-BSW	10 ... 30 V DC	PNP	N/O contact	–	
				NPN			
				Non-contacting, 2-wire			
With accessories	Magneto-inductive	SMT-8E	10 ... 30 V DC	PNP	N/O contact	–	
				NPN			
Heat-resistant up to 120°C							
Inserted in the slot lengthwise, flush with the cylinder profile	Magnetic reed	SME-8-...S6	0 ... 30 V AC/DC	Contacting, bipolar	N/O contact	–	
With accessories	Magnetic reed	SME-8E-...S6	0 ... 30 V DC	Contacting	N/O contact	–	
			0 ... 30 V AC				
To EU Explosion Protection Directive (ATEX)							
Inserted in the slot from above, screw-clamped	Magneto-resistive	SDBT-MS-...-EX6	8.2 V DC	NAMUR	NAMUR	–	

Product range overview

Design	Type of mounting	Measuring principle	Type	Operating voltage range	Switching output	Switching element function	→ Page
For C-slot	Standard						
	Inserted in the slot from above, flush with the cylinder profile	Magneto-resistive	SMT-10M	10 ... 30 V DC	PNP	N/O contact	C-slot
					NPN		
			Non-contacting, 2-wire				
	Inserted in the slot lengthwise	Magnetic reed	SME-10M	5 ... 30 V AC/DC	Contacting, bipolar	N/O contact	
Magneto-resistive		SMT-10G	10 ... 30 V DC	PNP	N/O contact		
	Magnetic reed	SME-10	12 ... 27 V AC/DC	Contacting	N/O contact		

T-slot switches can be used for drives with T-slot

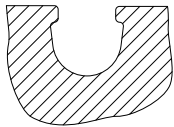
Exceptions



- DFM-B: SMT0-8E, SMTSO-8E, SME0-8E and SMP0-8E cannot be used
- DHDS: SME-8M can only be used on $\varnothing 50$
- DHPS: SME-8M can only be used on $\varnothing 20 \dots 35$
- HGDD-63-A: SMT-8M-A cannot be used
- HGPT-B: only SMT-8G can be used from size 40 and upwards
- SDBT-BSW- ... -PU/NU can only be used on a limited number of drive series. Page → 53

C-slot switches can be used for drives with C-slot

Exceptions



- ADVC $\varnothing 100$: SMT-10M and SME-10M cannot be used (ADVC has a T-slot and C-slot)
- DSM/DSM-B-6/8/10: SME-10M cannot be used
- DSM/DSM-B-10/16: SMT-10M cannot be used
- HGPT-B: only SMT-10G can be used for sizes up to and including size 35

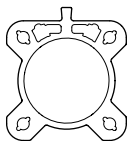
For drives with sensor rail: these are available with 2 cylinder barrel contours

Only T-slot switches CRSMT-8M, SMT-8M-A and SDBT-MS- ... -EX6 can be used, and only with the identified profile.

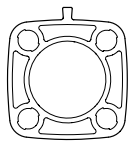
CRSMT-8M and SMT-8M-A can be used for all diameters; SDBT-MS- ... -EX6 cannot be used for diameters 40 and 50.

Example: DSBF

Example: CDC

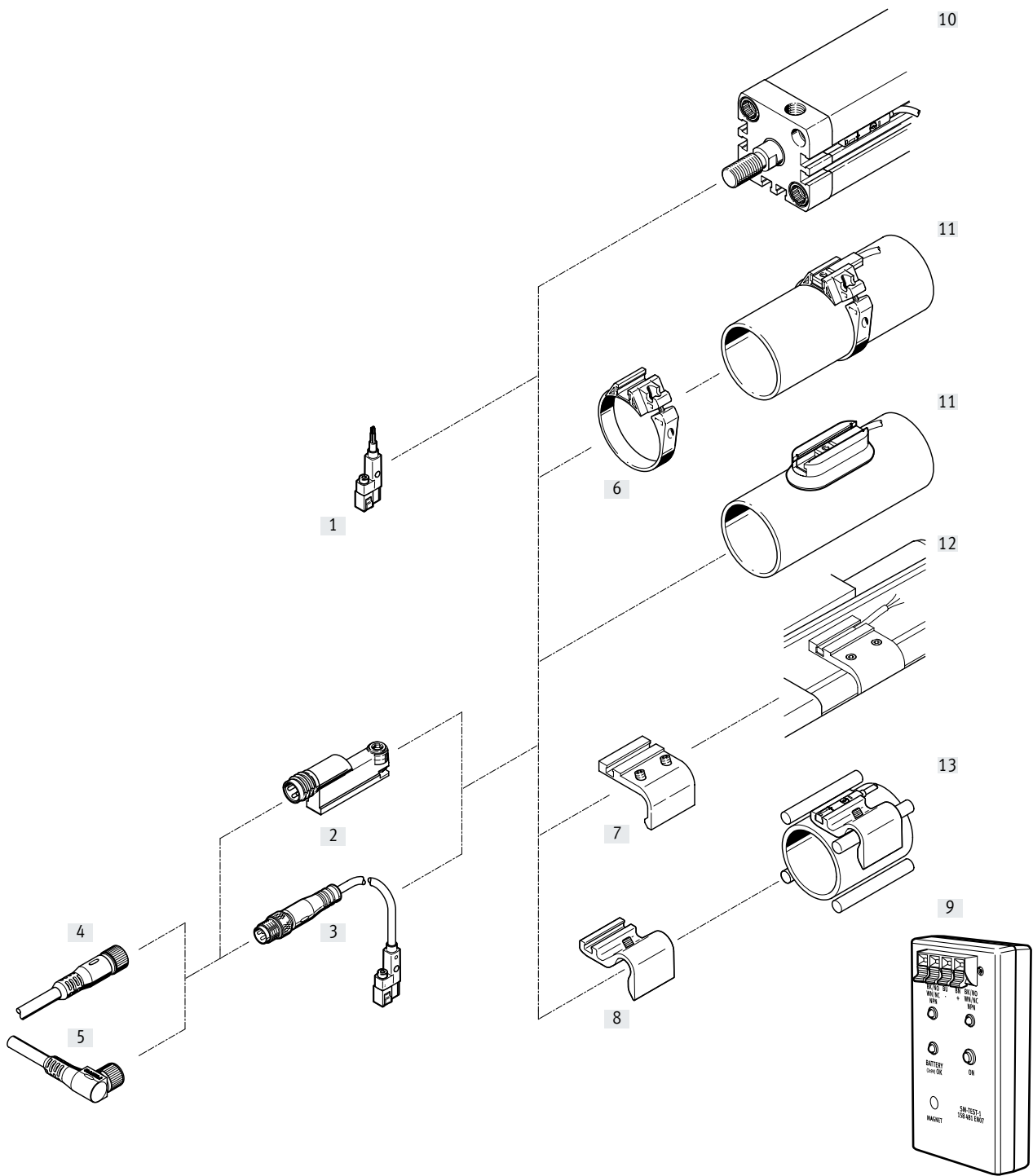


Suitable



Not suitable

Peripherals overview



Peripherals overview

Mounting components and accessories		→ Page	Mounting components and accessories		→ Page
Proximity switches			Mounting kits and accessories		
[1]	SMT-8G-...-OE, with cable	11	[6]	Mounting kit SMBR	14
[2]	SMT-8-SL-..., with plug	7	[7]	Mounting kit SMB-8-FENG	14
[3]	SMT-8G-...-M..., with cable and plug	11	[8]	Sensor bracket DASP-M4-...	15
			[9]	Sensor tester SM-TEST-1	16
			-	Positioning element SMM-8	15
			-	Clip SMBK-8	16
			-	Inscription label ASLR	16
			-	Safety clip NEAU	16
Connecting cables			Drives		
[4]	NEBU-M...G...	16	[10]	Drives with T-slot	-
[5]	NEBU-M...W...	16	[11]	Round cylinder	-
			[12]	Standards-based cylinder DSBC	-
			[13]	Drives with tie or mounting rod	-

Type codes

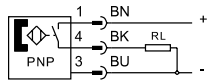
001		Series
SMT	Proximity sensor	
002		Design type
8	For T-slot	
003		Sensor version
G	Inserted in the slot lengthwise, optimised for gripper sensing	
SL	Inserted in the slot lengthwise, sturdy due to long guides	
004		Switching output
NS	3-wire NPN N/O contact	
PS	3-wire PNP N/O contact	
005		Display
	None	
L	LED	
006		Rated operating voltage
24	24 V DC	
24V	24 V	

007		Cable characteristic
	None	
E	Suitable for energy chains/robot applications	
008		Cable length [m]
0.3	0.3	
2.5	2.5	
009		Cable outlet
Q	Transverse	
010		Electrical connection
OE	Open end	
M8D	Cable with M8x1 plug, 3-pin, rotatable thread	
011		Generation
	None	
B	Series B	

Data sheet – Magneto-resistive

Function

PNP, N/O contact, with plug



- Magneto-resistive measuring principle
- Inserted in the slot lengthwise

SMT-8-SL

- Sturdy thanks to long guides
- Plug directly on the sensor



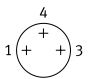
General technical data	
Type	SMT-8-SL
Switching output	PNP
Design	For T-slot
Conforms to standard	–
Based on standard	EN 60947-5-2
Certification	RCM compliance mark c UL us listed (OL)
CE marking (see declaration of conformity)	To EU EMC Directive
Note on materials	Free of copper and PTFE RoHS-compliant

Input signal/measuring element	
	SMT-8-SL
Measuring principle	Magneto-resistive
Ambient temperature	[°C] –20 ... +70

Switching output	
Type	SMT-8-SL
Switching output	PNP
Switching output	PNP
Switching element function	N/O contact
Reproducibility of switching value	[mm] –
Switch-on time	[ms] ≤ 1
Switch-off time	[ms] 3 ... 5
Max. switching frequency	[Hz] 140
Max. output current	[mA] 100
Max. switching capacity DC	[W] 3
Voltage drop	[V] ≤ 2
Off-state current	[µmA] ≤ 1.5

Output, additional data	
Type	SMT-8-SL
Switching output	PNP
Short circuit current rating	Yes
Overload protection	Provided

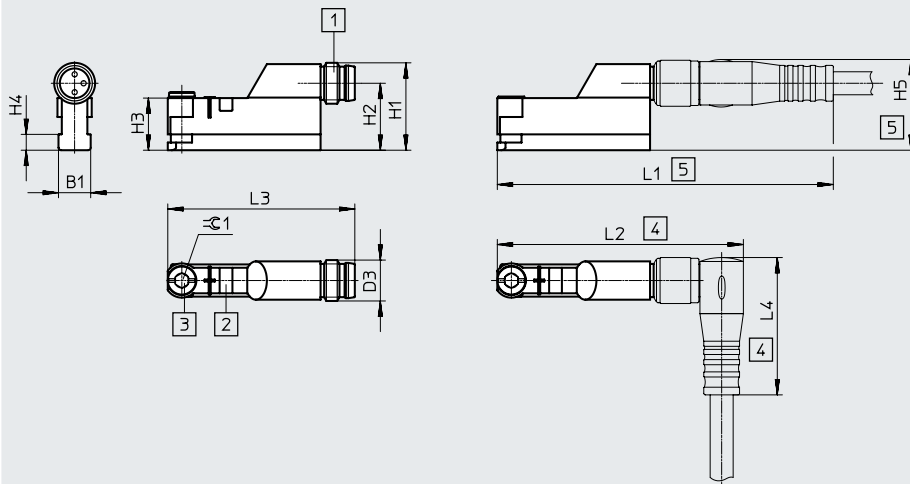
Data sheet – Magneto-resistive

Electronics					
Type		SMT-8-SL			
Switching output		PNP			
Rated operating voltage	[V DC]	24			
Operating voltage range	[V DC]	10 ... 30			
Reverse polarity protection		For all electrical connections			
Electromechanics					
Type		SMT-8-SL			
Switching output		PNP			
Electrical connection					
Connection type		Plug			
Connection technology		M8x1, A-coded to EN 61076-2-104			
Number of pins/wires		3			
Outlet direction of connection		In-line			
Cable length	[m]	-			
Information on materials: Cable sheath		-			
Mechanics					
Type		SMT-8-SL			
Switching output		PNP			
Electrical connection		Plug M8x1, 3-pin			
Type of mounting					
		Screw-clamped			
		Inserted in the slot lengthwise			
Information on materials: Housing		PA			
		-			
Display/operation					
Switching status indication		Yellow LED			
Immission/emission					
Type		SMT-8-SL			
Ambient temperature with flexible cable installation	[°C]	-			
Degree of protection					
		IP65			
		IP68			
		-			
Insulation voltage	[V]	-			
Pollution degree		-			
Pin allocation to EN 60947-5-2					
PS/NS					
Plug, 3-pin					
M8x1		Pin	Wire colour		
		1	Brown	+	
			3	Blue	-
			4	Black	Output

Data sheet – Magneto-resistive

Dimensions

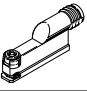
SMT-8-SL

Download CAD data → www.festo.com

- [1] Plug to fit connecting cable NEBU-M8
- [2] Yellow light emitting diode
- [3] Clamping element
- [4] Installation space for connecting cable NEBU-M8W3
- [5] Installation space for connecting cable NEBU-M8G3

Type	B1	B2	D1	D3	H1	H2	H3	H4	H5	L1	L2	L3	L4
SMT-8-SL	6.7	-	-	M8x1	17.1	13.1	10.2	3.1	17.6	66	48.4	36.6	25

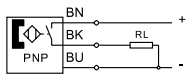
Data sheet – Magneto-resistive

Ordering data							
	Switching output	Electrical connection			Cable length [m]	Part no.	Type
		Cable	Cable with plug M8x1	Plug M8x1			
N/O contact, basic version							
	PNP	–	–	3-pin	–	562019	SMT-8-SL-PS-LED-24-B

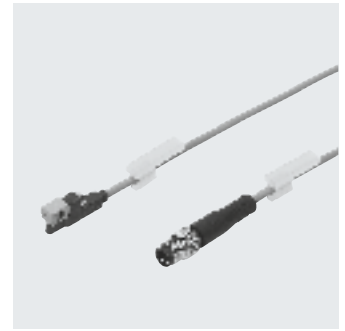
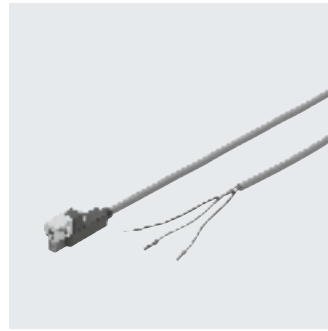
Data sheet – Magneto-resistive

Function

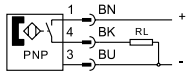
PNP, N/O contact, with cable, 3-wire



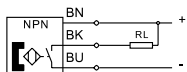
- Magneto-resistive measuring principle
- Inserted in the slot lengthwise
- Design ideal for gripper sensing



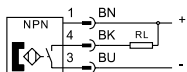
PNP, N/O contact, with plug



NPN, N/O contact, with cable, 3-wire



NPN, N/O contact, with plug



General technical data

Design	For T-slot
Based on standard	EN 60947-5-2
Certification	RCM compliance mark c UL us listed (OL)
CE marking (see declaration of conformity)	To EU EMC Directive
Note on materials	Free of copper and PTFE RoHS-compliant

Input signal/measuring element

Measuring principle	Magneto-resistive
Ambient temperature [°C]	-20 ... +70

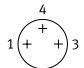
Switching output

	PNP	NPN
Switching element function	N/O contact	
Max. output current [mA]	100	
Max. switching capacity DC [W]	2.8	

Output, additional data

Short circuit current rating	Yes
Overload protection	Provided

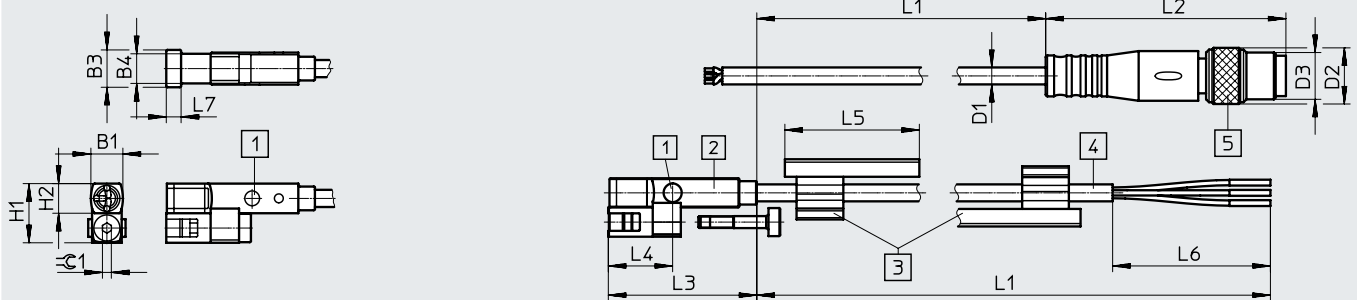
Data sheet – Magneto-resistive

Electronics				
Operating voltage range	[V DC]	10 ... 30		
Reverse polarity protection		For all electrical connections		
Electromechanics				
Type		SMT-8G-...-OE	SMT-8G-...-M8D	
Electrical connection				
Connection type		Cable	Cable with plug	
Connection technology		Open end	M8x1, A-coded to EN 61076-2-104	
Number of pins/wires		3	3	
Type of mounting		–	Screw-type lock	
Outlet direction of connection		Lateral		
Cable test conditions		Cable chain: 5 million cycles, bending radius 28 mm		
		Torsional resistance: > 300,000 cycles, $\pm 270^\circ/0.1$ m		
		Resistance to bending: to Festo standard; test conditions on request		
Cable length	[m]	2.5	0.3	
Cable characteristic		Suitable for energy chains and robot applications		
Information on materials: Cable sheath		TPE-U(PU)		
Mechanics				
Type of mounting		Clamped in T-slot		
		Inserted in the slot lengthwise		
Information on materials: Housing		Reinforced PA		
Display/operation				
Switching status indication		Yellow LED		
Immission/emission				
Ambient temperature with flexible cable installation	[°C]	–5 ... +70		
Degree of protection		IP65		
		IP68		
Pin allocation to EN 60947-5-2				
PS				
Plug, 3-pin				
M8x1		Pin	Wire colour	
		1	Brown	
			3	Blue
			4	Black
				Allocation
				+
				–
				Output

Data sheet – Magneto-resistive

Dimensions

Download CAD data → www.festo.com



- [1] 2x LED
- [2] SMT-8G
- [3] Inscription label holder in a separate bag
- [4] Connecting cable
- [5] Plug M8x1
- L1 Cable length

	B1	B2	B3	B4	D1 ∅	D2 ∅	D3	H1	H2	L1	L2 ±0.4	L3 ±0.3	L4	L5	L6 +5	L7	⌀1
SMT-8G-PS-...-OE	5.4	5	6.3	5	2.9	-	-	10	5	2500 + 70	-	25	10.8	23	50	2.5	1.5
SMT-8G-PS-...-M8D						9.6	M8x1			300 + 30	41.1				-		
SMT-8G-NS-...-OE						-	-			2500 + 70	-				50		
SMT-8G-NS-...-M8D						9.6	M8x1			300 + 30	41.1				-		

Ordering data

Switching output	Electrical connection	Cable with plug, rotatable thread M8x1	Cable length	Part no.	Type
	Cable		[m]		

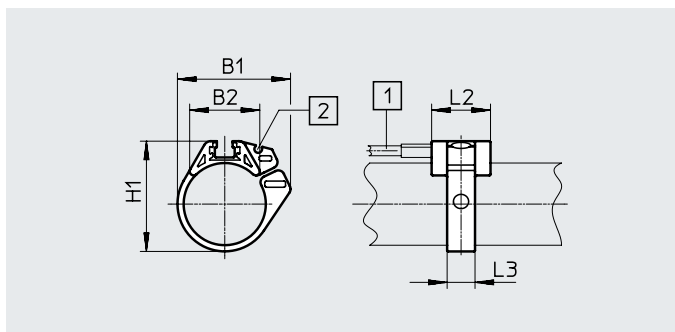
N/O contact

	PNP	3-wire	-	2.5	547859	SMT-8G-PS-24V-E-2.5Q-OE
		-	3-pin	0.3	547860	SMT-8G-PS-24V-E-0.3Q-M8D
	NPN	3-wire	-	2.5	8065028	SMT-8G-NS-24V-E-2.5Q-OE
		-	3-pin	0.3	8065027	SMT-8G-NS-24V-E-0.3Q-M8D

Accessories

Mounting kit SMBR

Material:
Polyacetal
RoHS-compliant

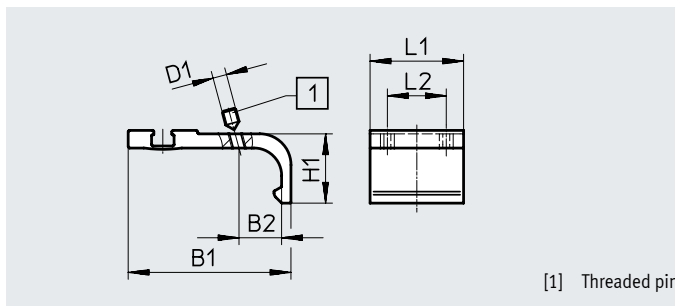
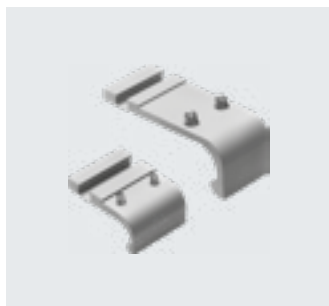


Dimensions and ordering data

For piston \varnothing	B1	B2	H1	L2	L3	Part no.	Type
8	18.9	12.3	17.5	19	7	175091	SMBR-8-8
10	20.4	13.7	19.9	19	7	175092	SMBR-8-10
12	22.7	14.3	21.9	19	7	★ 175093	SMBR-8-12
16	28.2	16.9	25.7	19	8	★ 175094	SMBR-8-16
20	34.5	20.8	30.4	19	9	★ 175095	SMBR-8-20
25	36.7	22.7	35.6	19	9	★ 175096	SMBR-8-25
32	41.7	24.6	42.7	19	9	175097	SMBR-8-32
40	47.1	26.5	50.7	19	9	175098	SMBR-8-40
50	56.4	28.6	61.5	19	9	175099	SMBR-8-50
63	69.4	32	74.5	19	9	175100	SMBR-8-63

Mounting kit SMB-8-FENG

Material:
Wrought aluminium alloy
Free of copper and PTFE



[1] Threaded pin

Dimensions and ordering data

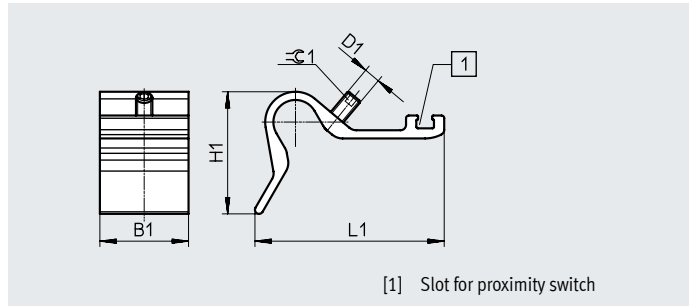
For piston \varnothing	B1	B2	D1	H1	L1	L2	Tightening torque [Nm]	Part no.	Type
32/40	35.1	8.7	M3	15.5	27	17	0.2	175705	SMB-8-FENG-32/40
50/63	47	12.3	M4	20	27	17	0.5	175706	SMB-8-FENG-50/63
80/100	64.3	15.7	M5	24.3	27	17	0.7	175707	SMB-8-FENG-80/100



Accessories

Sensor bracket DASP-M4-...-A

Material:
Anodised wrought aluminium alloy
Screws: High-alloy stainless steel
RoHS-compliant



[1] Slot for proximity switch

Dimensions and ordering data										
Type	B1	D1	H1	L1	$\approx \varnothing 1$	Tightening torque [Nm]	CRC ¹⁾	Weight [g]	Part no.	Type
DASP-M4-125-A	32.5	M5	28	45.4	2.5	1	3	26.5	1451483	DASP-M4-125-A
DASP-M4-160-A	32.5	M6	44.7	69.4	3	1	3	41.5	1553813	DASP-M4-160-A
DASP-M4-250-A	32.5	M6	56.3	88	3	1	3	60	1456781	DASP-M4-250-A
DASP-M4-320-A	32.5	M6	56.3	88	3	1	3	60	3015256	DASP-M4-320-A

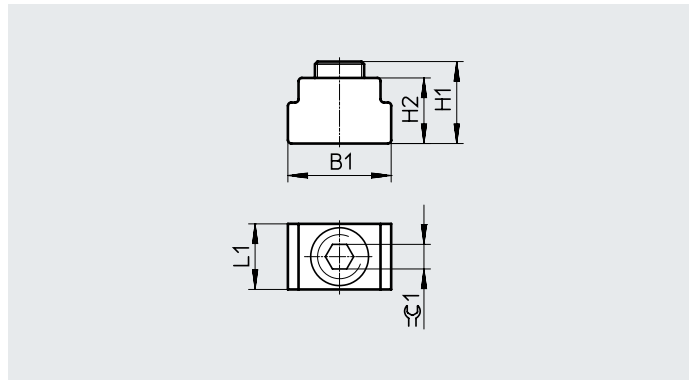
1) Corrosion resistance class CRC 3 to Festo standard FN 940070
High corrosion stress. Outdoor exposure under moderate corrosive conditions. Externally visible parts with primarily functional surface requirements which are in direct contact with a normal industrial environment.

Positioning element SMM

Inserted in the slot lengthwise

Ambient temperature: -40 ... +120°C





Materials:
Housing: Anodised wrought aluminium alloy
Screws: High-alloy stainless steel
Note on materials: RoHS-compliant




Dimensions and ordering data									
B1	H1	H2	L1	$\approx \varnothing 1$	CRC ¹⁾	Part no.	Type	PU ²⁾	
6.3	5.0	4.0	4.0	1.5	3	547941	SMM-8	10	

1) Corrosion resistance class CRC 3 to Festo standard FN 940070
High corrosion stress. Outdoor exposure under moderate corrosive conditions. Externally visible parts with primarily functional surface requirements which are in direct contact with a normal industrial environment.
2) Packaging unit

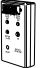
Accessories


Ordering data – Connecting cables		Number of wires	Cable length [m]	Part no.	Type	Data sheets → Internet: nebu
Socket M8x1, 3-pin						
	For SMT/SME-8... and SMT0/SMTSO/SME0-8E	3	2.5	★ 541333	NEBU-M8G3-K-2.5-LE3	
			5	★ 541334	NEBU-M8G3-K-5-LE3	
	For SMT/SME-8... and SMT0/SMTSO/SME0-8E	3	2.5	★ 541338	NEBU-M8W3-K-2.5-LE3	
			5	★ 541341	NEBU-M8W3-K-5-LE3	
Socket M12x1, 5-pin						
	For SMT/SME-8M and SMT0/SMTSO/SME0-8E	3	2.5	★ 541363	NEBU-M12G5-K-2.5-LE3	
			5	★ 541364	NEBU-M12G5-K-5-LE3	
	For SMT/SME-8M and SMT0/SMTSO/SME0-8E	3	2.5	541367	NEBU-M12W5-K-2.5-LE3	
			5	541370	NEBU-M12W5-K-5-LE3	

Ordering data – Safety clip for ATEX zone		Size	Description	Part no.	Type	PU ¹⁾
	M8	<ul style="list-style-type: none"> Protects "equipment that is not intrinsically safe" in zones 2 and 22 against simple disconnection ATEX category: gas: II 3G / dust: II 3D 	548067	NEAU-M8-GD	1	
	M12		548068	NEAU-M12-GD	1	

1) Packaging unit

Ordering data – Mounting components		Description	Part no.	Type
		For fixing connecting cables in place	534254	SMBK-8

Ordering data – Sensor tester		Description	Part no.	Type
		<ul style="list-style-type: none"> Testing the functionality of proximity switches using the integrated voltage supply Adjusting proximity switches on the cylinder 	158481	SM-TEST-1

Ordering data – Inscription labels		Size	Part no.	Type	PU ¹⁾
		23x4 mm	541598	ASLR-L-423	34

1) Packaging unit

Festo core product range



Generally ready for shipping ex works in 24 hours

Generally ready for shipping ex works in 5 days