

DC JACK Connector

KLS electronic
www.cnkls.com

DC JACK Series

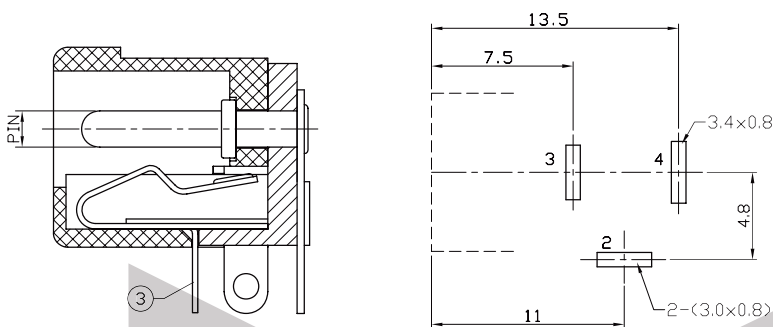
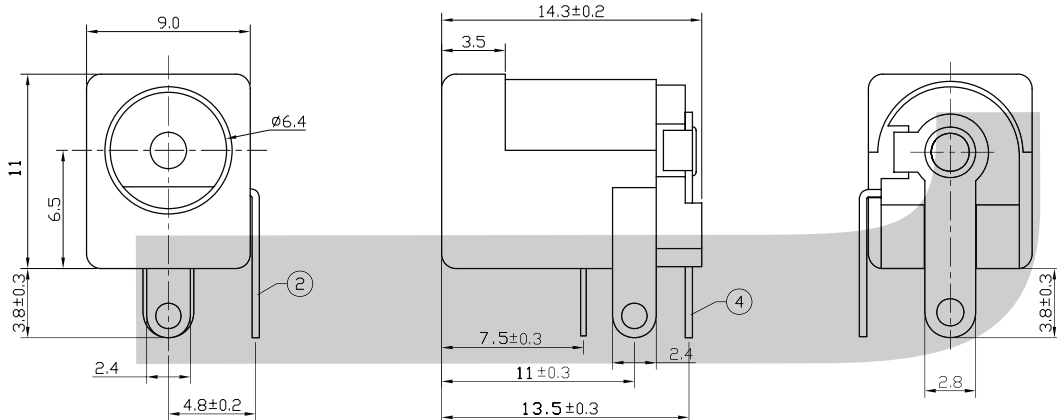
KLS1-DC-005A DIP DC Jack Type

Electrical Specification:

Rated Load : DC 30V 1A
Contact resistance : 30mΩ Max
Insulation resistance : 100MΩ Min
Withstand voltage : AC 500V(50Hz) 1min
Actuating Force: 3-20N
Life: 5000 cycles
Operating Temperature: -30°C~+70°C

Materials

Plastic: PBT
Centre Pin: Copper, Nickel Plated
Terminal 4: Brass, Tin Plated
Terminal 2: Copper Alloy, Tin Plated
Terminal 3: Brass, Tin Plated



MODEL NO.	DC-005A
SCHEMATIC	4 3 2
CENTER PIN	∅ 2.0mm ∅ 2.5mm

P.C.B Layout

ORDER INFORMATION

Product NO.: KLS1-DC-005A-2.0

Pos. NO. _____ Center Pin Dimension
DC Jack Type