

PART NAME

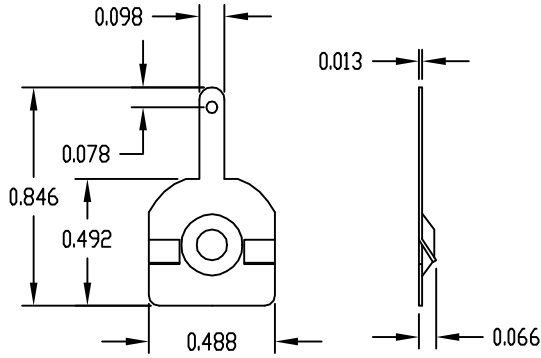
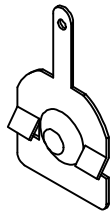
AA BATTERY CONTACT KIT

PART No.

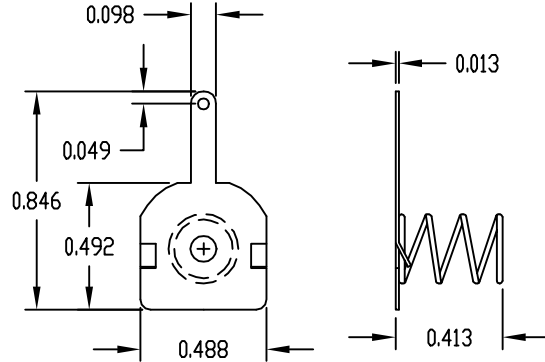
HH-3442-C

MATERIAL: STEEL

FINISH: NATURAL



POSITIVE CONTACT (QTY. 2)



NEGATIVE CONTACT (QTY. 2)

PART NAME

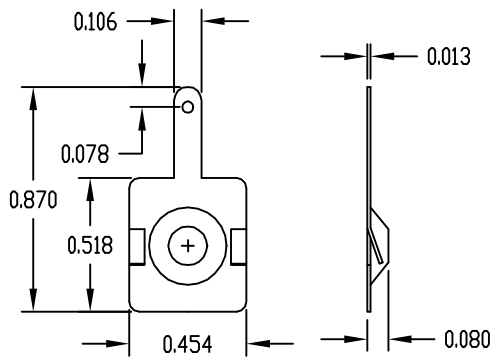
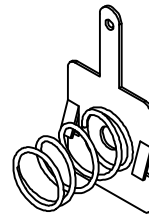
AA BATTERY CONTACT KIT

PART No.

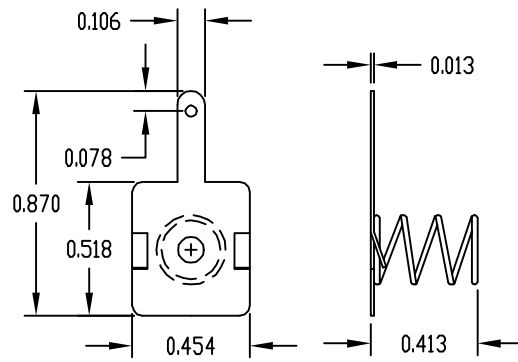
HH-3450-C

MATERIAL: STEEL

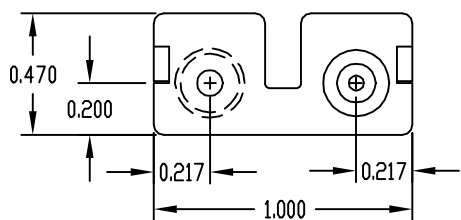
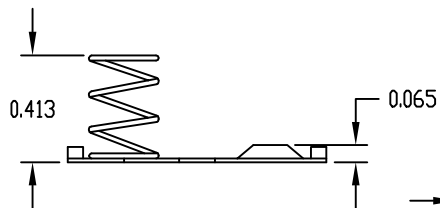
FINISH: NATURAL



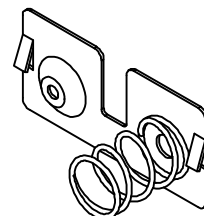
POSITIVE CONTACT (QTY. 1)



NEGATIVE CONTACT (QTY. 1)



POSITIVE/NEGATIVE CONTACT (QTY. 1)



# Mouser Electronics

Authorized Distributor

Click to View Pricing, Inventory, Delivery & Lifecycle Information:

[Bud Industries:](#)

[HH-3442-C](#) [HH-3450-C](#)