

## PRESENTATION

- Wide selection of pressure regulation ranges: from between 0,2 and 0,5 bar to 3, 8 or 10 bar
- Ensures constant downstream pressure: rolling diaphragm, self-relieving feature
- Reliability and durability: low hysteresis, rolling diaphragm, no friction

## SPECIFICATIONS

FLUID	: Compressed air or neutral gas			
RANGE	105	107	112	112
PORTS	G1/8 - G1/4	G1/8 - G1/4	G1/4...G1/2	G3/4
MAX. INLET PRESSURE (bar)	12	16	16	16
CONTROLLED PRESSURE (bar)	0,5 - 8	0,5 - 10	0,5 - 10	0,5 - 12
	see table below for other values			
HYSTERESIS (bar)	0,35	0,3	0,2	0,2
AMBIENT TEMPERATURE (°C)	0°, +50°	-10°, +50°	-10°, +50°	-10°, +50°C
MAX. FLOW (Qv at 6,3 bar)	see table below and charts			

## SELF-RELIEVING REGULATOR

## INDIVIDUAL SPECIFICATIONS AND CONSTRUCTION

- MODULAIR 105 range  
Regulating device with **rolling** diaphragm (very low hysteresis)  
Nitrile seal (NBR)  
Glass-fibre reinforced polyamide body (PA)  
Locking "pull-turn-push" pressure control knob
- MODULAIR 107 and 112 ranges  
Regulating device with **rolling** diaphragm (very low hysteresis)  
Nitrile seal (NBR)  
Painted zamak body  
Locking "pull-turn-push" pressure control knob

## INSTALLATION

Regulators can be installed in any position  
Panel mounting possible (mounting ring: see accessories)  
Fluid flow direction indicated by arrow and "IN" - "OUT" marking on body (Modulair 105).

## SELECTION DU MATERIEL

port size	MODULAIR range	maximum inlet pressure (bar)	controlled pressure (bar)	flow (ANR) at 6.3 bar pressure setpoint and ΔP of 1 bar / setpoint		code			
				at upstream pressure (bar)	l/min (ANR)	dm³/s (ANR)	regulator	with pressure gauge	without pressure
							Ø gauge	0-12 bar (1)	

### Adjustment range: STANDARD

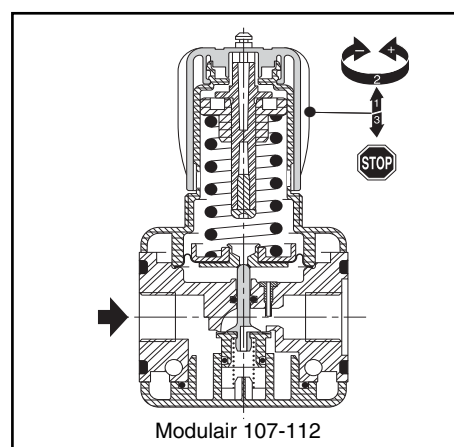
G1/8	105	12	0,5-8	8	550	9	40	34225007	34225005
G1/4	105	12	0,5-8	8	650	11	40	34225008	34225006
G1/8	107	16	0,5-10	8	700	11,7	40	34204037	34204033
G1/4	107	16	0,5-10	8	1200	20	40	34204038	34204034
G1/4	112	16	0,5-10	10	3900	65	50	34203058	34203052
G3/8	112	16	0,5-10	10	5500	92	50	34203059	34203053
G1/2	112	16	0,5-10	10	7000	117	50	34203060	34203054
G3/4 (2)	112	16	0,5-12	10	7000	117	50	34203B47	34203B46
G3/4 (3)	112	16	0,5-12	10	7000	117	50	34203B55	34203B54

### Adjustment range: LOW (0.2 - 3 bar)

							(0-4 bar pressure gauge)		
G1/8	105	12	0,2-3	8	550	9	40	34225261	34225259
G1/4	105	12	0,2-3	8	650	11	40	34225262	34225260
G1/8	107	16	0,2-3	8	700	11,7	40	34204043	34204039
G1/4	107	16	0,2-3	8	1200	20	40	34204044	34204040
G1/4	112	16	0,2-3	10	3900	65	50	34203070	34203064
G3/8	112	16	0,2-3	10	5500	92	50	34203071	34203065
G1/2	112	16	0,2-3	10	7000	117	50	34203072	34203066
G3/4 (3)	112	16	0,2-3	10	7000	117	50	34203B51	34203B50

- (1) 0-10 bar pressure gauge in Modulair 105 range, 0-16 bar pressure gauge in Modulair 112 G3/4 range - Other adjustment ranges on request
- (2) Non intended for the combination
- (3) Version intended for the combination of various functions (FRL - isolation valve etc ...), select the desired functions and obtain the necessary assembly kits and mounting brackets (see page 42)

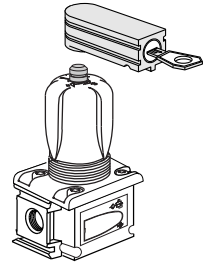
**Joinable regulator**  
common supply type Modulair 112 (see page 15)



ACCESSORIES see page 42

### OPTIONS

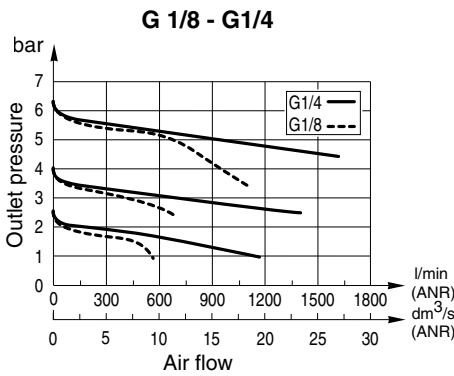
- Key locking device attached to adjustment knob supplied installed on regulator, code: **662561** for Modulair 107 range, code: **662554** for Modulair 112 range. Others options or accessories, see page 46
- Adjustment range: 0.5 to 12 bar for Modulair 107 and 112 ranges (provide 50 mm dia., 0 - 16 bar pressure gauge)
- G3/4 version for Modulair 112, individual unit not for combination, controlled pressure range 0,5 – 10 bar, use code for G1/2 version + option code **662600**, example: 34203003 + 662600
- Water service (non-self-relieving) code: **662541** for Modulair 112 range
- Equipment for use in potentially **explosive atmospheres** caused by dusts or gases (ATEX Directive 94/9/EC)



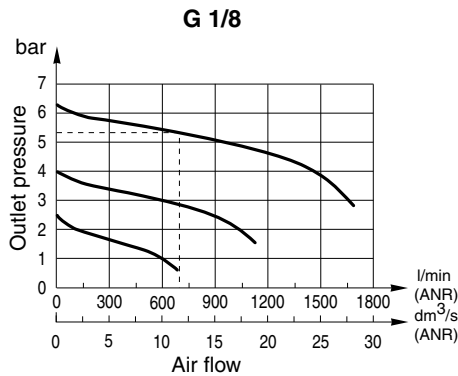
zones	⊕ classification	gas group	ATEX option code		
			Modulair 105	Modulair 107	Modulair 112
2-22	II3GD c T 85°C (T6)	IIA-IIB-IIC	<b>612077</b>	<b>612073</b>	<b>612021</b>
1-21	II2GD c IIC T85°C (T6)	IIC	<b>612066</b>	<b>612064</b>	<b>612062</b>

### PRESSURE LOSS VERSUS AIR FLOW CURVES

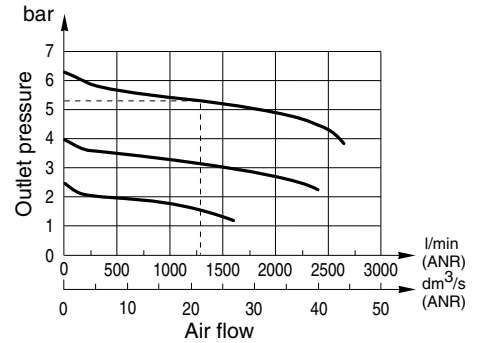
#### MODULAIR 105



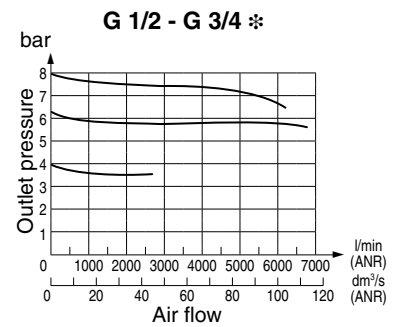
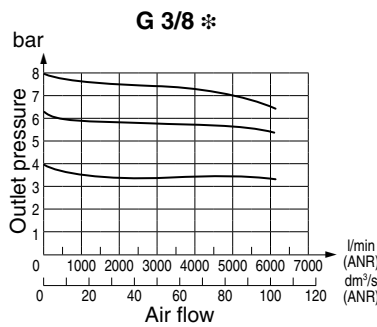
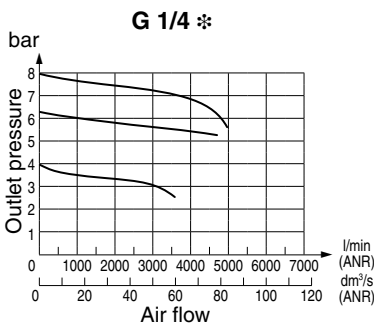
#### MODULAIR 107



#### G 1/4



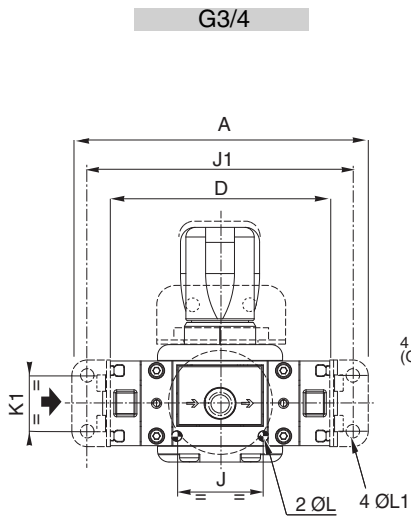
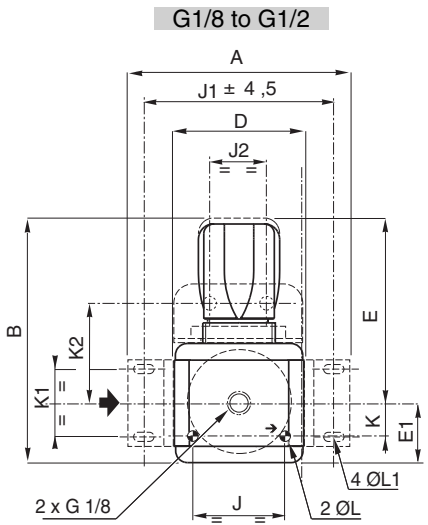
#### MODULAIR 112



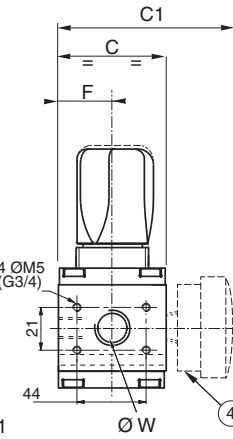
\* according to ISO 6953 standards

**DIMENSIONS AND WEIGHTS**

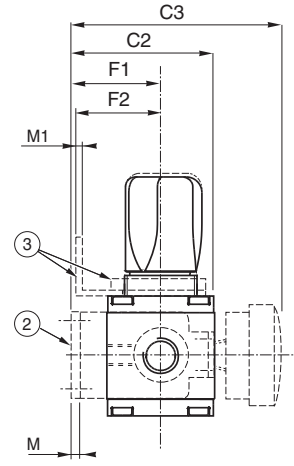
**MODULAIR 107 - 112**



Direct frontal mounting ① or lateral (G3/4)

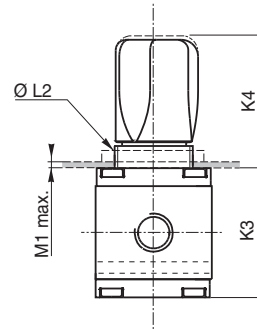


Mounting with bracket(s)



range	Modulair 107	Modulair 112	Modulair 112
Ø W	G1/8	G1/4	G3/4
A	83	112	154
B	104	125	125
C	42	55	55
C1	76	87	87
C2	61	73,5	69,5
C3	95	105	101,5
D	42	66	114
E	78,5	94,5	94,5
E1	25,5	30,5	30,5
F	21	27,5	27,5
F1	40	46	42
F2	42	42	42
J	32	45	45
J1	68,5	96	138
J2	29	29	29
K	10	17	17
K1	28	33,5	29
K2	37,5	42,5	42,5
K3	51	61	61
K4	53	64	64
ØL	4,1	5,5	5,5
ØL1	4,5	5,5	7
ØL2	M30x2	M37x2	M37x2
M	3	4	2
M1	2	2	2
Weight (kg)	0,270 <sup>(1)</sup>	0,550 <sup>(1)</sup>	0,880 <sup>(1)</sup>

Panel mounting hole diameter:  
30.5 for Modulair 107 range  
37.5 for Modulair 112 range



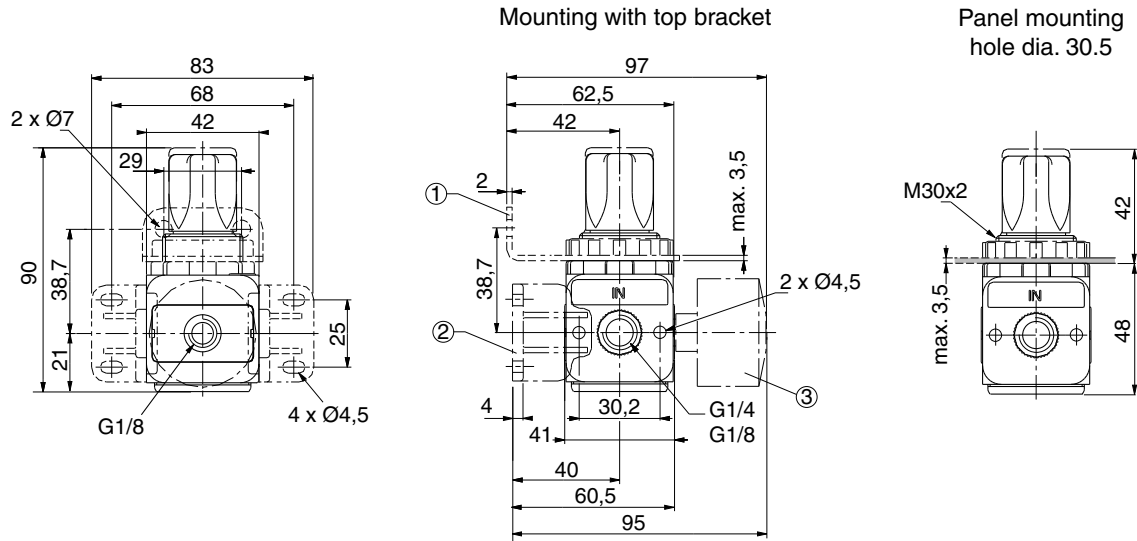
- ① Direct frontal mounting (G1/8 - G1/2) : 2 holes ØL and depth C
- ② Mounting with 2 side brackets (accessory)
- ③ Mounting by upper bracket and mounting ring (accessories)
- ④ Pressure gauge of 40 mm dia. (Modulair 107 range)  
or 50 mm dia. (Modulair 112 range)

(1) Weight without pressure gauge

## DIMENSIONS AND WEIGHTS

Weight : 0,135 kg

### MODULAIR 105



- ① Mounting with top bracket (accessory) and mounting ring
- ② Mounting with 2 side brackets (accessory)
- ③ 40 mm dia. pressure gauge