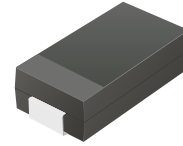


CSFA102-G Thru. CSFA105-G

Reverse Voltage: 100 to 600 Volts

Forward Current: 1.0 Amp

RoHS Device

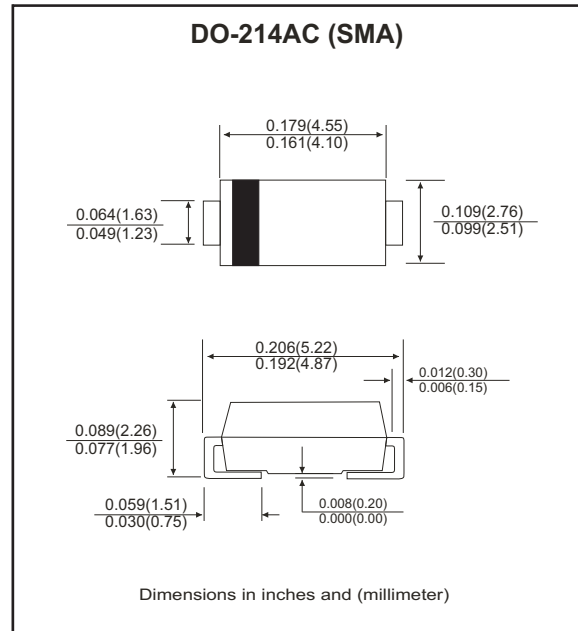


Features

- Glass passivated chip.
- Low forward voltage.
- High current capability.
- High reliability.
- High surge current capability.
- High speed switching

Mechanical data

- Case: SMA, molded plastic.
- Epoxy: UL 94V-0 rate flame retardant.
- Lead: Solderable per MIL-STD-750, method 2026.
- Polarity: Color band denotes cathode end.
- Approx. weight: 0.069 grams



Circuit Diagram



Maximum Ratings and Electrical Characteristics (at TA=25°C unless otherwise noted)

Parameter	Symbol	CSFA 102-G	CSFA 103-G	CSFA 104-G	CSFA 105-G	Unit
Maximum repetitive peak reverse voltage @I _T = 5μA	V _B	100	200	400	600	V
Maximum RMS voltage	V _R	70	140	280	420	V
Maximum DC blocking voltage	V _{DC}	100	200	400	600	V
Maximum average forward rectified current @T _A =25°C	I _F	1.0				A
Maximum instantaneous forward voltage at specified current	V _F	0.95		1.25	1.50	V
Maximum DC reverse current	I _R	5.0				μA
Non-repetitive peak forward surge current @ t=8.3ms	I _{FSM}	30				A
Maximum reverse recovery time (Note 1)	t _{rr}	35			50	ns
Operating temperature range	T _J	-55 ~ +150				°C
Storage temperature range	T _{STG}	-55 ~ +150				°C

NOTES:

1. Reverse recovery test conditions: I_F=0.5A, I_R=1.0A, I_{RR}=0.25A(RGI circuit)

Company reserves the right to improve product design , functions and reliability without notice.

REV:B

RATING AND CHARACTERISTIC CURVES (CSFA102-G thru CSFA105-G)

Fig.1 - Forward Current Derating Curve

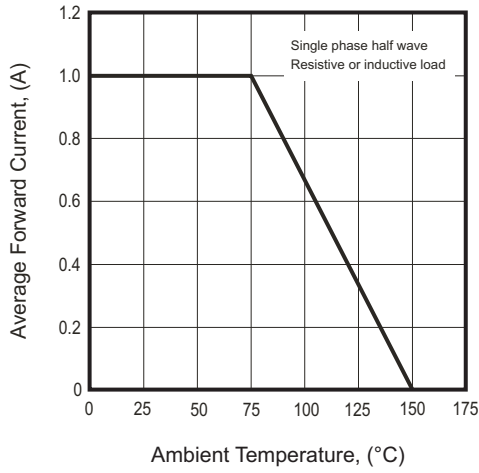


Fig.2 - Typical Forward Characteristics

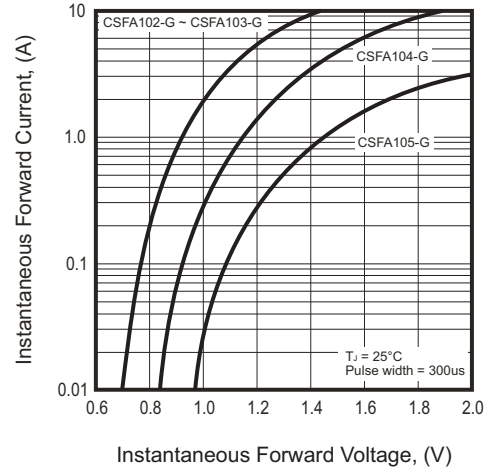


Fig.3 - Peak Forward Surge Current

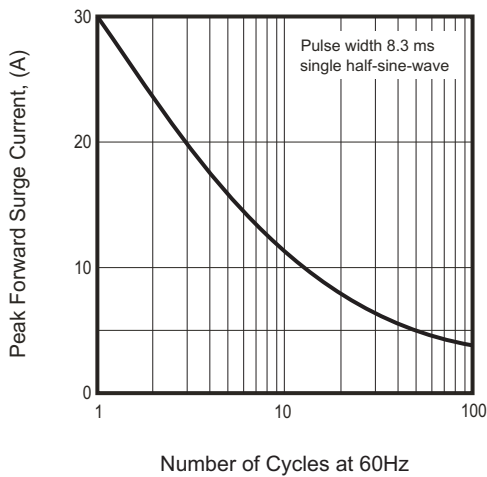
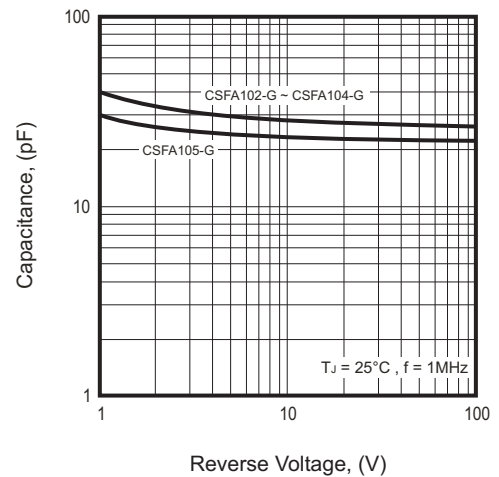
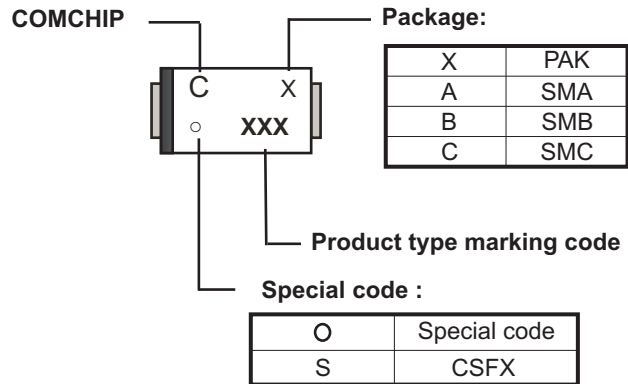


Fig.4 - Typical Junction Capacitance



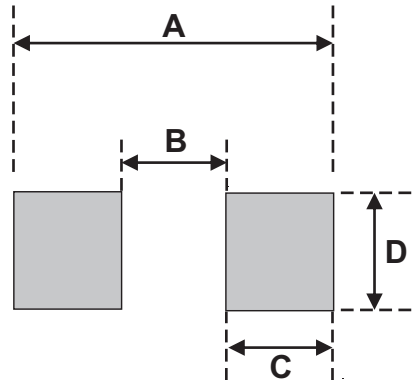
Marking Code

Part Number	Marking Code
CSFA102-G	102
CSFA103-G	103
CSFA104-G	104
CSFA105-G	105



Suggested PAD Layout

SIZE	DO-214AC(SMA)	
	(mm)	(inch)
A	5.28	0.208
B	1.88 MAX	0.074 MAX
C	1.52 MIN	0.060 MIN
D	1.68 MIN	0.066 MIN



Standard Packaging

Case Type	REEL PACK	
	REEL (pcs)	Reel Size (inch)
DO-214AC (SMA)	5,000	13

Mouser Electronics

Authorized Distributor

Click to View Pricing, Inventory, Delivery & Lifecycle Information:

[Comchip Technology:](#)

[CSFA105-G](#)