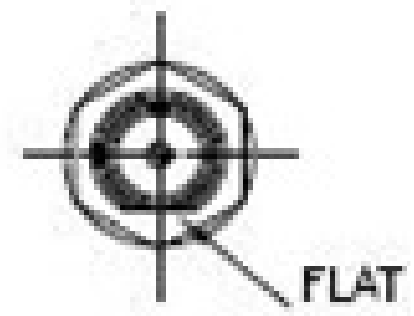
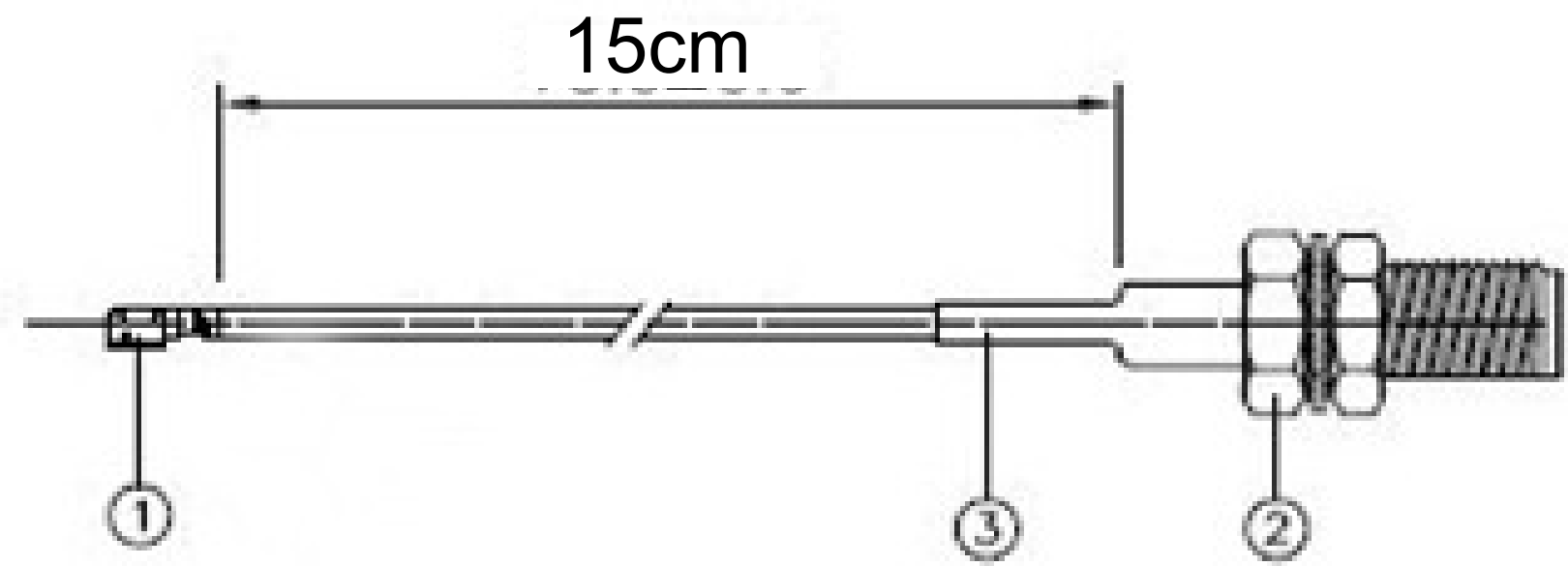
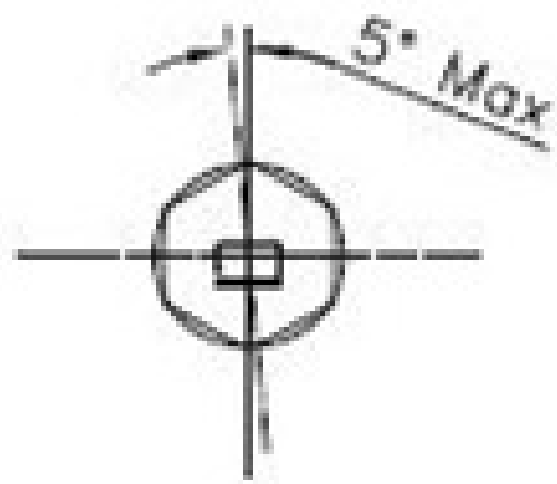


8 7 6 5 4 3 2 1

H
G
F
E
D
C
B
A



Notes

- 1. UFL Bulkhead Straight
 - 2. SMA (F) Bulkhead Straight
 - 3. Heatshrink
- VSWR (Max) : 1.5
 Cable RG178
 Freq Range : 45MHz - 6GHz
 Nominal Impedance: 50ohm
 RoHS compliant



All Dimensions in mm



NOT TO SCALE

DESCRIPTION				
Cable Assy ufl to SMA(F) Bulkhead cable				
Assy 15cm				
FILENAME	DRAWN BY	DATE	REVISED	PAGE
CBA-UFLSMA15-1.VSD	John Fairall		25/06/2015	1 of 1
REVISIONS				
ZONE	REV	DESCRIPTION	DATE	APPROVED
N/A	1	First Issue	1.5.15	
	2			
	3			
	4			
	5			
	6			

8 7 6 5 4 3 2 1