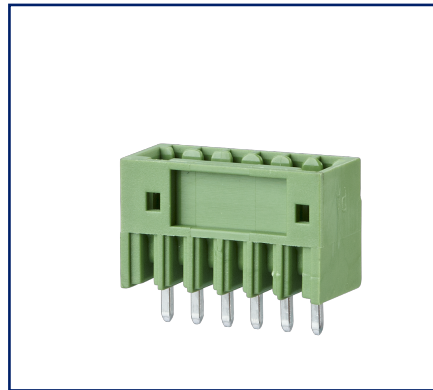
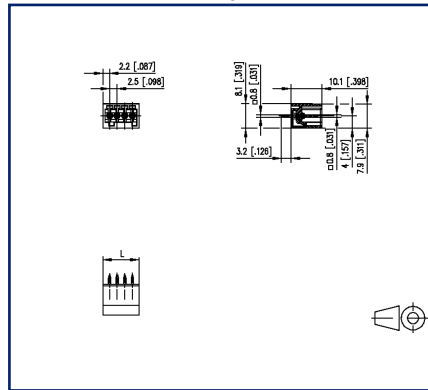


Data sheet
PT091xxVGBN Typ 373

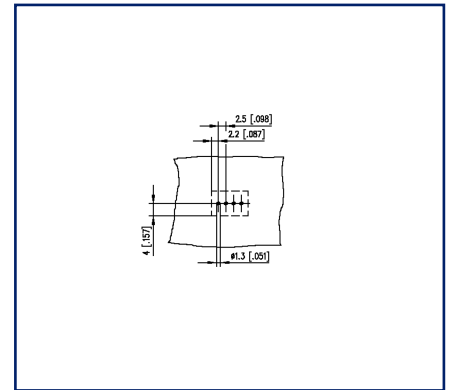
Illustrations



Dimensional drawing



Drill pattern





See enlarged drawings at the end of document

Product specification

- pin header, solderable
- centerline 2.50 mm, direction of connection vertical 0°
- closed ends
- color green

Technical Data

General Data			
Solder pin length	3.2 mm		
min. number of poles	2		
max. number of poles	12		
Insulating material class	CTI 600		
clearance/creepage dist.	1.7 mm		
Protection category	IP00		
Rated current	4 A		
Overvoltage category	III	III	II
Pollution degree	3	2	2
Rated voltage	80 V	320 V	320 V
Rated test voltage	2.5 kV	2.5 kV	2.5 kV
Approvals			
 V / A	150 / 5		
approval UL - File No.	E121004		
 1.5 mm ²	80 V / 2.5 kV / 6 A / 0.8 x 0.8 mm		
Material			
insulating material	PA66		
flammability class	V0		
contact pin material	CuFe		
contact pin surface	Ni + Sn		
Glow-Wire Flammability GWFI	960 °C acc. to IEC 60695-2-12		
Glow-Wire Flammability GWIT	775 °C acc. to IEC 60695-2-13		
REACH	compliant		
Climatic Data			
upper limit temperature	105 °C		
lower limit temperature	-40 °C		
general			
Tolerance	ISO 2768 -mH		
Solderability	Acc. to JEDEC JESD22-B102E 245°C/5s		

© 2022 METZ CONNECT - Technische Änderungen vorbehalten! Subject to modifications! Sous réserve de modifications techniques!

U | Contact

Data sheet
PT091xxVGBN Typ 373

Page 3/6

P/N
313731xx

xx=number of poles

2022/04/05

Version: S

Accessories

P/N	Designation
720062-01-8	F_Kodier_ASP051_rtf



U | Contact

Data sheet
PT091xxVGBN Typ 373

Page 4/6

P/N
313731xx

xx=number of poles

2022/04/05

Version: S

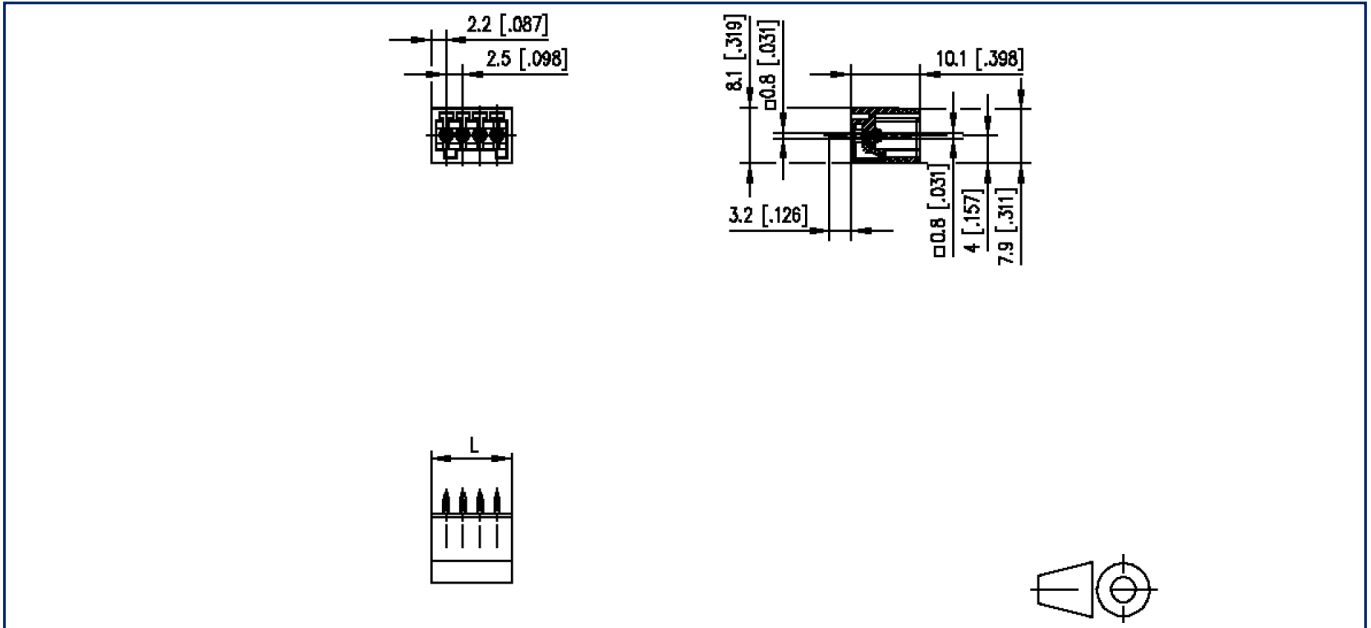
Counterpart of

P/N	Designation
ASP051	SP051xxVGNN ASP051



Illustrations

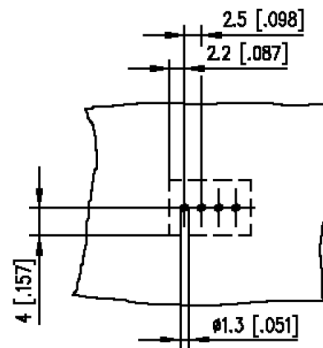
Dimensional drawing



$L = (\text{pole size} - 1) \times \text{centerline} + 4.4 \text{ mm} [0.173]$

Illustrations

Drill pattern



© 2022 METZ CONNECT - Technische Änderungen vorbehalten! Subject to modifications! Sous réserve de modifications techniques!