



PARA LIGHT ELECTRONICS CO., LTD.

11F., No. 8, Jiankang Rd., Zhonghe Dist., New Taipei City 235, Taiwan

Tel: 886-2-2225-3733

Fax: 886-2-2225-4800

E-mail: para@para.com.tw

www.paralighttaiwan.com

DATA SHEET

PART NO. :LT2835WDT-6070-BKS

REV : A/0

CUSTOMER'S APPROVAL : _____

DCC : _____

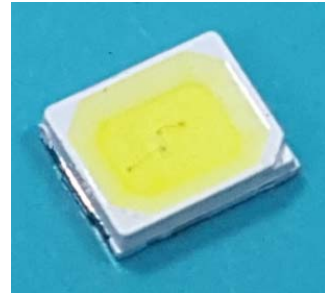
DRAWING NO. : DS-31P-19-0271

DATE : 2019-12-31

PAGE : 1

● **Features**

- PLCC-2 package.
- Suitable for all SMT assembly and solder process.
- High Luminous Intensity and high efficiency.
- Moisture sensitivity level:Level 4.
- Available on tape and reel.
- RoHS compliant.
- Pb-free.



● **Descriptions**

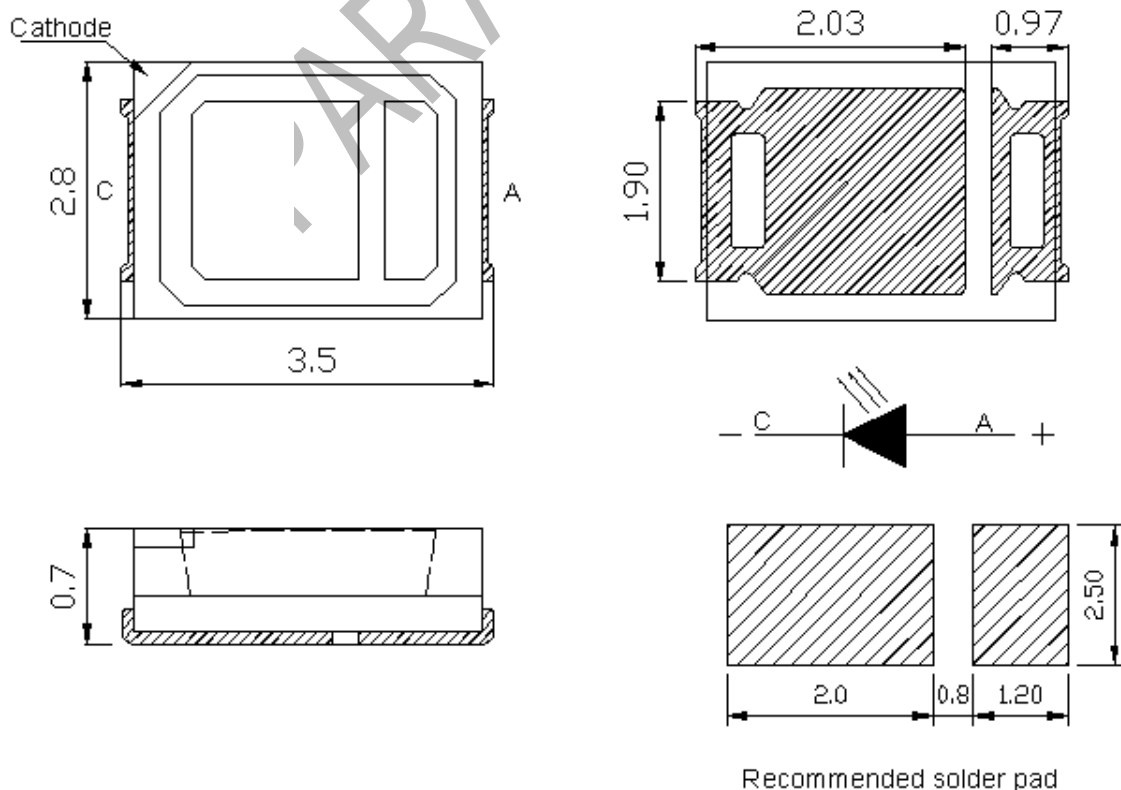
- Due to the package design, 2835 has wide viewing angle, low power consumption and white LEDs are devices which are materialized by combing Blue LEDs and special phosphors. This feature makes the LED ideal for light guide application.



● **Applications**

- Optical indicator
- Indoor display.
- Backlight for LCD,switch and symbol,display.
- General use.

● **Package Dimensions**





SURFACE MOUNT DEVICE LED

Part No.: LT2835WDT-6070-BKS

REV: A/0

Notes:

1. All dimensions are in millimeters (inches).
2. Tolerance is $\pm 0.254\text{mm}$ (0.01") unless otherwise specified.
3. Lead spacing is measured where the leads emerge from the package.
4. Specifications are subject to change with notice.

● Selection Guide

Part No.	Product P/N	Dice	Lens Type	Luminous Flux(lm) @60mA		Viewing Angle
				Min.	max.	θ1/2
LT2835WDT-6070-BKS	2.1.03.173	White (InGaN)	Yellow Diffused	22	28	120°

● Electrical and optical characteristics(Ta=25°C)

Parameter	Symbol	Min.	Typ.	Max.	Unit	Test Condition
Relative Color Temperature	Tc	6000	---	6500	K	IF =60mA
Color Rendition Index	Ra	70				IF =60mA
Forward Voltage	VF	2.7	---	3.5	V	IF =60mA
Reverse Current	IR	---	---	10	uA	VR=5V

Notes:

1. Luminous flux is measured with a light sensor and filter combination that approximates the CIE eye-response curve.
2. θ1/2 is the off-axis angle at which the luminous intensity is half the axial luminous intensity.
3. The dominant wavelength, λd is derived from the CIE chromaticity diagram and represents the single wavelength which defines the color of the device.

● Absolute Maximum Ratings At Ta=25°C

Parameter	Symbol	Rating	Unit
Power Dissipation	Pd	210	mW
Peak Forward Current (1/10 Duty Cycle, 0.1ms Pulse Width)	IFP	100	mA
DC Forward Current	IF	60	mA
Reverse Voltage	VR	5	V
Electrostatic Discharge(HBM)	ESD	2000	V
Operating Temperature Range	Topr	-40°C ~ + 85°C	
Storage Temperature Range	Tstg	-40°C ~ +100°C	
Soldering Condition	Tsol	Reflow soldering : 260°C For 5 Seconds Hand soldering: 300°C For 3 Seconds	

Notes:

- 1.1/10 duty cycle,0.1ms pulse width.
- 2.The above forward voltage measurement allowance tolerance is $\pm 0.1V$.
- 3.The above Relative Color Temperature allowance tolerance is $\pm 100K$.

● Typical electro-optical characteristics curves

Fig.1 Relative Intensity vs. Wavelength

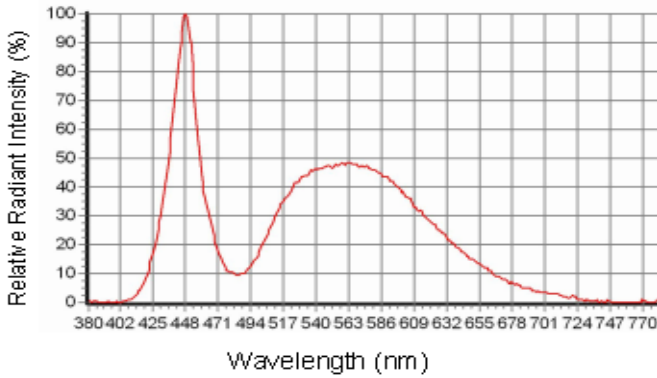


Fig.2 Forward Current vs. Ambient Temperature

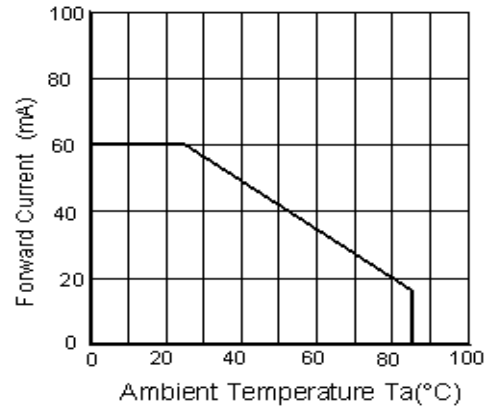


Fig.3 Forward Current vs. Forward Voltage

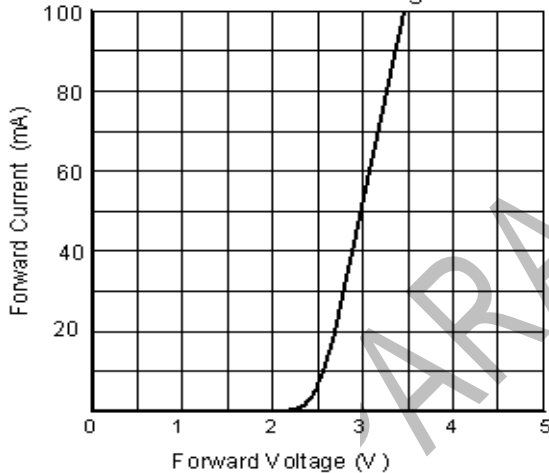


Fig.4 Relative Luminous Intensity vs. Ambient Temperature

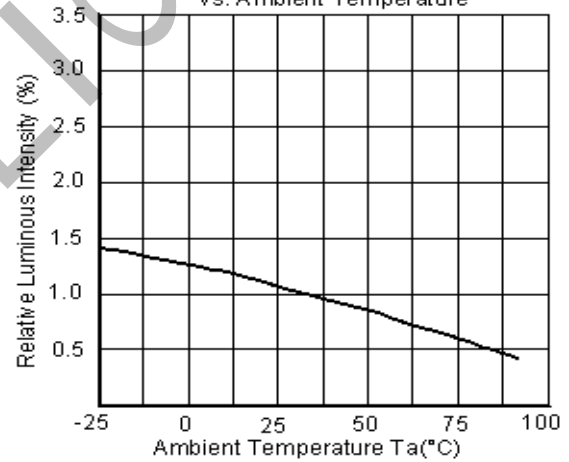


Fig.5 Relative Luminous Intensity vs. Forward Current

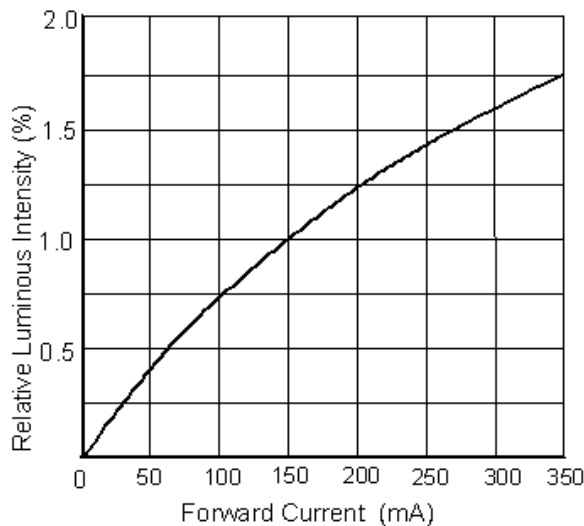
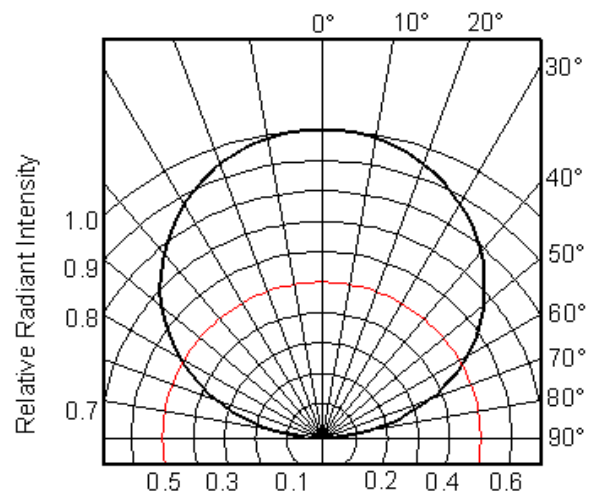


Fig.6 Radiation diagram(Ta=25°C)





SURFACE MOUNT DEVICE LED

Part No.: LT2835WDT-6070-BKS

REV: A/0

● Bin Code List

Forward Voltage(VF) @IF=60mA Unit : V

Bin Code	Min.	Max.
V11	2.9	3.0
V12	3.0	3.1
V13	3.1	3.2

Note:Tolerance for each Forward Voltage Bin is $\pm 0.05V$.

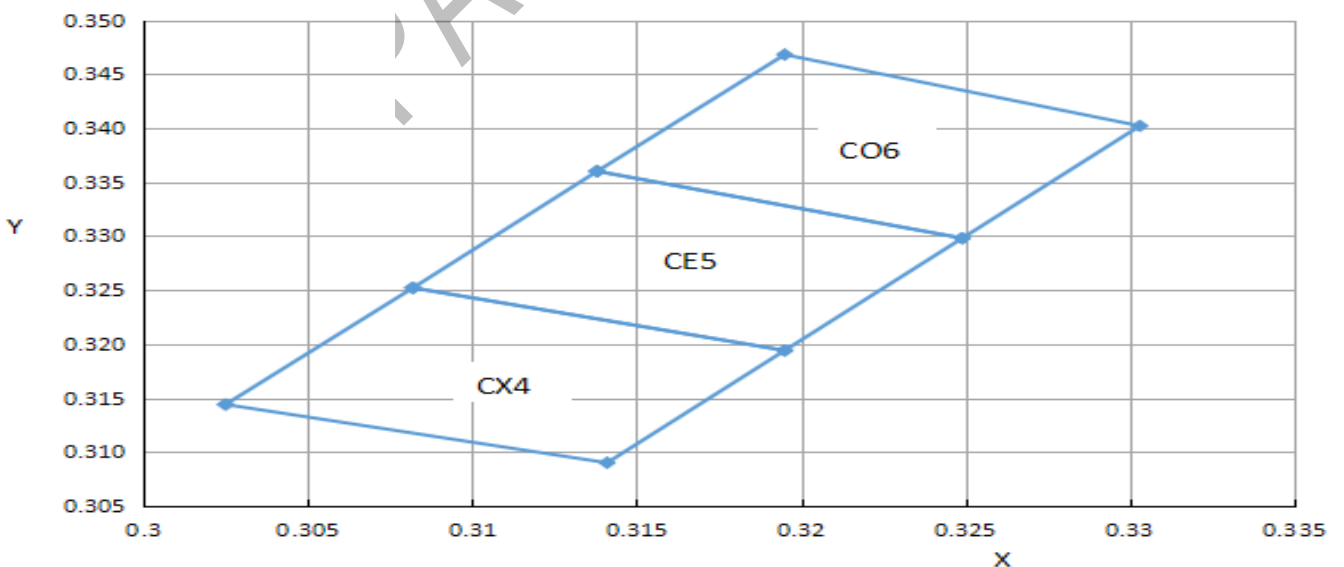
Luminous Flux(Φ_v) @IF=60mA Unit : lm

Bin Code	Min.	Max.
F17	22	24
F18	24	26
F19	26	28

Note:Tolerance for each Luminous Flux Bin is $\pm 10\%$.

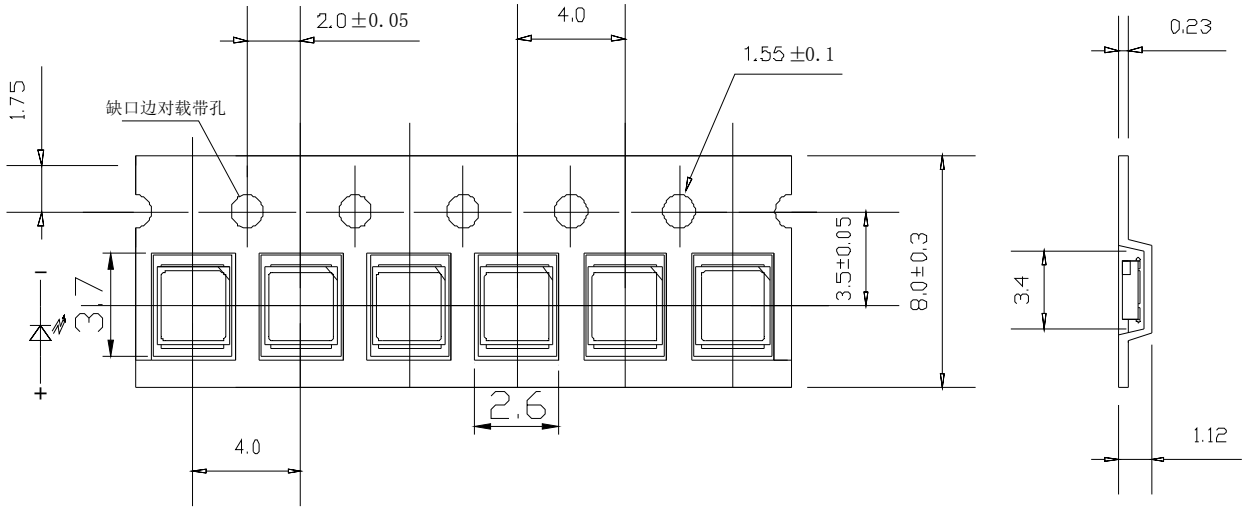
Color Bins

Bin	X	Y	Bin	X	Y	Bin	X	Y
CX4	0.3025	0.3144	CE5	0.3082	0.3252	CO6	0.3138	0.336
	0.3082	0.3252		0.3138	0.336		0.3195	0.3468
	0.3195	0.3194		0.3249	0.3298		0.3303	0.3402
	0.3141	0.309		0.3195	0.3194		0.3249	0.3298

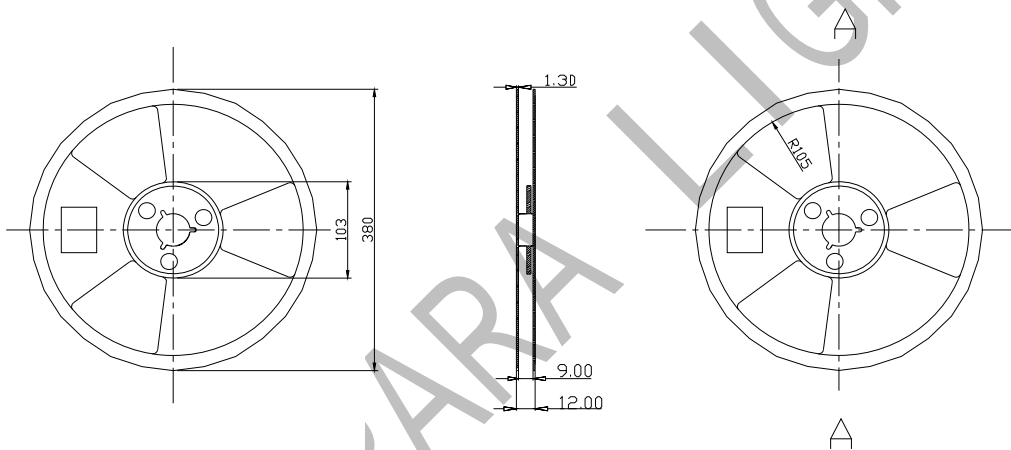


Note:Tolerance for each relative color temperature Bin is $\pm 100K$.

● Packaging

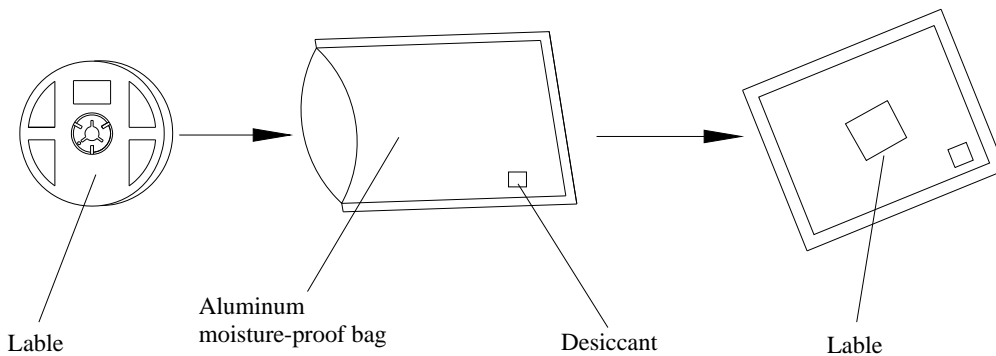


Note: Tolerance unless mentioned is ±0.1mm; Unit = mm.



Carrier Tape Dimensions: Loaded Quantity 4000 pcs Per Reel.

● Moisture Resistant Packaging





SURFACE MOUNT DEVICE LED

Part No.: LT2835WDT-6070-BKS

REV: A/0

Reliability Test Items and Conditions

The reliability of products shall be satisfied with items listed below.

Confidence level : 90%.

LTPD : 10%.

Items	Test Condition	Test Hours/ Cycles	Quantity	Ac/Re
Reflow Soldering	Temp. : 260°C±5°C Min. 5sec.	3times	22 PCS	0/1
Temperature Cycle	H : +85°C 30min. ∫ 5 min L : -40°C 30min.	300 Cycles	22PCS	0/1
Thermal Shock	H : +100°C 10min. ∫ 10 sec L : -40°C 10min.	100Cycles	22PCS	0/1
High Temperature Storage	Temp. : 100°C	1000Hrs	22PCS	0/1
Low Temperature Storage	Temp. : -40°C	1000Hrs	22PCS	0/1
Dc Life	IF =60mA	500Hrs	22PCS	0/1
High Temperature / High Humidity	85°C/ 85%RH	500Hrs	22PCS	0/1

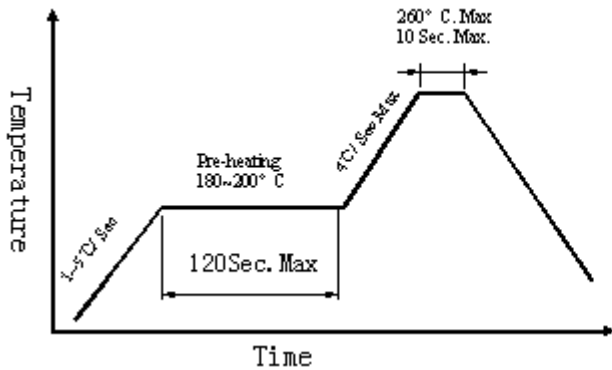
Failure Criteria

Test Items	Symbol	Test condition	Failure Criteria	
			Min.	Max.
Forward Voltage	VF	IF=60mA	---	(U.S.L*)×1.1
Reverse Current	IR	VR=5V	---	(U.S.L*)×2.0
Luminous Flux	Φv	IF=60mA	(L.S.L*)×0.7	---

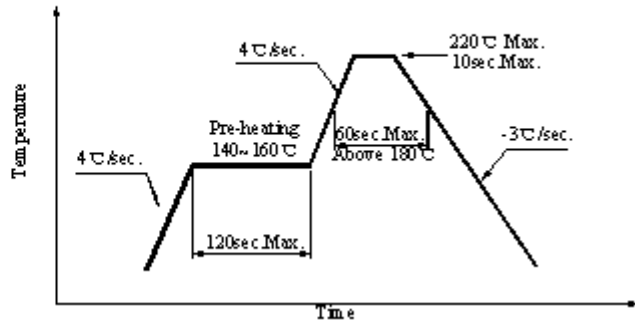
● Precautions for Use

● SMT Reflow Soldering Instructions

<Pb-free solder>



<Lead solder>



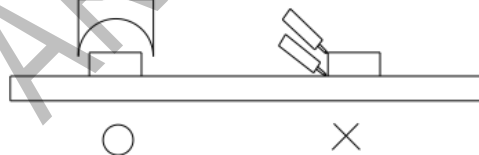
1. Reflow soldering should not be done more than two times
2. When soldering, do not put stress on the LEDs during heating

● Soldering Iron

1. When hand soldering, keep the temperature of iron below 300°C less than 3 seconds.
2. The hand solder should be done only one time.

● Repairing

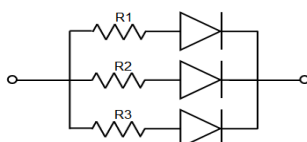
Repair should not be done after the LEDs have been soldered. When repairing is unavoidable, a double-head soldering iron should be used (as below figure). It should be confirmed in advance whether the characteristics of LEDs will or will not be damaged by repairing.



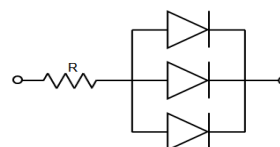
● Cautions

Application

1. A LED is a current-operated device. The slight shift of voltage will cause big change of current, which will damage LEDs. Customer should use resistors in series for the Over-Current-Proof.
2. In order to ensure intensity uniformity on multiple LEDs connected in parallel in an application it is recommended to use individual resistor separately, as shown in Circuit A below. The brightness of each LED shown in Circuit B might appear difference due to the differences in the I-V characteristics of those LEDs.



Circuit model A



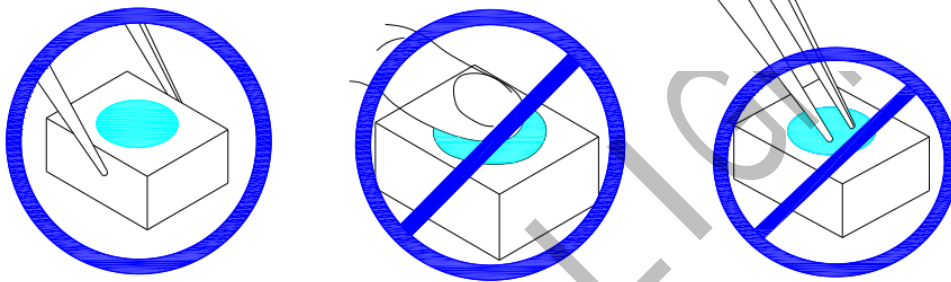
Circuit model B

High temperature may reduce LEDs' intensity and other performances, so keeping it away from heat source to get good performance is necessary.

Handling Precautions

Compare to epoxy encapsulant that is hard and brittle, silicone is softer and flexible. Although its characteristic significantly reduces thermal stress, it is more prone to damage by external mechanical force. As a result, special handling precautions must be observed during assembling using silicone encapsulated LED products. Failure to comply might lead to damage and premature failure of the LED.

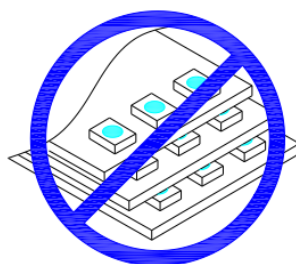
1. Handle the component along the side surface by using forceps or appropriate tools, do not directly touch or handle the silicone lens surface, it may damage the internal circuitry.



2. The outer diameter of the SMD pickup nozzle should not exceed the size of the LED to prevent air leaks. The inner diameter of the nozzle should be as large as possible. A pliable material is suggested for the nozzle tip to avoid scratching or damaging the LED surface during pickup. The dimensions of the component must be accurately programmed in the pick-and-place machine to insure precise pickup and avoid damage during production.



3. Do not stack together assembled PCBs containing LEDs. Impact may scratch the silicone lens or damage the internal circuitry.



4. Not suitable to operate in acidic environment, $\text{PH} < 7$.

**Storage**

1. Before opening original package, it is recommended to store them in the following environment: Temperature: $5^{\circ}\text{C} \sim 30^{\circ}\text{C}$ / Humidity: 85%RH max.
2. After opening original package, the storage ambient for the LEDs should be in $5 \sim 30^{\circ}\text{C}$ temperature and 60% or less relative humidity.
3. In order to avoid moisture absorption, it is recommended that the LEDs that out of the original package should be stored in a sealed container with appropriate desiccant, or in desiccators with nitrogen ambient.
4. The LEDs should be used within 168hrs (7 days) after opening the package. Once been mounted, soldering should be quick.
5. If the moisture absorbent material (silica gel) has faded away or the LEDs stored out of original package for more than 168hrs (7 days), baking treatment should be performed using the conditions: 60°C at least 24 hours.
6. More than two months of the products must be disassembled for high temperature baking at $150^{\circ}\text{C}/6$ hours before they can be produced.

ESD (Electrostatic Discharge)-Protection

A LED (especially the Blue、White and Green product) is an ESD sensitive component, and static electricity or power surge will damage the LED. ESD-damaged LEDs will exhibit abnormal characteristics such as high reverse leakage current, low forward voltage, or “no light-up” at low currents, etc.

Some advice as below should be noticed:

1. A conductive wrist strap or anti-electrostatic glove should be worn when handling these LEDs.
2. All devices, equipment, machinery, work tables and storage racks, etc. must be properly grounded.
3. Use anti-static package or boxes to carry and storage LEDs. And ordinary plastic package or boxes is forbidden to use.
4. Use ionizer to neutralize the static charge during handling or operating.
5. All surfaces and objects within 1 ft close to LEDs measure less than 100V.

Cleaning

Use alcohol-based cleaning solvents such as IPA (isopropyl alcohol) to clean LEDs if necessary.



SURFACE MOUNT DEVICE LED

Part No.: LT2835WDT-6070-BKS

REV: A/0

Others

- 1.The LEDs described here are intended to be used for ordinary electronic equipment (such as office equipment, communication equipment and household applications).Consult Gtlight's Sales in advance for the applications in which exceptional reliability is required, particularly when the failure or malfunction of the LEDs may directly jeopardize life or health. (such as in aviation, transportation, traffic control equipment, medical and life support systems and safety devices).
- 2.The light output from the high luminous intensity LEDs may cause injury to human eyes when viewed directly.
3. The appearance and specifications of the product may be modified for improvement without prior notice.

PARA LIGHT