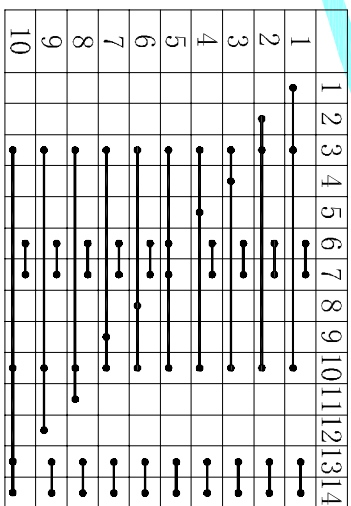
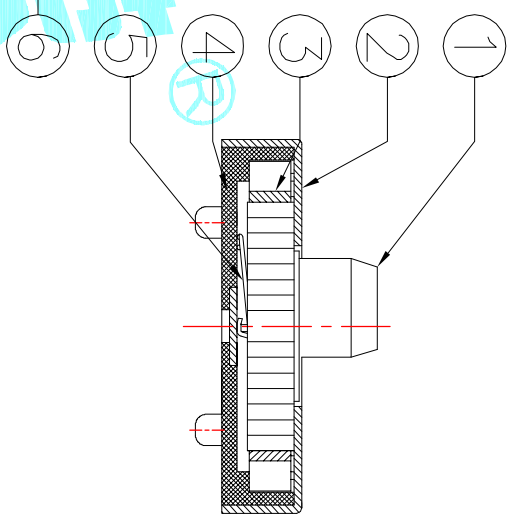


NOTE:  
Operating Force: 180±50 gf

P.C.B Mounting  
Pattern Dimension



Circuit Diagram

ITEM	PART NAME	TER.NO.	QTY.	MATERIAL	FINISHING	REMARK
⑥	Terminal	—	14	Brass(Q.15t)	Plating silver	—
⑤	Contact	—	1	F.Ag./Brass	Plating silver	—
④	Base	—	1	Nylon	Black	—
③	Spring plate	—	1	SUS	Natural	—
②	Cover	—	1	SUS	Natural	—
①	Keystroke	—	1	Nylon	Black	—

APPROVALS		DATE	TITLE:	
DRAWN	J.X.Zhang	2013/8/12	MULTIFUNCTIONAL SWITCHES	
CHECKED			ELECTRONICS CO.,LTD	
APPROVALS			PART NO. K1-1532SA-01	

ECN NO.	REV.	DATE.	DESCRIPTION.	CHANGE.	CHECK.	APPRO.	TOLERANCES ARE	ANGLE	UNIT:	SCALE:	PROJ:	SHEET
	A		NEW				30~±0.1	±0.30	mm	1:1	PROJ: 1532SA-01	1 OF 1
							10~±0.20	±0.20				
							5~±0.10	±0.15				
							~5	±0.10				