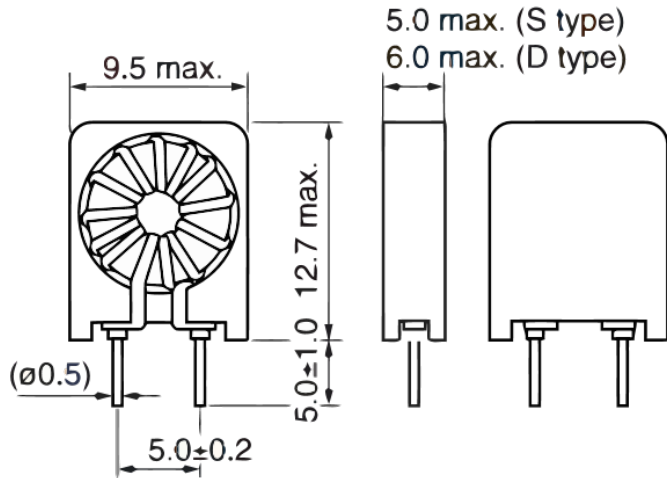


SNT-S20TF

Aliases (UDLSNTOS20TF00)

KEMET, SNT, DC Line Filters, Common Mode, 6000 nH



Click [here](#) for the 3D model.

Dimensions

L	9.5mm MAX
W	5mm MAX
T	5mm MAX
H	12.7mm MAX
LL	5mm +/-1mm
S	5mm +/-0.2mm

Packaging Specifications

Packaging	T&R
Packaging Quantity	1000
Component Weight	950 mg

General Information

Series	SNT
Style	Through-Hole
RoHS	Yes

Specifications

Inductance	6 uH
Temperature Range	-20/+60°C
DC Resistance	35 mOhms