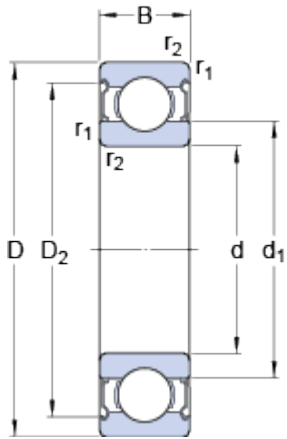


# 609-2Z

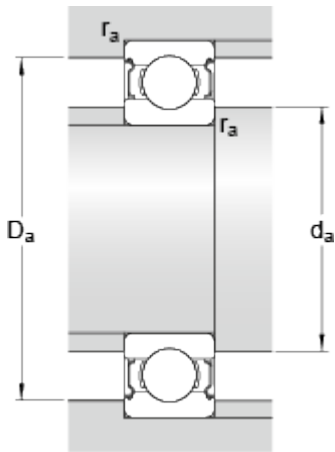
SKF Explorer

## Dimensions



$d$		9	mm
$D$		24	mm
$B$		7	mm
$d_1$	≈	14.45	mm
$D_2$	≈	21.2	mm
$r_{1,2}$	min.	0.3	mm

## Abutment dimensions



$d_a$	min.	11	mm
$d_a$	max.	14.3	mm
$D_a$	max.	22	mm
$r_a$	max.	0.3	mm

## Calculation data

Basic dynamic load rating	$C$	3.9	kN
Basic static load rating	$C_0$	1.7	kN
Fatigue load limit	$P_u$	0.071	kN
Reference speed		70000	r/min
Limiting speed		34000	r/min
Calculation factor	$k_r$	0.025	
Calculation factor	$f_0$	13	

## Mass

Mass bearing		0.0153	kg
--------------	--	--------	----