

# Customer Information Sheet

DRAWING No.: S1741-46R

SHEET 2 OF 2

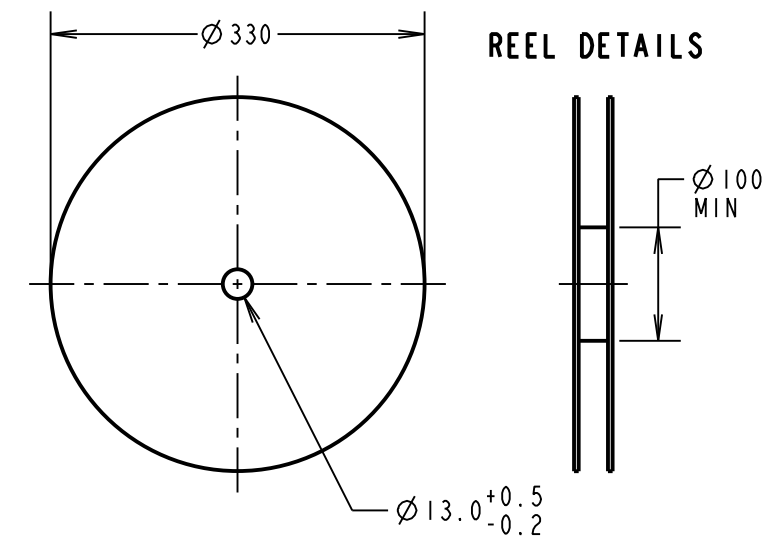
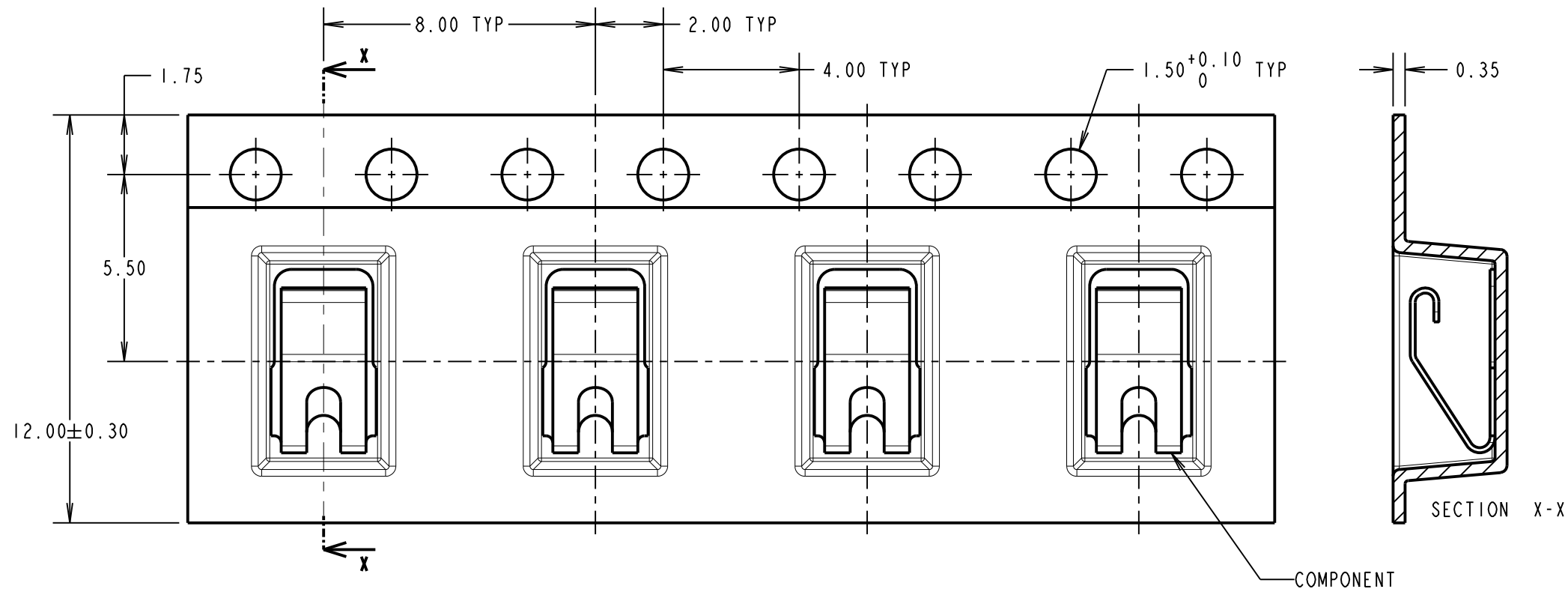
IF IN DOUBT - ASK

(C)

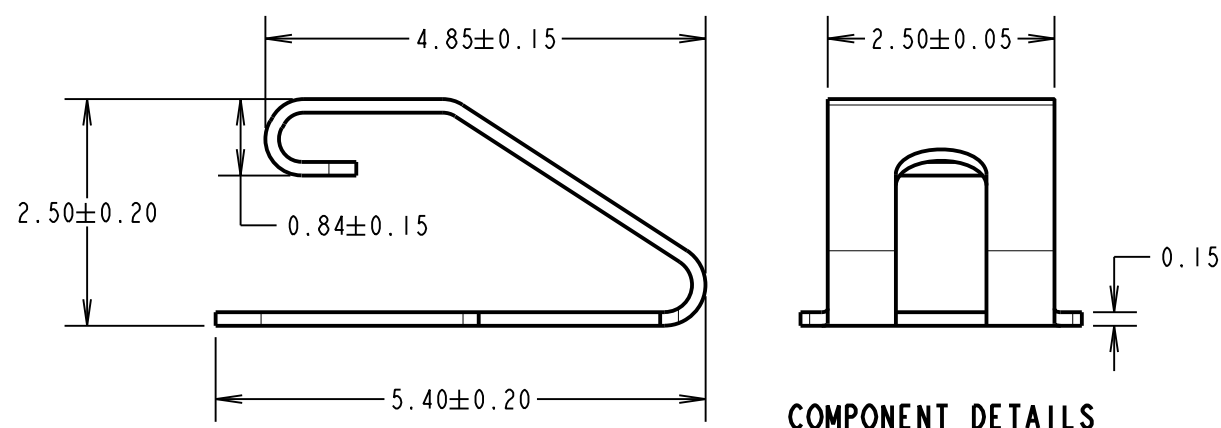
NOT TO SCALE

THIRD ANGLE PROJECTION

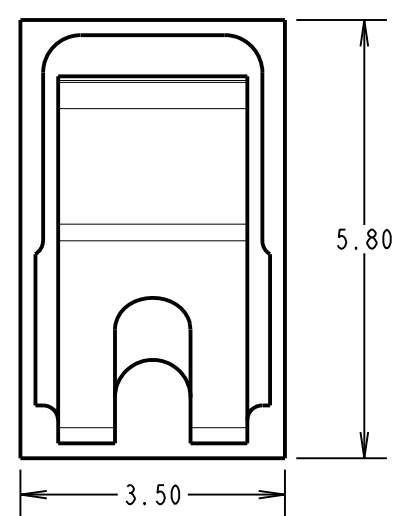
ALL DIMENSIONS IN mm



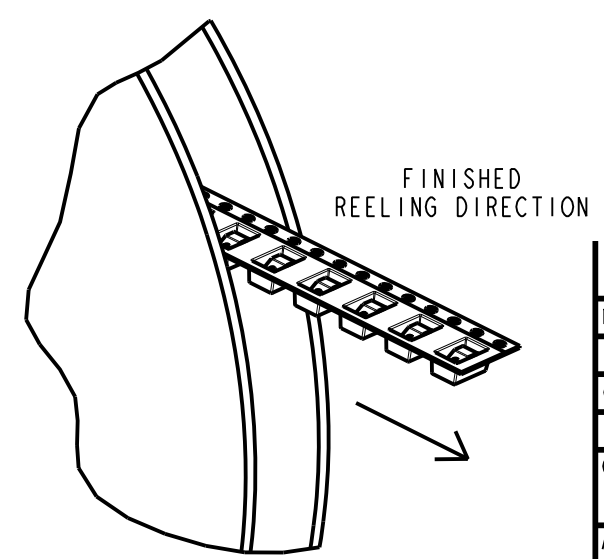
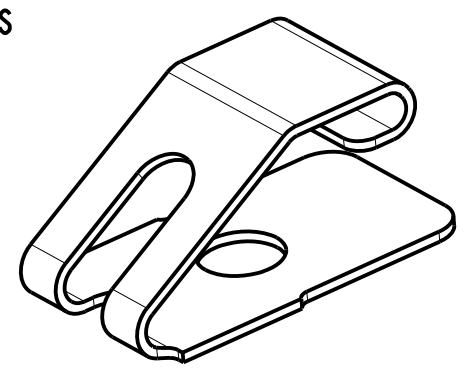
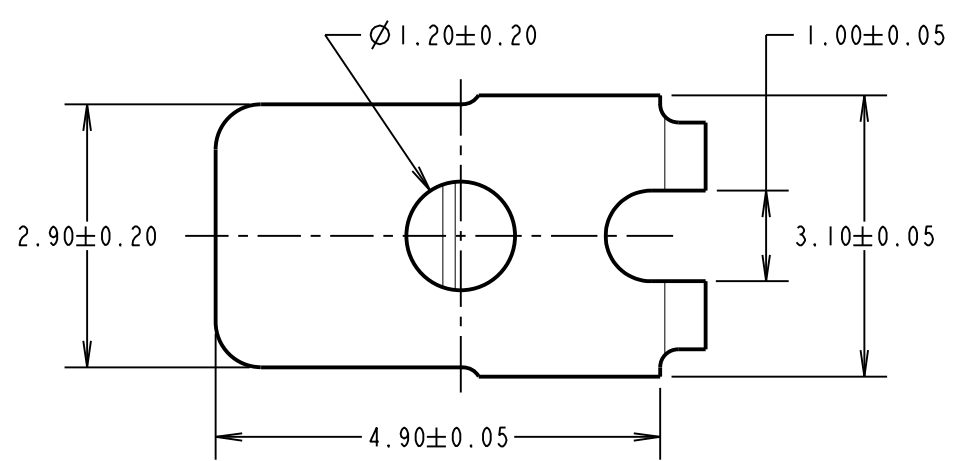
- NOTES:
1. QUANTITY PER REEL = 2500.
  2. THIS PRODUCT IS TAPED AND REELED IN ACCORDANCE WITH EIA-481 (ELECTRONIC INDUSTRIES ASSOCIATION).



RECOMMENDED PAD LAYOUT



COMPONENT SPECIFICATION:  
 MATERIAL = PHOSPHOR BRONZE  
 FINISH = 4μ BRIGHT 100% TIN OVER 2μ NICKEL  
 RECOMMENDED WORKING HEIGHT = 1.75mm / MIN FORCE = 1.5N  
 MINIMUM WORKING HEIGHT = 1.50mm / MAX FORCE = 3.0N  
 ELECTRICAL:  
 CURRENT RATING = 6A



SB	2	28.06.13	12074
NAME	ISS.	DATE	C/NOTE
APPROVED:		S.BENNETT	
CHECKED:		S.FLOWER	
DRAWN:		N.CODLING	
CUSTOMER REF.:			
ASSEMBLY DRG:			

<p>www.harwin.com technical@harwin.com</p>	<p>THIS DRAWING AND ANY INFORMATION OR DESCRIPTIVE MATTER SET OUT HEREON ARE CONFIDENTIAL AND COPYRIGHT PROPERTY OF THE HARWIN GROUP AND MUST NOT BE DISCLOSED, LOANED, COPIED OR USED FOR MANUFACTURING, TENDERING OR FOR ANY OTHER PURPOSE WITHOUT THEIR WRITTEN PERMISSION.</p>	<p>TOLERANCES</p> <p>X. = ±1mm                  X.X = ±0.25mm                  X.XX = ±0.10mm                  X.XXX = ±0.01mm</p> <p>ANGLES = ±5°                  UNLESS STATED</p>	<p>MATERIAL:</p> <p>SEE ABOVE</p>	<p>TITLE:</p> <p>S1741-46 SMT CONTACT IN TAPE AND REEL</p>
			<p>FINISH:</p> <p>SEE ABOVE</p>	<p>DRAWING NUMBER:</p> <p>S1741-46R</p>
			<p>S/AREA:</p> <p>mm<sup>2</sup></p>	<p>SHT</p> <p>2 OF 2</p>