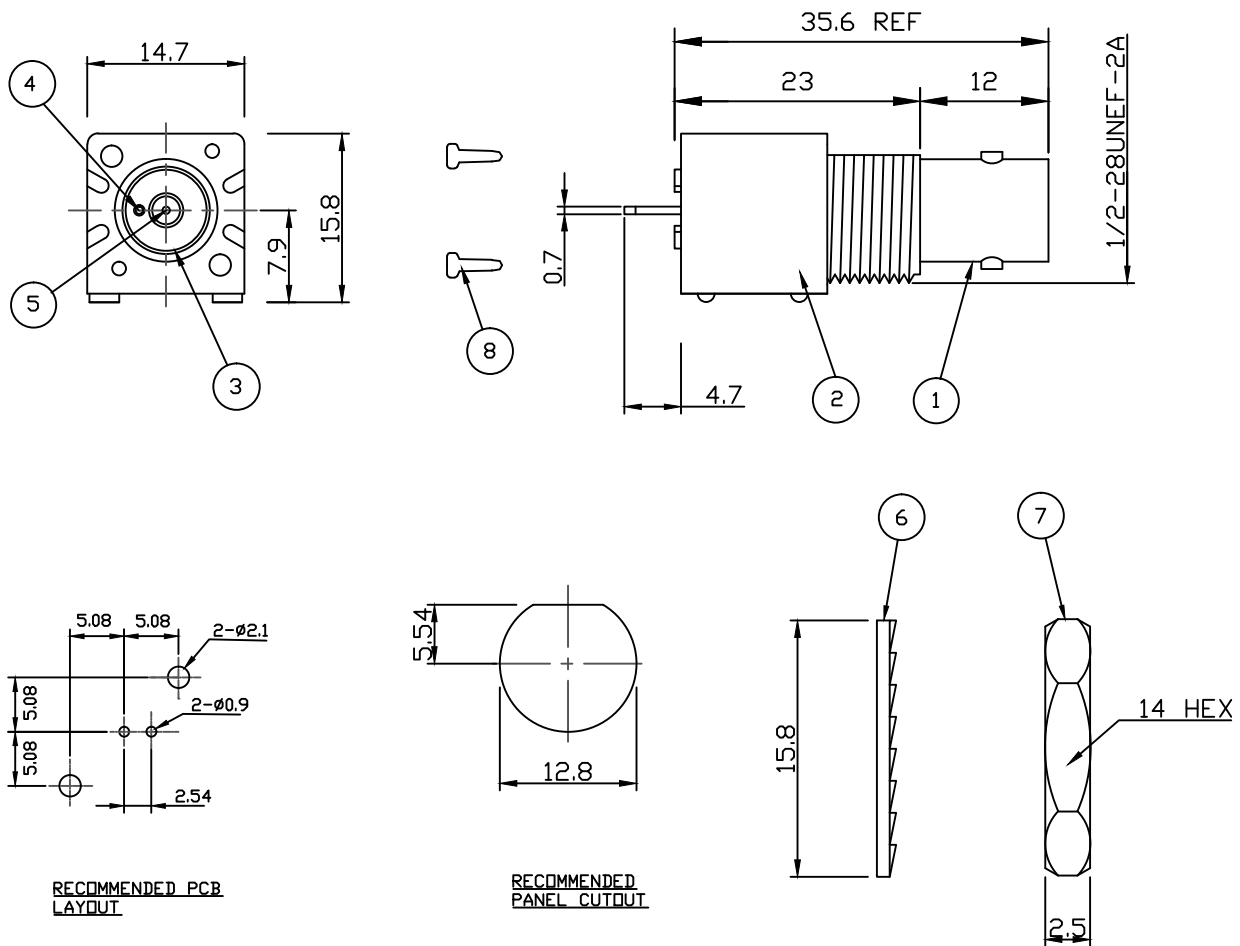


RoHS COMPLIANT



RECOMMENDED PCB LAYOUT

RECOMMENDED PANEL CUTOUT

Note: To be supplied with Mounting Screws.

Electrical Characteristics

Nominal Impedance:	50 ohms
Frequency Range:	DC to 1 GHz
VSWR:	1.3:1 maximum
Insertion Loss:	0.2 dB at 1 GHz
Operating Voltage (rms):	500 V maximum at sea level
Dielectric Withstand Voltage (rms):	1500 V maximum at sea level
Contact Resistance:	3.0 milliohms maximum
Insulation Resistance:	5000 megohms minimum

Mechanical Characteristics


Mating Cycles:	500 cycles minimum
Interface Dimensions:	Conform to MIL-C-39012

Environmental Characteristics

Temperature Range:	-55 °C to +85 °C
--------------------	------------------

REF.	DESCRIPTION	MATERIAL	PLATING
1	Shell	Zinc Alloy	Nickel
2	Body	P.B.T. White	
3	Insulator	PE-606	
4	Ground terminal	Copper Tin	Tin
5	Socket contact	Phosphor Bronze	Gold
6	Lock washer	Steel	Nickel
7	Hex Nut	Brass	Nickel
8	Screw	Steel	Nickel

DESCRIPTION OF REVISION	APPVD	ISS	DATE
Dimension/Title/Material Update	JC	6	07 Oct 15
Drawing Update	JC	5	10 Sept 15
ECN 2015-007	JC	4	11 Aug 15
PCB Layout	MS	3	28 Aug 09
CAD Issue	SN	2	07 Feb 02
First Issue	DH	1	06 Jan 98

 <p>CINCH CONNECTIVITY SOLUTIONS 11 Bilton Road, Chelmsford, Essex, CM1 2UP, UK. Tel: +44 (0) 1245 359515 Fax: +44 (0) 1245 358938</p>	SCALE: Not To Scale	DRAWN BY: S Nash	<p>TITLE: Insulated BNC Vertical PCB Mount Jack. Self-tap PBT body with supplied screws.</p>	<p>PART NUMBER: VBI302</p>
	DIMENSIONS: mm	CHECKED BY: S Nash		
	TOLERANCES: ± 0.2mm unless otherwise stated	APPROVED BY: M Nielsen		
	DATE: 07 Feb 02			
PAGE: 1 of 1				

Mouser Electronics

Authorized Distributor

Click to View Pricing, Inventory, Delivery & Lifecycle Information:

[Cinch Connectivity Solutions:](#)

[VBI302](#)