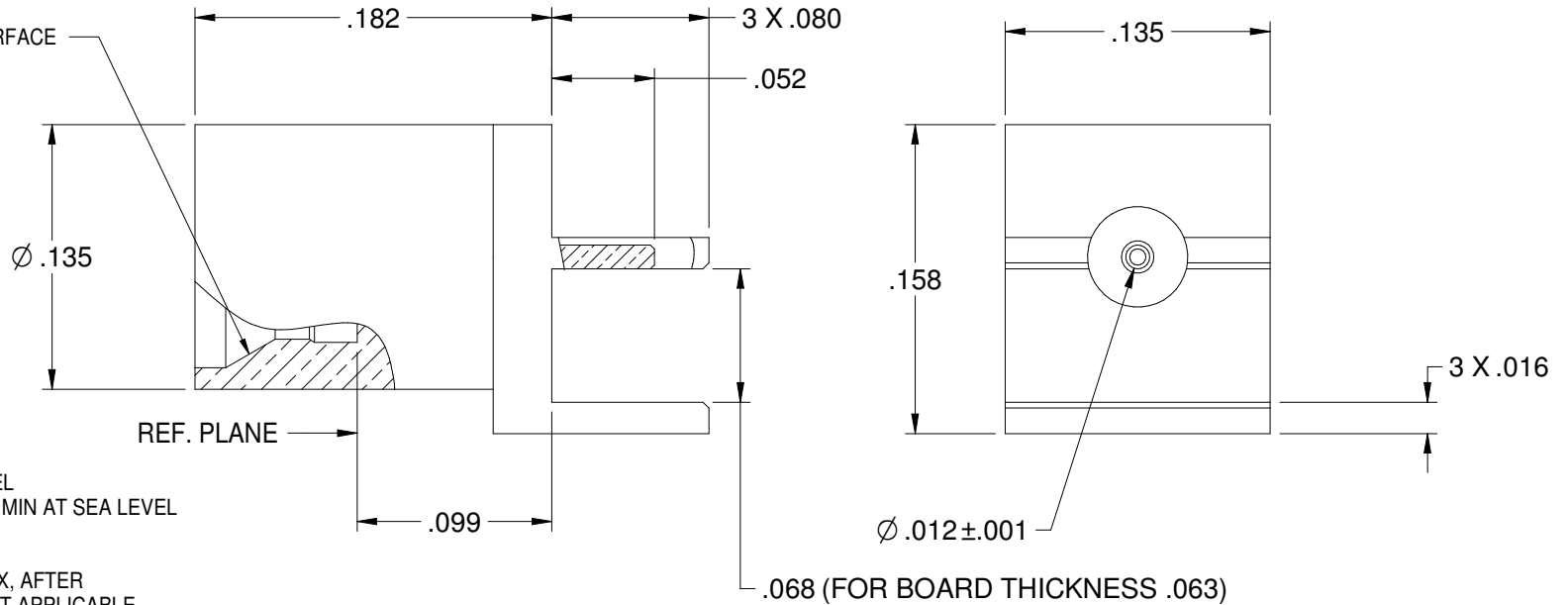


REV	ECO	DATE
0	ECO-18-XXXX	4/9/2018

PART NUMBER	ITEM ① BODY	ITEM ② CONTACT	ITEM ③ INSULATOR
125-0701-811	BERYLLIUM COPPER GOLD PL .00005 MIN OVER NICKEL PL.00005 MIN OVER COPPER	BERYLLIUM COPPER GOLD PL .00005 MIN OVER NICKEL PL.00005 MIN OVER COPPER	TEFLON

SMPM FULL DETENT INTERFACE  
PER MIL-STD-348



**SPECIFICATION:**

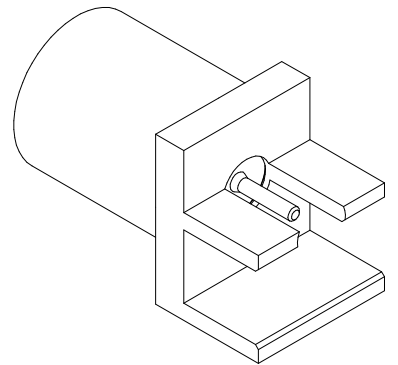
IMPEDANCE: 50 OHMS  
 FREQUENCY RANGE: 0-26.5 GHz  
 VSWR: DEPENDANT ON APPLICATION  
 WORKING VOLTAGE: 325 VRMS MAX AT SEA LEVEL  
 DIELECTRIC WITHSTANDING VOLTAGE: 325 VRMS MIN AT SEA LEVEL  
 INSULATION RESISTANCE: 5000 MEGOHM MIN  
 CONTACT RESISTANCE:  
 CENTER CONTACT - INITIAL 6 MILLIOHM MAX, AFTER ENVIRONMENTAL NOT APPLICABLE  
 OUTER CONDUCTOR - INITIAL 2 MILLIOHM MAX, AFTER ENVIRONMENTAL NOT APPLICABLE  
 RF LEAKAGE: NOT APPLICABLE

**MECHANICAL:**

ENGAGEMENT FORCE: 4.5 LBS TYPICAL  
 DISENGAGEMENT FORCE: 6.5 LBS TYPICAL  
 CONTACT RETENTION: 1.3 LBS MIN AXIAL FORCE  
 DURABILITY: 100 CYCLES MIN

**ENVIRONMENTAL:**

OPERATING TEMPERATUR: -65 TO 165 °C  
 THERMAL SHOCK: MIL-STD-202, METHOD 107, CONDITION B  
 MECHANICAL SHOCK: MIL-STD-202, METHOD 213, CONDITION I  
 CORROSION: MIL-STD-202, METHOD 101  
 VIBRATION: MIL-STD-202, METHOD 204  
 MOISTURE RESISTANCE: MIL-STD-202, MEHTOD 106, EXCEPT STEP 7B



	Material:	Model No.	125-0701-811	<b>JOHNSON</b> Title: SMPM MALE FULL DETENT EDGE MOUNT FOR .063 BOARD THICKNESS Drawing No. 125-0701-811 Rev. 0	
	SEE NOTE	RoHS2	2011/65/EU		
<small>The PROPRIETARY Document is property of Cinch Connectivity Solutions, Inc. and its subsidiaries. It is to be used with the clear understanding that Cinch Connectivity Solutions and its subsidiaries are not responsible for any misuse or misinterpretation of this document.</small> INTERPRET DRAWING IN ACCORDANCE WITH ASME Y14.5-2009	SEE NOTE UNLESS OTHERWISE SPECIFIED: FINISH: X ±0.2 XX ±0.1 XXX ±0.07 ANGLES ±2 DEG	3RD ANGLE PROJECTION 	Drawn by: R.SHEN Date: 4/9/18	Size: B DO NOT SCALE DRAWING	Sheet 1 of 1